

SMARTair *i-reader*

Wireless Online, Update on Card & Openow



ASSA ABLOY

Next generation wall reader for Update on card, Wireless system and Openow, suitable for automated doors, turnstiles, barriers, elevators or any access in which the locking or blocking element is an automatism.

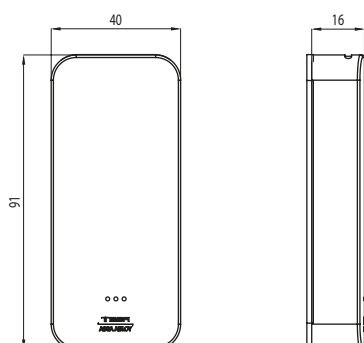
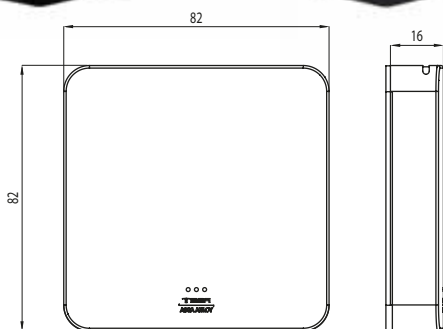
The wall reader is managed by a relay / control unit. The new *i-reader* is offered in two sizes: wide (*i-reader*) and narrow (*i-reader Design*), ensuring a suitable *i-reader* for each site.

Experience a safer and more open world

SMARTAIR®
Your Access. Your Control.

i-reader

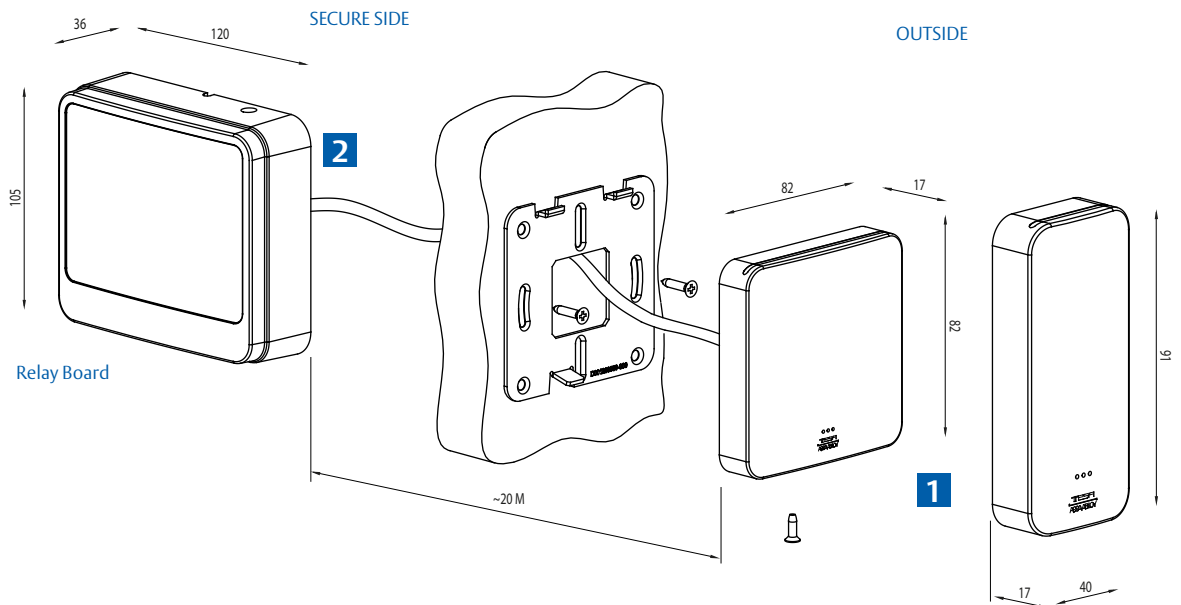
i-reader Design



Technical data - SMARTair *i-reader*

	Traffic volume	High
	Exterior usage	IP56 (Wall reader) Up to 85% humidity without condensation -20°C to +70°C
	Hardware compatibility and installation	To be combined with electromechanical devices to unlock the door (e.g. electric strike plates, electromagnetic locks)
	Power supply	12-24 VAC/VDC: powered through control/relay board Max power consumption (reader + relay board): 300mA @ 12V / 150mA @ 24V Class 6 UTP cable or higher between reader and control relay board Power supply and cable not included
	Multi-Technology	MIFARE Classic and Ultralight ISO 15693 SKIDATA DESFire Mobile Apps
	Certifications	CE (EMC, R&TTE), UKCA, ROHS, REACH, WEE, IP56 and IK09
	Mounting	Reader module compatible with standard electrical boxes. A back plate is included in the <i>i-reader</i> model if surface mounting is needed
	Upgradability	Wall readers can be upgraded on the field: <ul style="list-style-type: none"> To Openow-BLE by Openow activation card/s. No extra hardware is needed To Wireless Online by adding RF module to control/relay board
	Compatible mobile solutions	Openow® (Bluetooth Low Energy) TESA SMARTair
	Relay Board	Board, with one relay to manage the door blocking device and two extra inputs for: <ul style="list-style-type: none"> Request to exit button Door sensor

Electronic Technical Characteristics



1 Reader Module

- Upgradeable firmware
- Reading distance: 2-4 cm read/write distance standard RFID credentials. Barriers and gates open when a valid Openow credential is used up to 5 metres away — simple and safe for drivers
- 3 PIN connection is available to connect the portable programmer or PCTOLOCK adapter
- RFID reader with configurable LED (green/red/blue) and sound buzzer for different warning signals: access authorized or denied, etc.

2 Control unit

- Upgradeable firmware
- Non-volatile memory
- The wall reader can be programmed to operate in 3 modes:
 - Extended mode: 6500 users and 1200 events
 - Normal mode: 3000 users and 1200 events
 - High traffic door: unlimited number of users filtered into 48 groups (permissions)
- Real-time clock and calendar:
 - 30 time zones with 5 time periods (week days and holidays selectable)
 - 365 day calendar for define holidays
- Yearly calendar needs to be updated once a year via portable programmer / wireless.
- Automatic DST: Daylight Saving Time change. Updated with calendar
- Maintains clock/calendar for 8 hours without power supply

Operating modes:

- State tables: configure 20 changes of operating modes in a door per day
- Standard: Default operating mode. Closed until valid credential presented, then allows to open the door for 1 to 240 seconds (configurable)
 - Passage mode: door is always in open mode (configured by time zones or by authorized user after double badging)
 - Double user: Two valid credentials needed to open the door
 - First user: door in standard mode until first valid user enters, then will remain in passage mode

Special features:

People with disabilities (PWD) Standard with double opening time

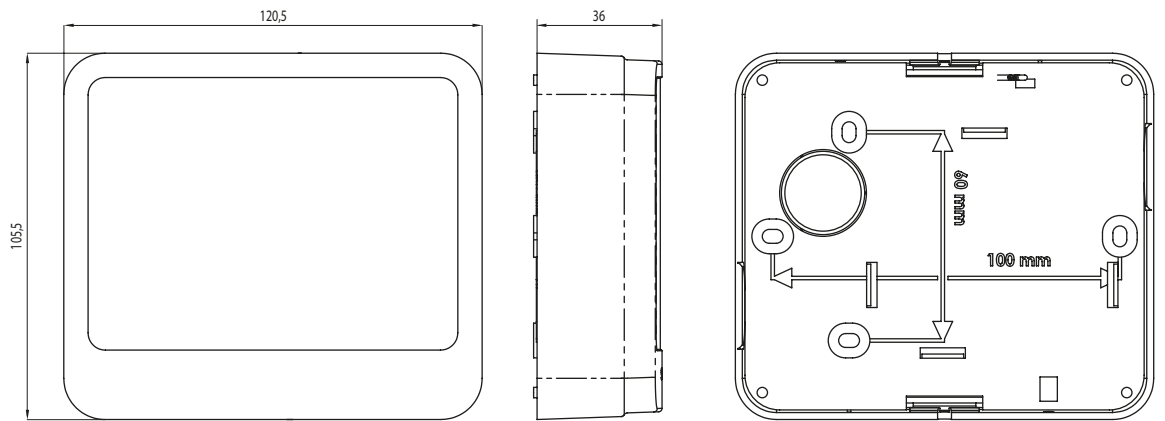
Wireless online:

- RF Module (connected to control/relay board):
- 868MHz, 902MHz, 915Mhz or 922MHz selectable in field
 - 30 configurable channels
 - Auto-link with communication Hubs (easy setup)

Openow:

Low Energy Bluetooth 5.1

Control / Relay Board



The relay board enables precise electrical control of the locking mechanism. Thanks to its design, the relay is physically separated from the reader, and secure, encrypted communication between the two ensures protection against unauthorized access.

- Box & mounting:
 - The relay board is supplied in a box that allows surface mounting
- The relay board is a new generation product with following connections:
 - Connector for reader
 - Power supply 12-24 AC/VDC connector
 - Door position (sensor not included): Intrusion or door left open will be reported.
 - Request to exit (push button not included)
 - 1 output relay (NO, C, NC) to command the electrical / electromechanical door device. The relay does not power the door device.
 - Wireless RF module connector

Relay Board



The ASSA ABLOY Group is the global leader in access solutions. Every day, we help billions of people experience a more open world.

ASSA ABLOY Opening Solutions leads the development within door openings and products for access solutions in homes, businesses and institutions. Our offering includes doors, door and window hardware, locks, access control and service.

assaabloy.com

ASSA ABLOY
Opening Solutions

Talleres de Escoriaza S.A.U.
Barrio de Ventas, 35
20305 Irún
Gipuzkoa – España
Tel: +34 916785507
comercial.smartair@tesa.es
www.tesa.es/en/smartair