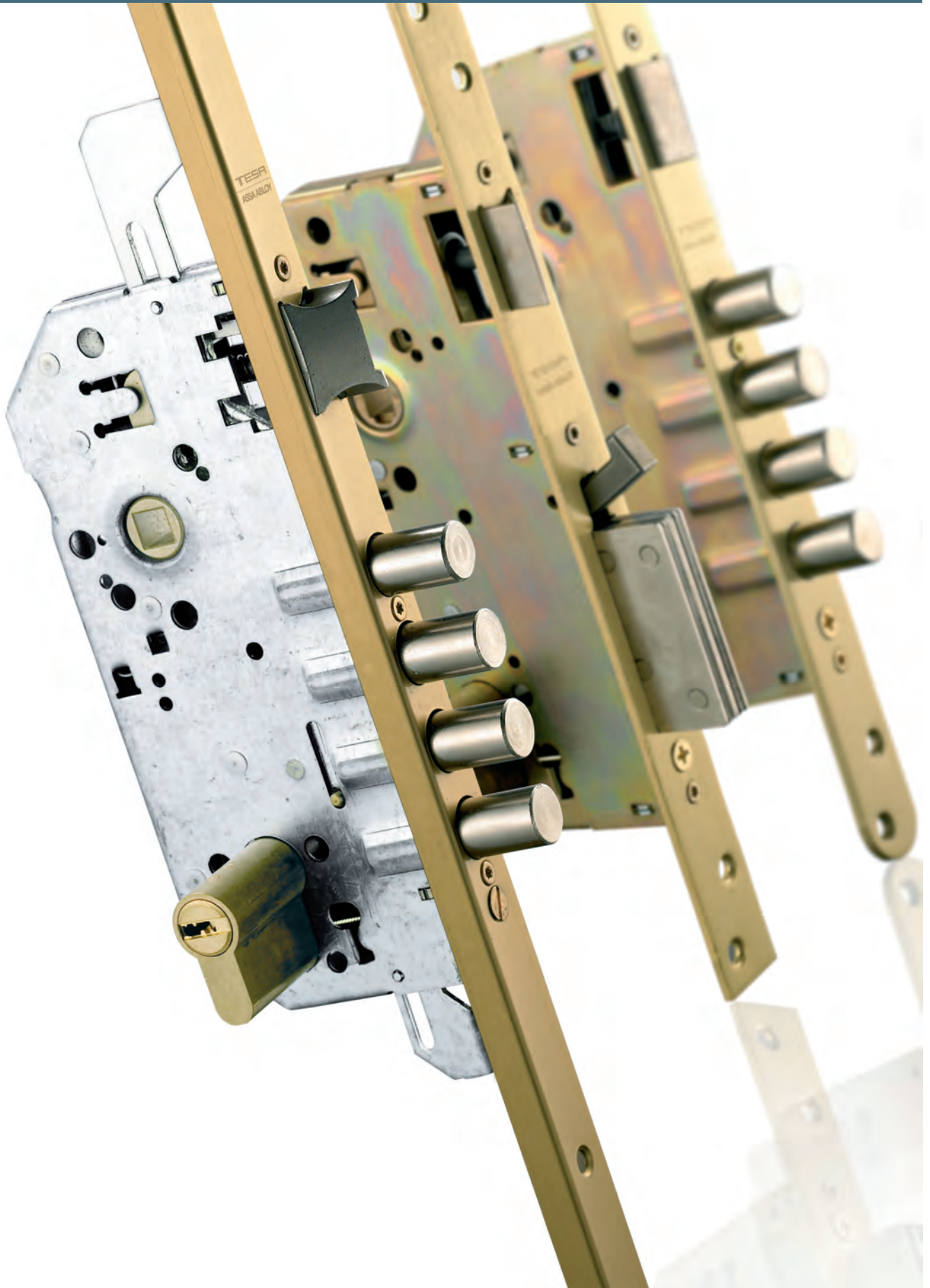


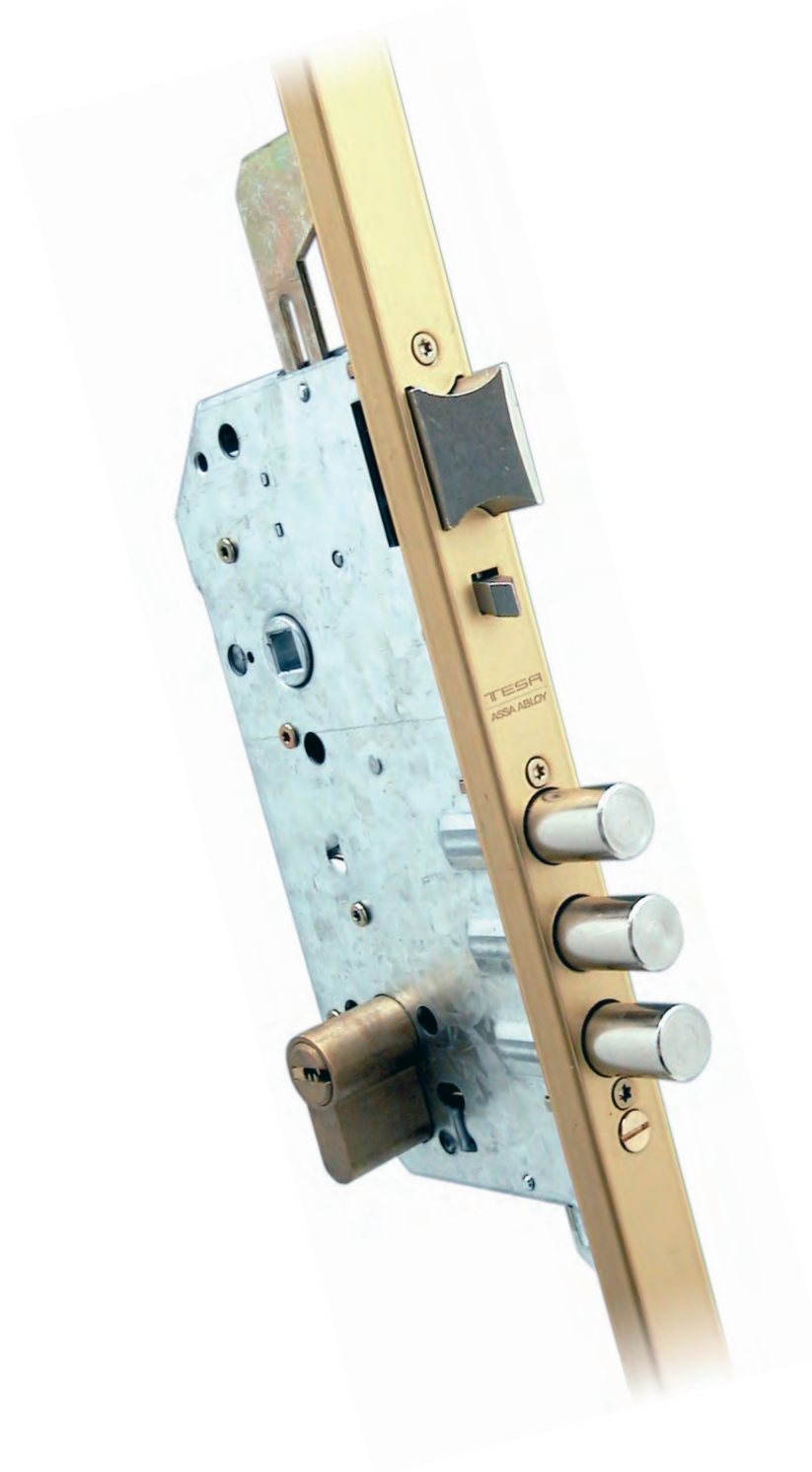
# Security locks

TESA

ASSA ABLOY



# The future generation of security locks



With the launch of the [TLP](#) range of multipoint locks for levers, [TESA ASSA ABLOY](#) created in the 80's the template for future security locks. Since then, there have been multiple innovations such as antisaw locking bolts, corner piece locks, antidrill escutcheons, improving what already was one of

the most complete ranges in the European security market.

But things have changed and now it's time to take another quantum leap towards big-time security with the [PLUS](#) and [PREMIUM](#) ranges.

### Big time security

TESA ASSA ABLOY locks provide unparalleled security levels in the market, as well as a new design of the patented anticard latch, independent locking points, hooks operating in two protection shafts in order to avoid leverage, leverage-resistance up to 1,000 kg, assembled steel boxes that protect the strike, antidrill escutcheons, revolving key protection devices...



### Innovation

Our advance I+D department is making a continuous effort to provide the market with new and better solutions that meet the increasingly demanding needs of the market. TESA ASSA ABLOY manufactures all its products with first-quality materials such as stainless steel, the standard material for fronts and strikes.



### Guaranteed by TESA ASSA ABLOY

Buying TESA ASSA ABLOY is a quality guarantee. All our products bear the highest quality warrants: the ISO 9001 Quality certificate, the environmentally conscious ISO 14001 standard, and the Occupational Hazard Prevention standard. TESA ASSA ABLOY offers an environmentally sustainable quality product, manufactured by dedicated staff.



### Finishes

Great diversity in finishes. Finishes in PVD, CM, STAINLESS, providing the trims with unusual hardness and high anticorrosion resistance, guaranteed by TESA ASSA ABLOY. Diversity in finishes: chrome, paint, nickel, brass, satin...



### Integral locking solution

One lock for each need, single-point and multipoint locks, various backsets and distances between shafts, various embellishments and escutcheons, finishes, packagings, customizations.



# Security levels

## Escutcheons

Product code	Anti-extraction	Anti-extraction revolving device	Antidrill protection cylinder	Antiextractor	Antidrill lock plate	Solid steel core	Antidrill balls
E800	■	■	■	■	■	■	■
E700	■	■	■	■	■	■	■
E700L	■	■	■	■	■	■	■
E300L	■	■	■	■	■	■	■

## Locks

Product code	Escutch. Cylinder	Escutcheon	Cylinder	Anticard	Hooks	Independent locking	Strike protection	Lever projection
XT PREMIUM	E800	T80	*****	■	■	■	■	■
TAB	E700	T60	****	■	■	■	■	■
TLPN	E700L	T60	***	■	■	■	■	■
TLPS	E300L	T60	***	■	■	■	■	■
TLB	E700L	T60	***	■	■	■	■	■
T2B	E300L	T60	*	■	■	■	■	■
CANB	E700L	T60	***	■	■	■	■	■

## TESA ASSA ABLOY concept for global security



High and low locking points in carbonitrided steel. Carbonitride is a surface treatment that provides extraordinary hardness.



RB03 hinge reinforcements: antisaw and antilever protection



Auxiliary locking points reinforced with a patented no-return system.



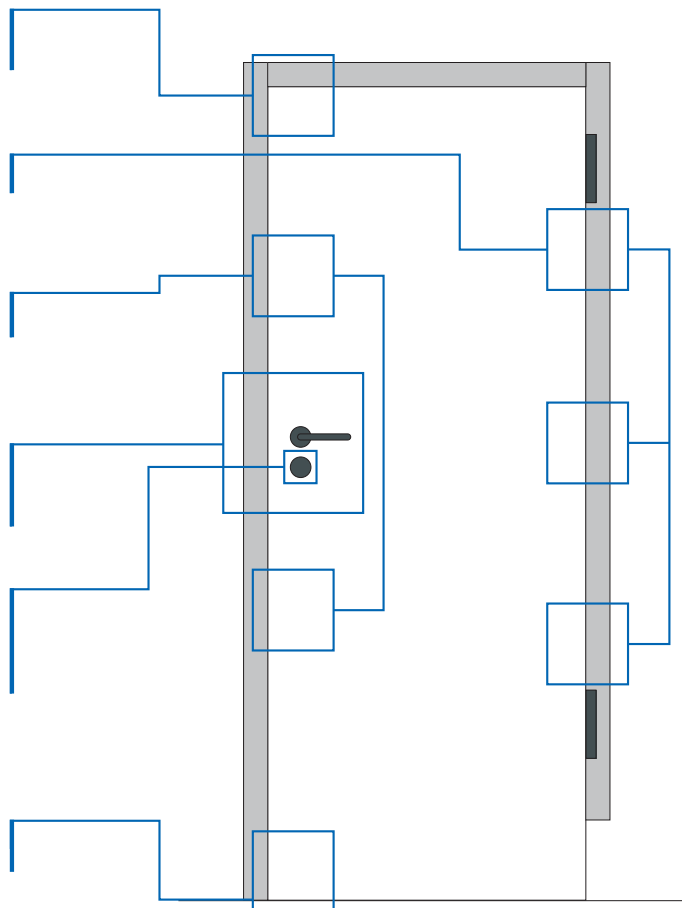
Central case with a reinforced device. Optional follower rod and steel latch for RF doors. Also available: PANIC exit device in TLBA, R20AB and TCBA series.



Security escutcheon, anti-extraction and antidrill protection. Tempered steel protection plate in the E700 escutcheon. Tempering provides the inner structure of the material with high antidrill hardness.



Floor strike with antidust protection.



## Contents

<b>Multipoint Security</b>	<b>6</b>	<b>Long strike plates</b>	<b>29</b>
XT Premium Series	6	Roller bolts	29
TAB automatic Series	7	Upper and down point lock (TLB5)	29
TMB motorized Series	8	5 frontal points lock (TLBF)	29
TMB motorized credentials	10	3 frontal locking points (TLB3)	29
CANB Series	11	Deadbolts	29
TLPN Series	12	Upper and down point lock (TLP5)	29
TLP5 Series	13	Upper and down point lock (TLP5)	29
TLB Series	14	5 frontal points lock (TLPF)	29
T2B Series	16	3 frontal locking points TLPN3 / TLP53	29
<b>Single point Security</b>	<b>17</b>	Upper and down pointlock TLPN5 / TLP55	29
R200B - R20AB - R201B Series	17	5 frontal points lock TLPF	29
R100B - R101B Series	18	<b>Short strike plates</b>	<b>30</b>
R200N - R201N Series	19	Roller bolts	30
Components	19	Deadbolt	31
<b>Panic security</b>	<b>20</b>		
R20AB lock	20		
TLBA lock	20		
TCBA lock	20		
<b>Single/multipoint rimlock</b>	<b>21</b>		
TS10 Series	21		
TS30 Series	21		
M750, Multifort rimlock	22		
<b>Singlepoint rimlock.</b>	<b>23</b>		
Deabolt	23		
2110 seires	23		
DIVA deadbolt	23		
<b>Rimlock / Supplements</b>	<b>24</b>		
Faceplate	24		
<b>Security escutcheons</b>	<b>25</b>		
E800	25		
E700	25		
E700L	25		
E300L	26		
<b>Security escutcheons accesories</b>	<b>27</b>		
ESTS	27		
EMB855	27		
EMB700	27		





# Multipoint security

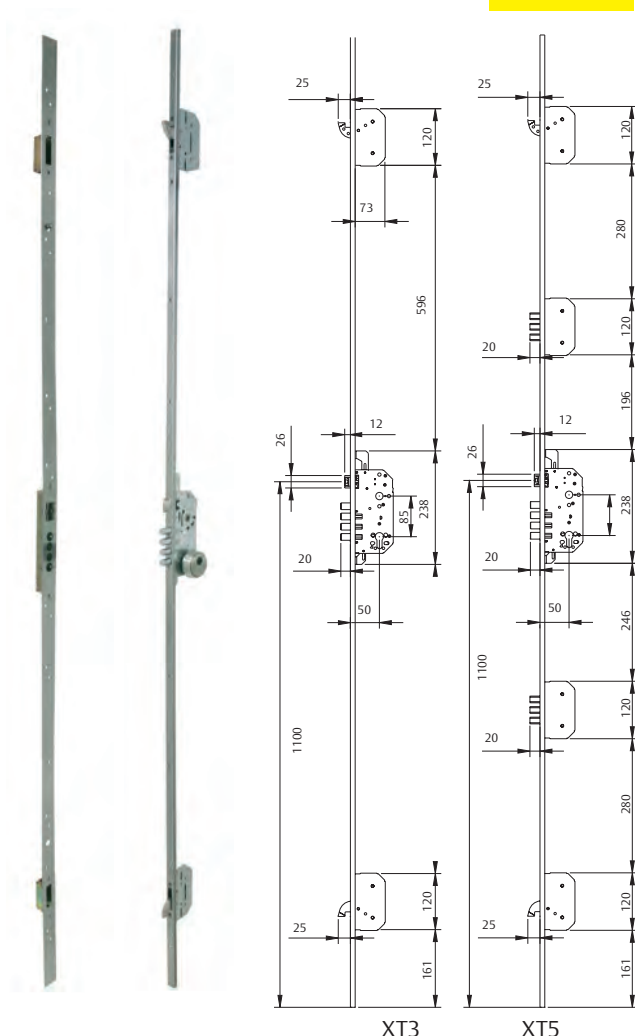


## XT Premium Series

The new XT Premium brings the market first class security in wooden doors - it's a new concept encompassing several innovative devices that improve to a great extent the security in the entrance door.

According to the figures provided by ASSA ABLOY's Security Point, the most frequent method used by thieves is inserting a plastic card. They take advantage of the fact that many users don't lock their houses when they leave their homes for limited periods of time. TESA ASSA ABLOY has tackled this issue by including the ANTICARD LATCH in the XT PREMIUM. This innovative latch features a no-return system in order to prevent the latch from being removed by tampering with it.

- » A new device with an **independent blocking in every locking point**: if one of the locking points is broken, the rest will remain unaltered, keeping the door blocked.
- » Leverage resistance in the upper central lock **above 1,000 kg**.
- » New auxiliary hooks made of solid steel and anchoring in closed steel boxes in the strike. Great leverage resistance between the leaf and the frame. More than 600 kg in each hook.
- » **New high security E800 escutcheon** and E855 protection plate (optional). The protection of the cylinder and the devices makes it virtually invincible.
- » As for the installation, it's just as simple as the standard TLB, because you can use those mechanizings of the door made for any multipoint, and with the new XT PREMIUM series, the multipoint locks can be re-stocked, either from TESA ASSA ABLOY or from most brands in the market.



Cylinder	mm.	Finish	Strike	3 points XT3 Product code	5 points XT5 Product code
T80	60	AE	40	XT358S64LE	XT558S64LE
T80	70	AE	40	XT358S74LE	XT558S74LE
T80	60	AE	45	XT358S65LE	XT558S65LE
T80	70	AE	45	XT358S75LE	XT558S75LE
T80	60	AI	40	XT358S64LI	XT558S64LI
T80	70	AI	40		XT558S74LI
T80	60	AI	45	XT358S65LI	XT558S65LI
T80	70	AI	45	XT358S75LI	XT558S75LI
S/C	--	AE	40	XT35SC4LE	XT55SC4LE
S/C	--	AE	45	XT35SC5LE	XT55SC5LE
S/C	--	AI	40	XT35SC4LI	XT55SC4LI
S/C	--	AI	45	XT35SC5LI	XT55SC5LI

**NOTE:** It is possible to manufacture backset 60 mm.



Escutcheon E800 included

### Technical features:

- » Blocking system with independent locking points.
- » Anticard latch.
- » Four bolts in the central case and solid steel hooks.
- » Front and strike both made of steel.
- » Distance between shafts: 85 mm.
- » Backset: 50 mm.
- » XT3 and XT5 models present three and five frontal points.
- » E800 escutcheon:
  - The core and the sleeve are made of reinforced solid steel.
  - Antidrill protection in the reinforced steel cylinder with 9mm thickness.
  - Anticard balls for the protection of the cylinder.
  - Fixing: four screws made of tempered steel.
  - Optional E855 plate.
- » Long strike with a protection central case and adjustable latch, plus closed protection cases for the hook locks. Widths: 40 mm (standard) and 45 mm (optional).
- » Closed cases, galvanized steel.



# Multipoint security

Security  
\*\*\*\*\*  
\*\*\*\*\*

## TAB autodeadbolt Series

- » Auxiliary lock are automatically projected. When the door is closed, all the time 3 points working, the latch bolt and two auxiliary locks.
- » From the interior side, when the handle is activated, two auxiliary locks and the latch bolt are withdraw. From the exterior part, the cylinder is used for the same function.
- » Form more security the 4 central rollers bolts can be activated with the cylinder and they are completely independent, and they ant saw rotation movement.

### SECURITY AGAINST INTRUDERS

- » When the door is closed, hooks are automatically activated, to hamper the intrusion.
- » Is compatible with other TESA ASSA ABLOY products. Door protection is complete when cylinder and escutcheon are mounted.
- » Is accurate for new doors or to replacement doors. (Compatible with TLB3, T2B3)

### Technical features:

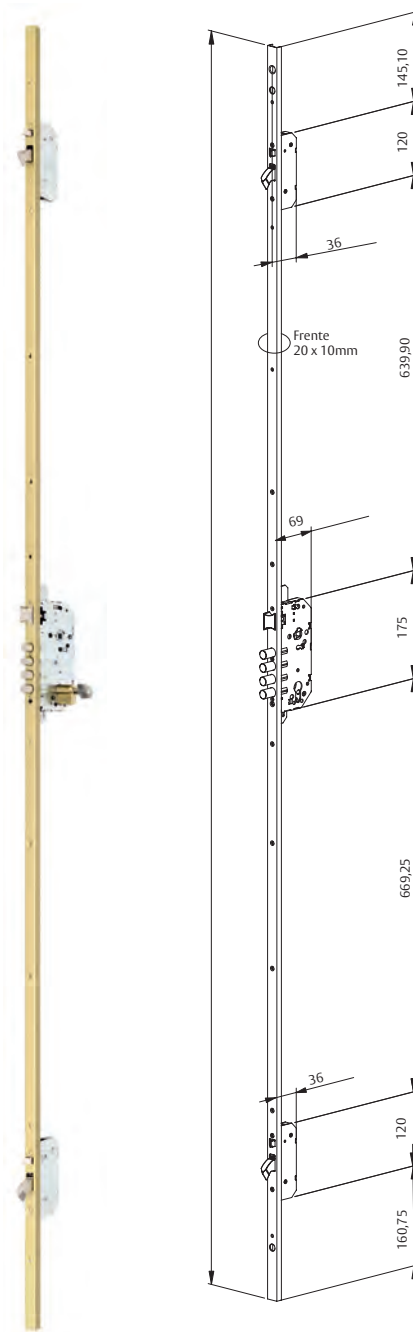
- » 4 roller bolts in the central point. Roller bolts have and anti-saw rotational system. 14mms diameter and nickel plated.
- » Automatically activated auxiliary 2 locks. Constantly 3 points activated, 2 auxiliary locks and latch bolt.
- » All the locking points are independent.
- » Central locking point is activated manually with the cylinder.
- » Backset 50, 60 mm.
- » Distance between axis: 85mm.
- » Finishes: AC,AE. Stainless Steel.
- » E700 Escutcheon.
- » High security double clutch T60 cylinder.
- » Steel material base in front plate and strike.
- » Strike wide: 40,45 mm.

Cylinder	mm.	Finish	Strike	3 points Product code
T60	60	AI	40	TAB3566LAI
T60	60	AC	40	TAB3566LC
T60	60	AE	40	TAB3566LE
T60	70	AI	40	TAB3567LAI
T60	70	AC	40	TAB3567LC
T60	70	AE	40	TAB3567LE

**NOTE:** It is possible to manufacture backset 60 mm and 45mm wide strike.



Includes E700 escutcheon



TAB

A

# Multipoint security



## TMB motorized multipoint lock

- » Automatic locking of the high and low points by anti-lever hooks: the door remains protected by the high and low points and also by the latch.
- » The door is opened from the inside by the handle, from the outside by the mechanical key or an electric signal (dual key, proximity card, remote control, etc.), depending on each specific credential (the latch and the high and low points are automatically removed).
- » The middle point, with four anti-saw bolts, can be key-locked as an additional security measure. The key-locking of the middle bolts prevents any openings by remote control (service function).
- » In case of a power cut, there is always the chance of mechanically opening/blocking the lock with the cylinder.

### Anti-intrusion security

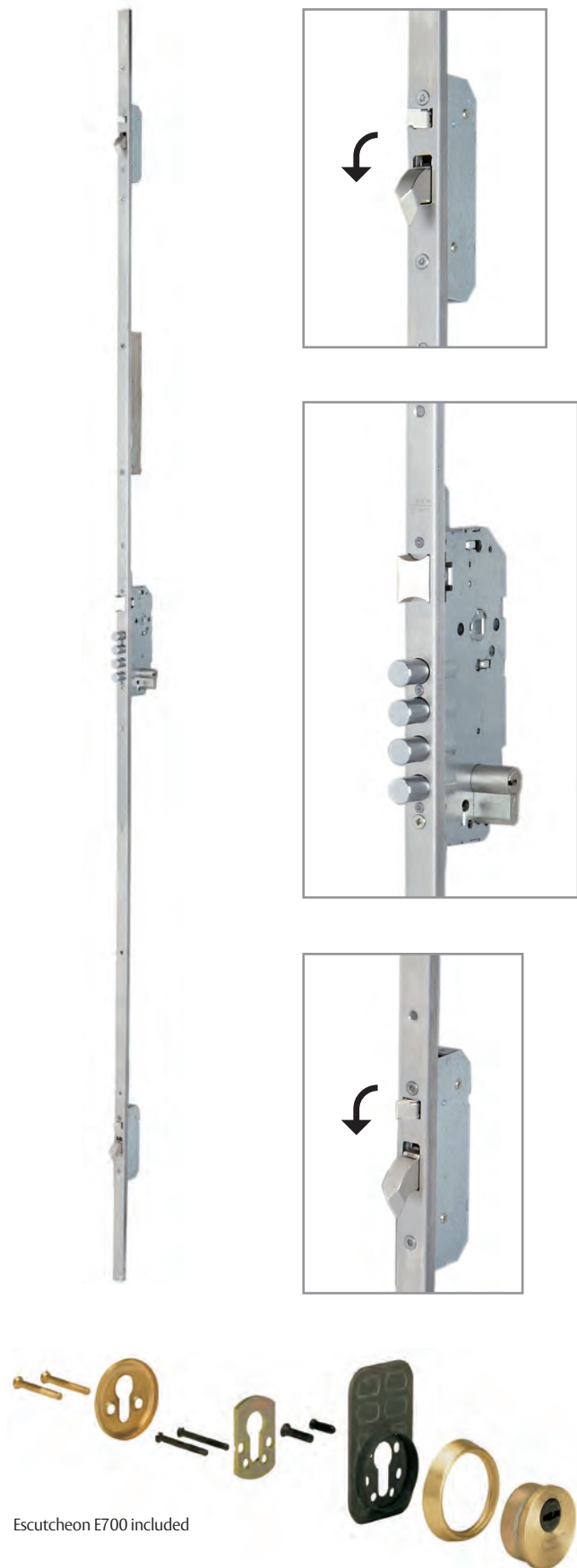
- » When the door is locked, the hooks remain blocked, which prevents it from being leveraged.
- » Compatible with other TESA ASSA ABLOY products: a cylinder and a suitable security escutcheon complement the door's protection.
- » Apt for both new doors and replacements.

### Technical features

- » Central bolt lock. Four anti-saw bolts in nickel-plated steel, diameter: 14mm.
- » Automatic auxiliary locks for hooks. Three locking points active at all times.
- » Independent locking points.
- » A manual cylinder activates the bolts on the central lock.
- » Inlets: 50 and 60 mm.
- » Distance between shafts: 85 mm.
- » Finishes: AE, AC, Inox (Stainless).
- » E700 escutcheon with anti-drill plate.
- » T60 DS high security cylinder. Double clutch.
- » Basic raw material for the front and strike: steel.
- » Long strike: 40, 45 mm.
- » Power supply: 12V DC
- » Maximum consumption: 550 mA

Cylinder	mm.	Finish	Strike	3 points Product code
T60	60	AI	40	TMB3566LAI
T60	60	AC	40	TMB3566LC
T60	60	AE	40	TMB3566LE
T60	70	AI	40	TMB3567LAI
T60	70	AC	40	TMB3567LC
T60	70	AE	40	TMB3567LE

**NOTE:** It is possible to manufacture backset 60 mm and 45mm wide strike.



Escutcheon E700 included



# Multipoint security

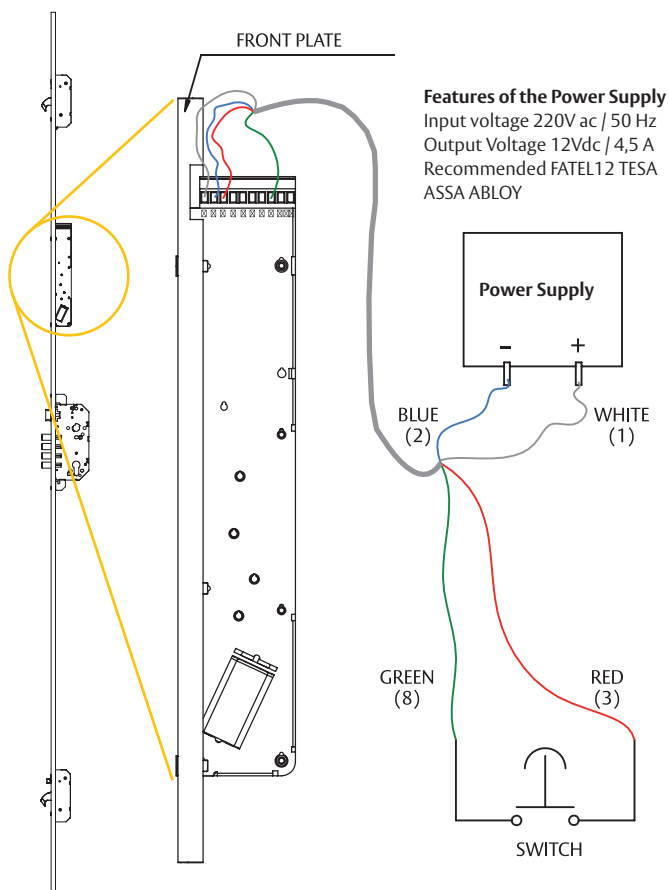
## TMB motorized multipoint lock

### General sizes

Model	A	B	E	F
TAB	85	82/92	50/60	93

### Mounting

### Connection Diagram

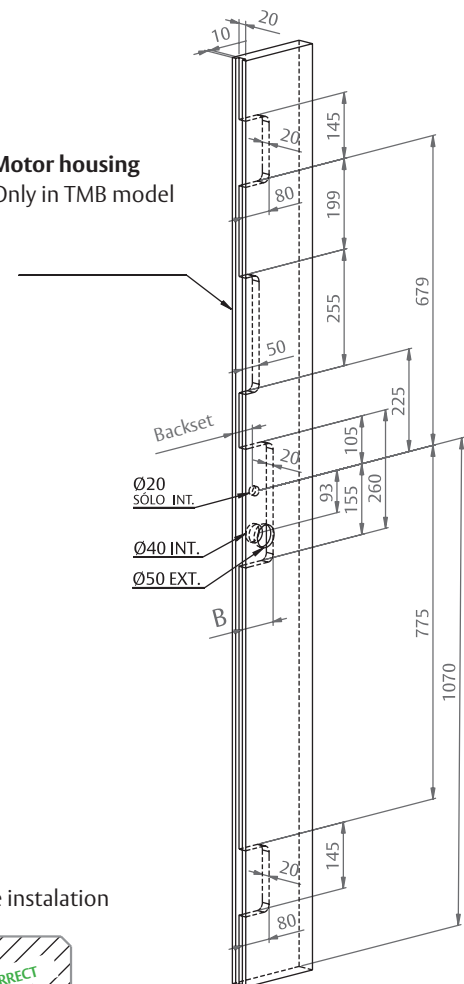


### Consumption

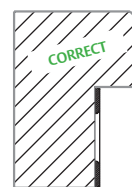
Operating voltage	12 VDC (-10% / +15%)
Consumption	Máx. 550 mA (12 VDC) Min. 200 mA (12 VDC)

Minimum recommended connection wire: 0,14 mm-section.

### Motor housing Only in TMB model



### Strike instalation



Backset	B
50	82
60	92



Incorrect: strike must be overlaps or same ending of the frame.

# Multipoint security

## TMB motorized credentials

### Self-programmable wall reader

The reader activates the locking element with a relay: electric strike, electromagnetic/motorized lock, etc. It requires an external power supply of 12Vac/Vdc.



Noise coming from the electric strike: we recommend the user to have VARIS-TOR (included) installed on the electric strike in order to absorb the noises made by the strike. Alternate current only.

Connectors	Description
CN1	Power supply 12Vac / Vdc
CN2	Consumption at rest 80 $\mu$ A Consumption with the relay operating 150 mA
CN3	Relay outlet: NO, NC and C. Cut capacity: 5A 250 VAC / 5A 30Vdc
CLR	Reset button for erasing the reader's memory
Operation conditions	Description
Humidity	Up to 85% without condensation
Temperature	-10° - 80°C

Reference	Description
STAR2DSSI	Self-programmable design reader

### RFID Combi Key

With TESA ASSA ABLOY's RFID COMBI key, the user will be able to fit together TESA ASSA ABLOY's mechanical masterkeyings with self-programmable locks or other single-credential proximity access control systems.

TESA ASSA ABLOY's COMBI key will be able to open mechanical cylinders of the T80 system and the TX80 and TK100 patented systems, and also get access by placing it near a wall reader or a MIFARE proximity technology electronic lock.



Credential  
**mifare®**

Head with RFID technology chip  
MIFARE 1K. (European Standard).

Systems	Carved key	Uncut key
	Reference	Reference
T80	LLAT80TALLCOMBI	LLAVBRT80COMBI
TX80	LLATX8TALLCOMBI	
TK100	LLATK1TALLCOMBI	

# Multipoint security

Security  
\*\*\*\*\*  
\*\*\*\*\*

## CANB “Z” profile Series

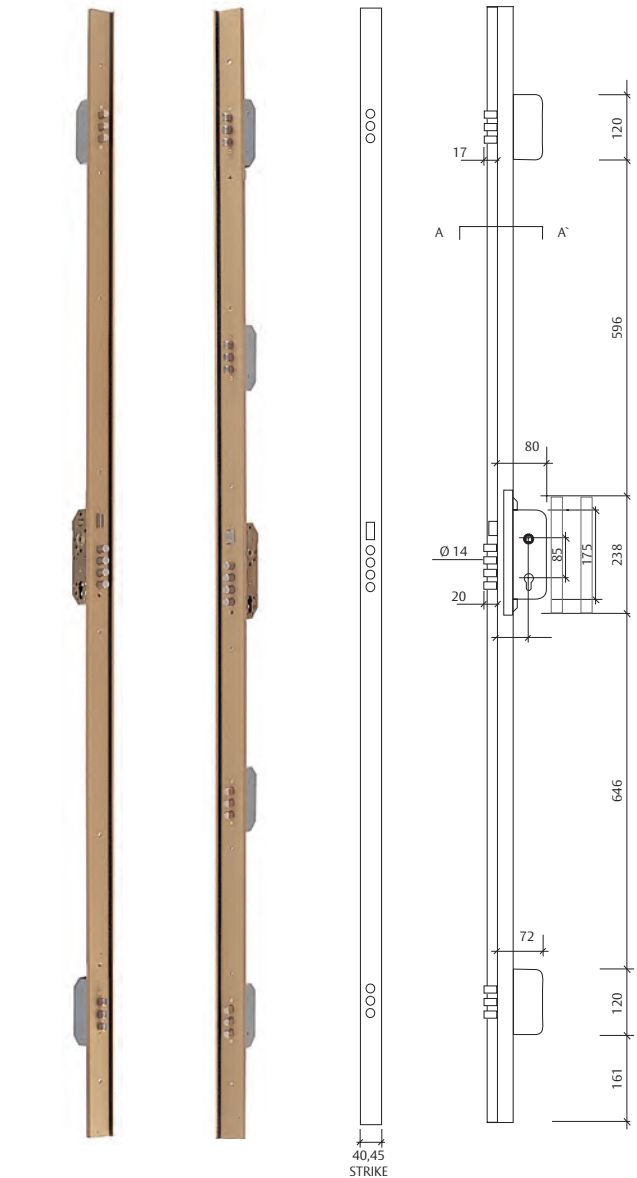
- » Z-profile faceplate that completely covers the door edge, thus easing the lock installation and reaching higher levels of aesthetic appearance.
- » Circular roller bolts in the main lock. (ø14mm. diameter).
- » Anodised aluminium faceplate in polished gold finish.
- » Rubber weather strip that assures a hermetic shutting and eliminates noise.
- » E700L security escutcheon included.
- » The EMB700 scratch-saver escutcheon rose is included.
- » Mechanisms protected in galvanised steel closed cases.
- » Auxiliary locks mechanisms provided with anti-return system.
- » 50mm. standard backset, 60mm. backset is also available.
- » Three or five frontal locking points, for both right or left handed doors, and for 40mm. or 45mm. door width.
- » Faceplate is 2030mm. long and can optionally be made in 2.110mm.
- » Full size strike plates of 40mm. or 45mm. width. Standard height is 2.028mm. Optionally, 2035mm. height is also available.
- » Also available full size, single-hole strike plates for CANB3 models. (One single hole for each group of roller bolts, see page 16/SE).
- » Enamelled in AE/AC

### Description of finishes

Face plate	Strike	Escutcheon	Cylinder
AE	AE	LM	LT
AC	AC	CM	LN
HN	HN	LN	LN

AE: Gold enamelled; AC: Chrome enamelled; LM: Satin brass; LT: Brass;  
HN:Nickel steel ; LN: Nickel brass; AI:Stainless steel.

Cylinder	Finish	Strike	Hand	3 points	5 points
T60	AE	40	D	CANB346DE	CANBF46DE
T60	AE	40	I	CANB346IE	CANBF46IE
T60	AE	45	D	CANB356DE	CANBF56DE
T60	AE	45	I	CANB356IE	CANBF56IE
T60	AC	40	D	CANB346DAC	CANBF46DAC
T60	AC	40	I	CANB346IAC	CANBF46IAC
T60	AC	45	D	CANB356DAC	CANBF56DAC
T60	AC	45	I	CANB356IAC	CANBF56IAC
S/C	AE	40	D	CANB34SDE	CANBF4SDE
S/C	AE	40	I	CANB34SIE	CANBF4SIE
S/C	AE	45	D	CANB35SDE	CANBF5SDE
S/C	AE	45	I	CANB35SIE	CANBF5SIE
S/C	AC	40	D	CANB34SDAC	CANBF4SDAC
S/C	AC	40	I	CANB34SIAC	CANBF4SIAC
S/C	AC	45	D	CANB35SDAC	CANBF5SDAC
S/C	AC	45	I	CANB35SIAC	CANBF5SIAC



A

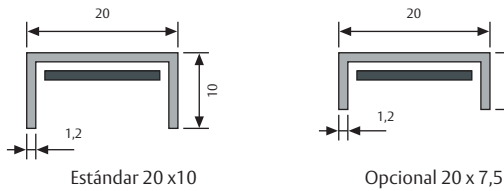
# Multipoint security



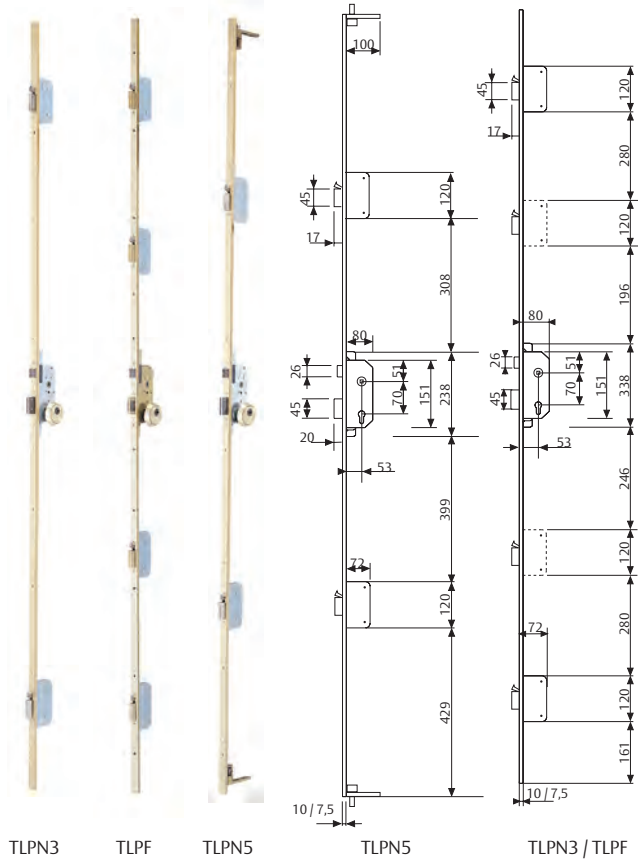
## TLPN Series

- » Levers with tempered steel plates (mod. TLPN/ TLPF).
- » Solid steel levers (mod. TLPS).
- » Carbonitrided steel antilever hooks in auxiliary cases, depending on each model.
- » High and low locking points in carbonitrided steel.
- » High steel strike and floor strike with antidust protection.
- » All devices are protected by closed galvanized steel cases.
- » Highly rigid U-type profile steel front. Ideal for RF doors.
- » E-700L security escutcheons.
- » Optional key-storing embellishment for the escutcheon.
- » Antireturn device for levers.
- » Additional fronts for every door height (for the TLPN5 and TLL5 models: maximum height of 2310 mm).
- » Optional front and strike in a length of 2110 mm.
- » Long strikes of standard width (40 mm) with optional widths of 35 and 45 mm. Also available in a special height of 2035 mm.
- » Short strikes with straight or rounded edges for three-point models.

### “U” profile forend



- » Available 20 x 7.5 mm forend. Also available strikes 2035 mm length.
- » Optional manufacturing with roller.



TLPN3 TLPF TLPN5 TLPN5 TLPN3 / TLPF



Escutcheon E700L included

### Maximum lock length

Door length	T2B3, TLB3 and TLBF	T2B5 and TLB5
Standard	2030mm	2030mm
Minimum	1850mm	1875mm
Max. without accessories	2300	2300
Max. with accessories	SPTL28 (28mm)	SPTL10 (10 mm)

### Finishes

Forend	Strike	Escutcheon	Cylinder
AE	AE	LM	LT
AC	AC	CM	LN
HN	HN	LN	LN

AE: Gold enamelled; AC: Chrome enamelled; LM: Satin brass; LT: Brass; HN: Nickel steel; LN: Nickel brass; AI: Stainless steel.

Cylinder	mm.	Finish	Strike	3 points	5 points
T60	60	AE	Short	TLPN366CE	TLPN566CE
T60	70	AE	Short	TLPN367CE	TLPN567CE
T60	60	AE	Long	TLPN366LE	TLPN566LE
T60	60	AC	Long	TLPN366LC	TLPN566LC
T60	60	HN	Long	TLPN366LN	
T60	70	AE	Long	TLPN367LE	TLPN567LE
S/C	--	AE	Short	TLPN3SCAE	TLPN5ASCE
S/C	--	AC	Short	TLPN3SCAC	TLPN5SCAC
S/C	--	HN	Short	TLPN3SCCN	TLPN5SCCN
S/C	--	AE	Long	TLPN3SLAE	TLPN5ASLE
S/C	--	AC	Long	TLPN3SLAC	
S/C	--	HN	Long	TLPN3SCLN	TLPN5SCLN

Underline: "Express 5" service.

No underline: 15 working days maximum.

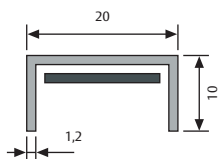
# Multipoint security

Security  
\*\*\*  
\*\*\*

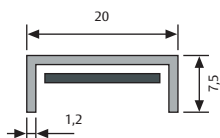
## TLPS Series

- » Levers with tempered steel plates (mod. TLPN/ TLPPF).
- » Solid steel levers (mod.TLPS).
- » Carbonitrided steel antilever hooks in auxiliary cases, depending on each model.
- » High and low locking points in carbonitrided steel.
- » High steel strike and floor strike with antidust protection.
- » All devices are protected by closed galvanized steel cases.
- » Highly rigid U-type profile steel front. Ideal for RF doors.
- » E300L security escutcheons.
- » Optional key-storing embellishment for the escutcheon.
- » Antireturn device for levers.
- » Additional front plates for every door height (for the TLPN5 and TLL5 models: maximum height of 2310 mm).
- » Optional front plates and strike in a length of 2110 mm.
- » Long strikes of standard width (40 mm) with optional widths of 35 and 45 mm. Also available in a special height of 2035 mm.
- » Short strikes with straight or rounded edges for three-point models.

### “U” profile forend



Standard 20 x10



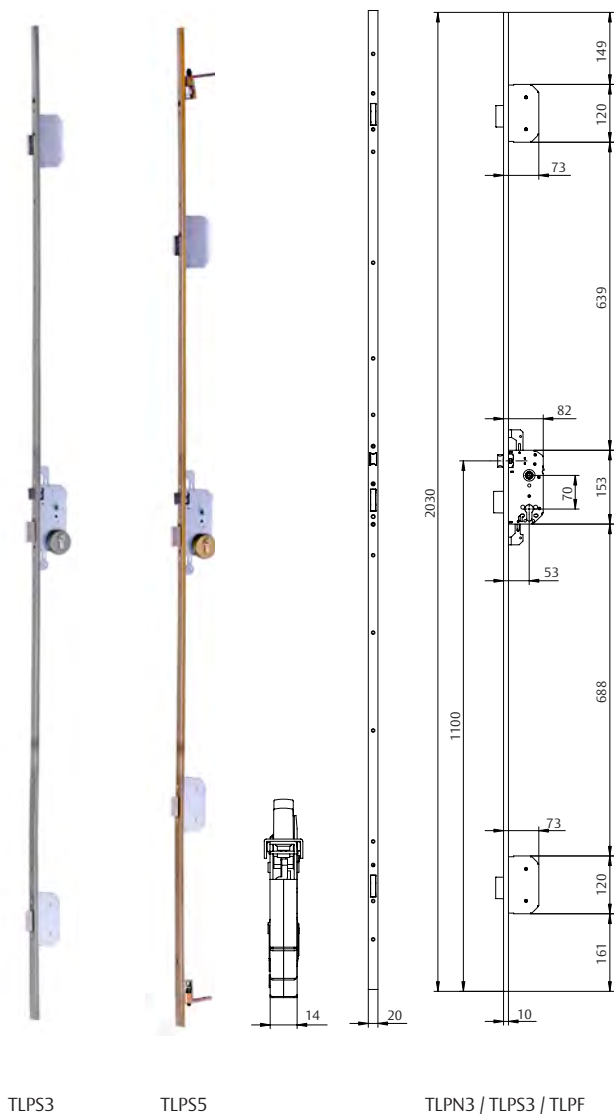
Optional 20 x 7,5

- » Available 20 x 7.5 mm forend. Also available strikes 2035 mm length.
- » Optional manufacturing with roller.

### Finishes

Forend	Strike	Escutcheon	Cylinder
AE	AE	LM	LT
AC	AC	CM	LN
HN	HN	LN	LN

AE: Gold enamelled; AC: Chrome enamelled; LM: Satin brass; LT: Brass;  
HN:Nickel steel ; LN: Nickel brass; AI:Stainless steel.



TLPS3

TLPS5

TLPN3 / TLPS3 / TLPPF

E300L escutcheon included



Cylinder	mm.	Finish	Strike	Product code	Product code
T60	60	AE	Short	TLPS366CE	TLPS566CE
T60	70	AE	Short	TLPS367CE	TLPS567CE
T60	60	AE	Long	TLPS366LE	TLPS566LE
T60	60	AC	Long	TLPS366LC	TLPS566LC
T60	60	HN	Long	TLPS366LN	TLPS566LN
T60	70	AE	Long	TLPS367LE	TLPS567LE
S/C	--	AE	Short	TLPS3SCAE	
S/C	--	AC	Short	TLPS3SCAC	TLPS5ASCC
S/C	--	HN	Short	TLPS3SCCN	TLPS5SCCN
S/C	--	AE	Long	TLPS3SLAE	TLPS5ASLE
S/C	--	AC	Long	TLPS3SLAC	
S/C	--	HN	Long	TLPS3SCLN	



# Multipoint security

Security  
\*\*\*\*  
\*\*\*

## TLB Series

- » Circular roller bolts in the main lock. (Ø14mm. diameter).
- » Plane edge roller bolts in auxiliary locks.
- » Mechanisms protected in galvanised steel closed cases.
- » Floor & Top Jamb locking bolts in hardened steel (TLB5).
- » Steel made Floor & Top Jamb strikes. Floor strike includes dust proof lid.
- » "U" profile steel faceplate provides great strength and is ideal for Fire Doors.
- » Auxiliary locks mechanisms provided with anti-return system.
- » Full size strikeplates are 40mm. width. Optional 35mm and 45mm. width also available.  
Standard height is 2.028mm. Optionally, 2035mm. height is also available.
- » Standard faceplate has a 20x10mm. profile. Faceplates with a 20mmx7,5mm. profile can be ordered optionally in T2B3, TLB3, T2B5, TLB5 series locks.
- » It is also possible to include the EMB700 scratch-saver escutcheon rose.

Cylinder	mm.	Finish	Strike	3 points	5 points	5 frontal points
T60	60	AE	Short	TLB3566CE	TLB5566CE	
T60	70	AE	Short	TLB3567CE	TLB5567CE	
T60	60	AE	Long	TLB3566LE	TLB5566LE	TLBF566LE
T60	60	AC	Long	TLB3566LC	TLB5566LC	
T60	60	HN	Long	TLB3566LN		
T60	60	AI	Long	TLB3566LAI		TLBF567LE
T60	70	AE	Long	TLB3567LE	TLB5567LE	
S/C	--	AE	Short	TLB35SCCE	TLB55SCCE	
S/C	--	AC	Short	TLB35SCCC	TLB55SCCC	
S/C	--	HN	Short	TLB35SCCN	TLB55SCCN	
S/C	--	AI	Short	TLB35SCCAI	TLB55SCLC	
S/C	--	AE	Long	TLB35SCLC	TLB55SCLC	TLBF5SCLC
S/C	--	AC	Long	TLB35SCLC	TLB55SCLN	TLBF5SCLC
S/C	--	HN	Long	TLB35SCLN	TLBF5SCL	TLBF5SCLN
S/C	--	AI	Long	TLB35SCLAI	TLBF5SCLAI	

Underline: "Express 5" service.

No underline: 15 working days maximum.

### Maximum lock length

Door length	T2B3, TLB3 and TLBF	T2B5 and TLB5
Standard	2030mm	2030mm
Minimum	1850mm	1875mm
Max. without accessories	2300	2300
Max. with accessories	SPTL28 (28mm)	SPTL10 (10 mm)

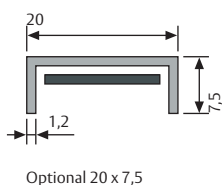
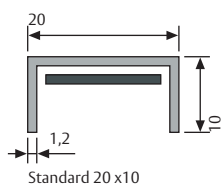


TLB3

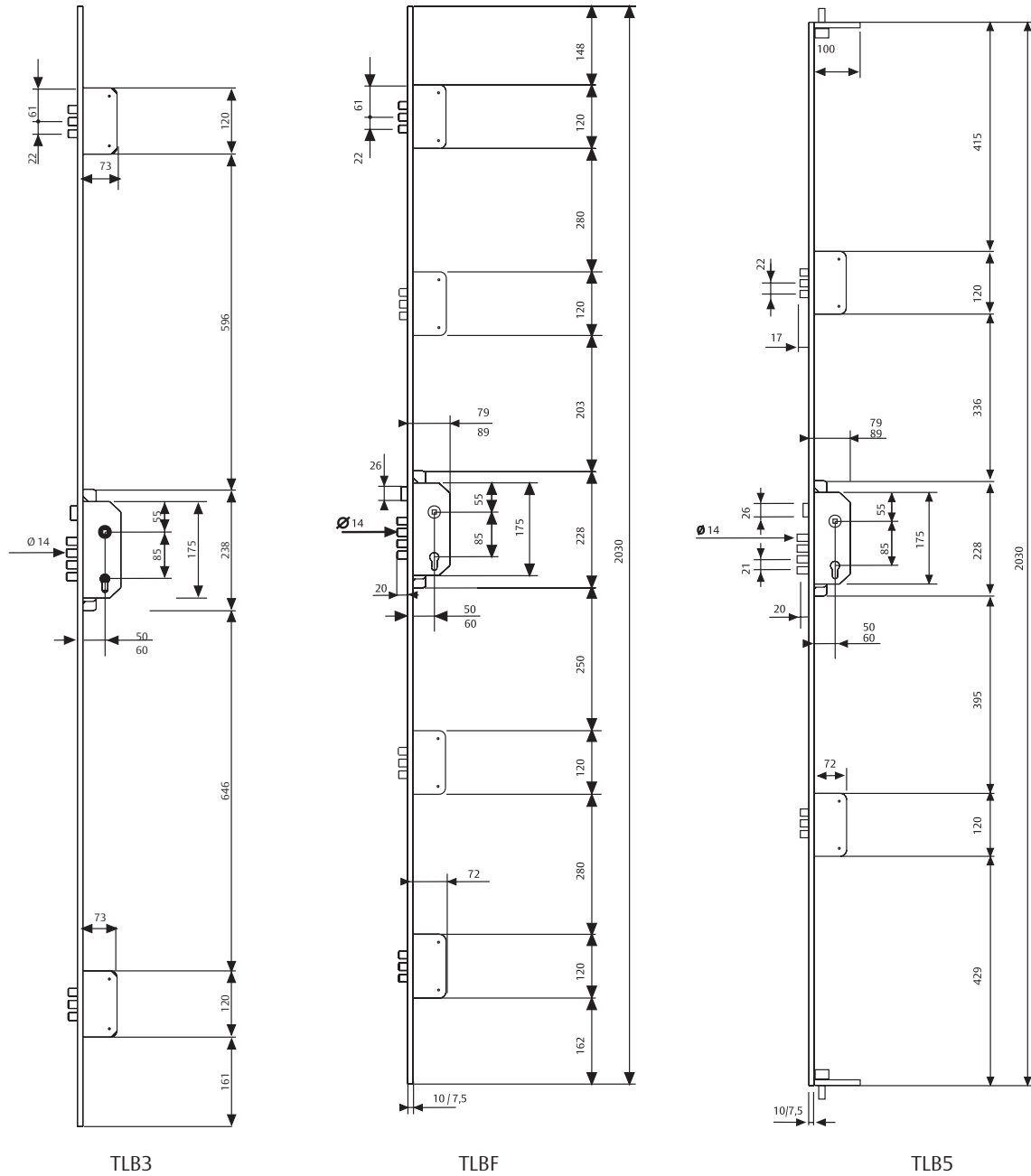
TLBF

TLB5

### "U" profile forend



# Multipoint security



## Finishes

Forend	Strike	Escutcheon	Cylinder
AE	AE	LM	LT
AC	AE	CM	LN
HN	HN	LN	LN
AI	AI (long and short)	AI	LN

AE: Gold enamelled; AC: Chrome enamelled; LM: Satin brass; LT: Brass;  
HN: Nickel steel; LN: Nickel brass; AI: Stainless steel.

- » Available 20 x 7.5 mm forend. Also available strikes 2035 mm length.
- » Optional manufacturing with roller.
- » Optional anticard latchbolt. Example TLB3PA5SCLE is TLB35SCLE with anticard latchbolt.

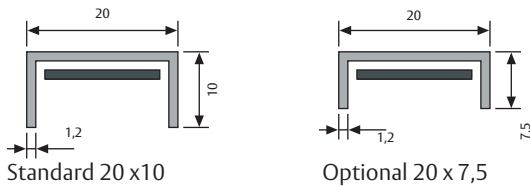
# Multipoint security

Security  
\*\*\*\*  
\*\*\*\*

## T2B Series

- » Circular roller bolts in the main lock. (Ø14mm. diameter).
- » Plane edge roller bolts in auxiliary locks.
- » Mechanisms protected in galvanised steel closed cases.
- » Floor & Top Jamb locking bolts in hardened steel (TLB5).
- » Steel made Floor & Top Jamb strikes. Floor strike includes dust proof lid.
- » “U” profile steel faceplate provides great strength and is ideal for Fire Doors.
- » Auxiliary locks mechanisms provided with anti-return system.
- » Full size strikeplates are 40mm. width. Optional 35mm and 45mm. width also available.  
Standard height is 2.028mm. Optionally, 2035mm. height is also available.
- » Standard faceplate has a 20x10mm. profile. Faceplates with a 20mmx7,5mm. profile can be ordered optionally in T2B3, TLB3, T2B5, TLB5 series locks.
- » It is also possible to include the EMB700 scratch-saver escutcheon rose.

### “U” profile forend



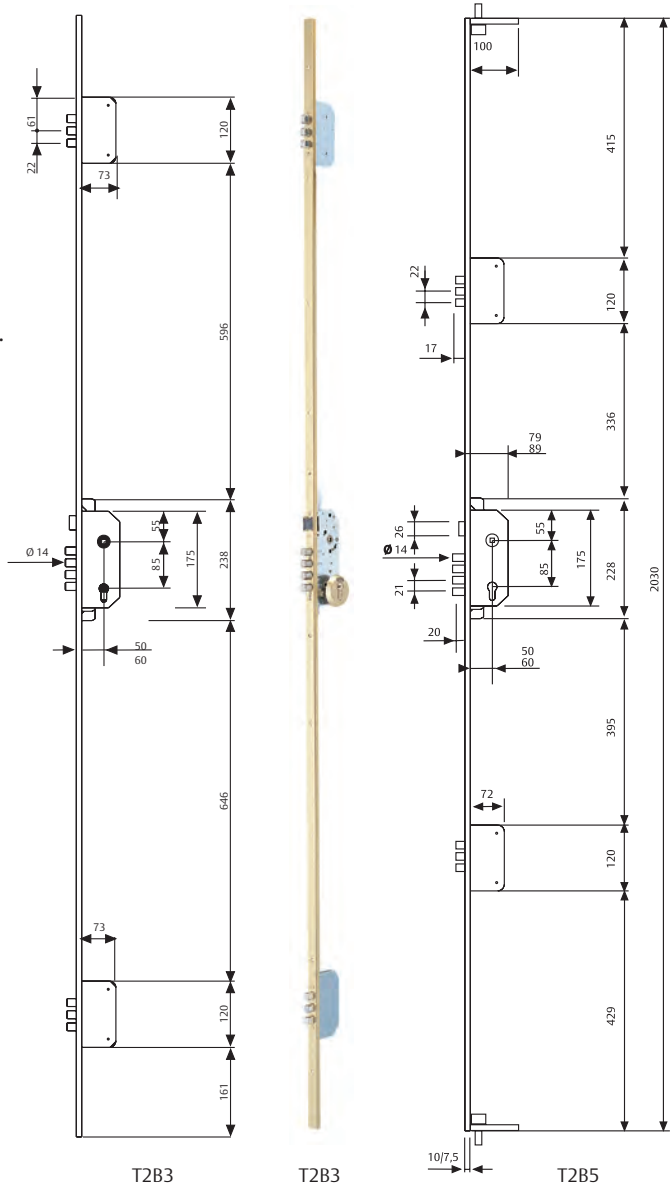
- » Available 20 x 7.5 mm forend. Also available strikes 2035 mm length.
- » Optional manufacturing with roller.

### Finishes

Forend	Strike	Escutcheon	Cylinder
AE	AE	LM	LT
AC	AC	CM	LN
HN	HN	LN	LN

AE: Gold enamelled; AC: Chrome enamelled; LM: Satin brass; LT: Brass;  
HN: Nickel steel ; LN: Nickel brass; Al:Stainless steel.

Escutcheon E300L  
included



Cylinder	mm.	Finish	Strike	3 points	5 points
T60	60	AE	Short	<u>T2B3566CE</u>	T2B5566CE
T60	70	AE	Short	<u>T2B3567CE</u>	T2B5567CE
T60	60	AE	Long	<u>T2B3566LE</u>	T2B5566LE
T60	60	AC	Long	<u>T2B3566LC</u>	T2B5566LC
T60	60	HN	Long	<u>T2B3566LN</u>	
T60	70	AE	Long	<u>T2B3567LE</u>	
S/C	--	AE	Short	<u>T2B35SCCE</u>	T2B55SCCE
S/C	--	AC	Short	<u>T2B35SCCC</u>	T2B55SCCC
S/C	--	HN	Short	<u>T2B35SCCN</u>	T2B55SCCN
S/C	--	AE	Long	<u>T2B35SCLC</u>	T2B55SCLC
S/C	--	AC	Long	<u>T2B35SCLC</u>	
S/C	--	HN	Long	<u>T2B35SCLN</u>	

Underline: "Express 5" service.

No underline: 15 working days maximum.

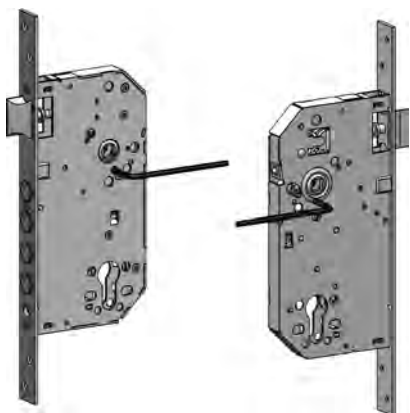
# Single point mortise locks

## R200B - R20AB - R201B Series

- » Antipanic reversible lock: Panic exit function configurable in the installation.
- » Four roller bolts in nickel plated steel. Ø 14mm. diameter.
- » Three roller bolts in R101B and R201B model.
- » Mechanisms protected in zinc plated steel closed case in R200B model and galvanised steel closed case in R100B model.
- » R201B and R101B have open cases that include top and bottom protective lids.
- » Models R200B and R201B include E700L security escutcheon.
- » Models R100B and R101B include E300L security escutcheon.
- » Locks with rounded edge faceplate and strike plates are also available.
- » Single hole strike plates are also available (One single hole in the strike for the four roller bolts)
- » Panic model also available (R20AB).
- » Anticard latchbolt available (R200B).

### Classification

3 S 7 1 0 C 6 B C 2 0



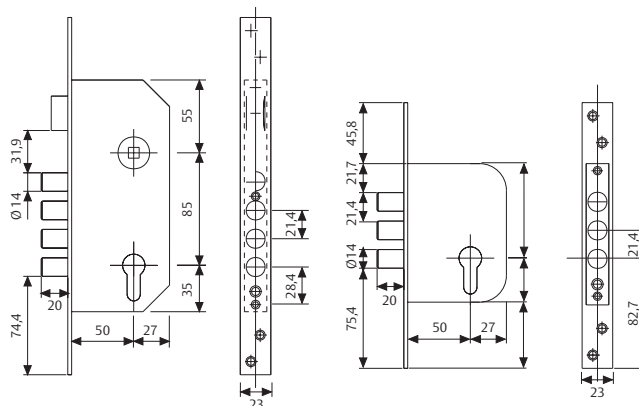
The reversible lock becomes non-antipanic on the side where the screw is removed.



Included escutcheon E700L

## R200B - R201B

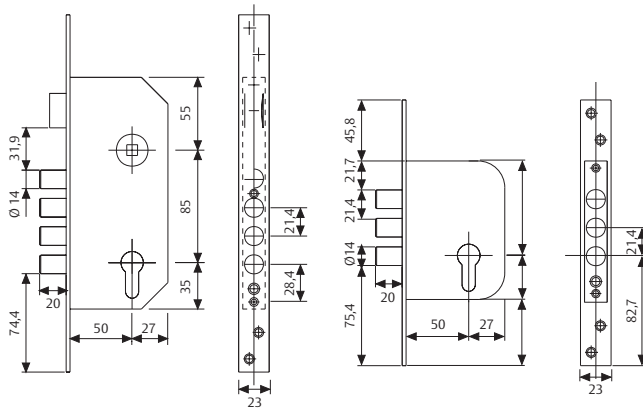
Cylinder	Backset	Finish	Product code	Product code
T60	60	50	LT	R200B566L R201B566L
T60	60	50	AI	R200B566AI R201B566AI
T60	60	50	LN	R200B566N R201B566N
T60	70	50	LT	R200B567L R201B567L
T60	60	50	NE	R200B566NE
T60	60	60	LT	R200B666L R201B666L
T60	60	50	LA	R200B566LA
S/C	--	50	LT	R200B5SCL R201B5SCL
S/C	--	50	LA	R200B5SCLA R201B5SCLA
S/C	--	50	LN	R200B5SCN R201B5SCN
S/C	--	50	NE	R200B5SCNE



# Single point mortise locks

## R100B - R101B Series

Cylinder	Backset	Finish	Product code	Product code
T60	60	50	AE	R100B566E R101B566E
T60	60	50	AC	R100B566C R101B566C
T60	70	50	AE	R100B567E R101B567E
T60	60	60	AE	R100B666E R101B666E
S/C	--	50	AE	R100B5SCE R101B5SCE
S/C	--	50	AC	R100B5SCC R101B5SCC



R100B



R101B



Included escutcheon E300L

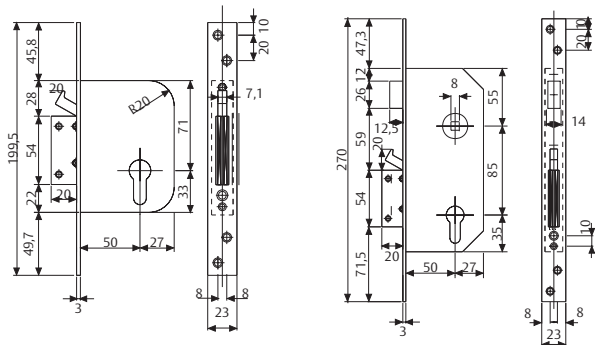
Security  
\*\*  
\*\*



# Single point mortise locks

## R200N - R201N Series

- » Saw-resistant deadbolt reinforced with tempered steel plates and hardened steel security hook.
- » Deadbolt throw: 20mm.
- » Mechanisms protected in zinc plated steel closed case.
- » R201N has open case that includes top and bottom protective lids.
- » E700L security escutcheon. Anti-drill and anti-extraction attack.
- » Solid brass faceplate and brass plated strike plate.
- » Also available with nickel plated faceplate, strike plate and security escutcheon.
- » Locks with rounded edge faceplate and strike plates are also available.
- » New finish: Stainless steel (AI)
- » Anticard latchbolt available (R200N)



Cylinder	mm.	Finish	Backset	Product code	Product code
T60	60	LT	50	R200NT66T	R201NT66T
T60	60	AI	50	R200NT66AI	R201NT66AI
T60	70	LT	50	R200NT67T	R201NT67T
T60	60	LT	50	R206NT66T	
S/C	--	LT	50	R200N00SC	R201N00SC
S/C	--	LN	50	R200N00SN	R201N00SN
S/C	--	LT	50	R206N600SC	



Includes E700L escutcheon

### Accessories

Finish TCBA	R200 / R201N		R200B / R201B / R20AB		BR100B / R101B	TCB
Face plate	LT	LN	LT	LN	AE	LT
Strike	HL	HN	HL	HN	AE	HL
Lock case	Galvanised steel	Galvanised steel	Galvanised steel	Galvanised steel	Galvanised steel	Galvanised steel
	E700L	E700L	E700L	E700L	E700L	E700L
Security escutcheon						

# Panic mortise locks

TESA ASSA ABLOY panic locks resolve the two main problems that we face in an entrance door: material goods protection and the security of the public.

Whenever a panic situation might arise, the panic function will always allow free exit from the inside of the dwelling, even though the bolts have been deadlocked.

## R20AB

Cylinder	mm	Backset	Finish	Product code
T60	60	50	LT	R20AB566L
T60	70	50	LT	R20AB567L
T60 botón	30 x 35B	50	LT	R20AB56BL
S/C	--	50	LT	R20AB5SCL



R20AB

## TLBA

Cylinder	mm	Backset	Finish	Product code
T60	60	Long	AE	TLBA3566E
T60	70	Long	AE	TLBA3567E
T60 botón	30 x 35B	Long	AE	TLBA356BE
S/C	--	Long	AE	TLBA35SCE

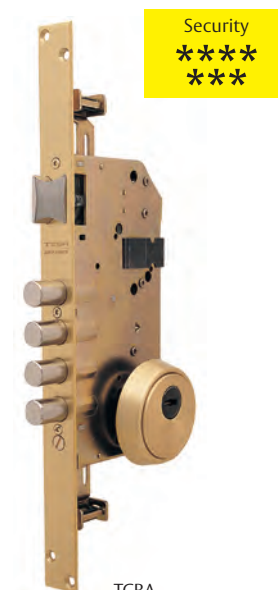


TLBA

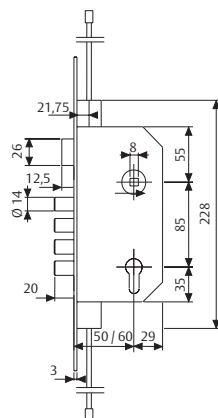
## TCBA

- » Special lock for metallic profile doors with top-jamb and floor locking by means of M8 threaded bars.
- » Four roller bolts in nickel plated steel. Ø 14mm. diameter.
- » Mechanisms protected in zinc plated steel closed case
- » E700L security escutcheon. Anti-drill and anti-extraction attack.
- » Panic model also available (TCBA).

Cylinder	mm	Backset	Finish	Product code
T60	60	60	LT	TCBA666LP
T60	70	60	LT	TCBA667LP
T60 botón	30 x 35B	60	LT	TCBA66BLP
S/C	--	60	LT	TCBA6SCLP



TCBA



# Single point rim locks /multipoint

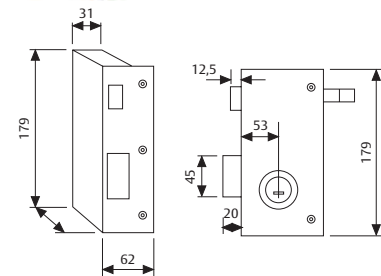
## TS10 Series

- » Reinforced steel strike case prevents crowbar attack.
- » Anti-Drill and anti-extraction attack ESTS security escutcheon.
- » Standard rim cylinder fits door widths up to 48mm.
- » Adjustable length rim cylinder models possess an indented connecting bar that can be easily cut to the desired length and reaching up to 80mm. door width.
- » Latchbolt is retracted with the key from the outside and with the pull-handle from the inside.
- » Lock case and staple are gold enamelled steel finished.
- » ESTS security escutcheon finish is satin brass.

Cylinder	Hand	Finish	Product code
T60	R	AE	TS10T6DAE
T60	L	AE	TS10T6IAE
T60	R	AC	TS10T6DAC
T60	L	AC	TS10T6IAC
TE-5	R	AE	TS10REDAE
TE-5	L	AE	TS10REIAE
TE-5	RL	AC	TS10REDAC
TE-5		AC	TS10REIAC



Security  
\*\*\*  
\*\*\*



## TS30 Series

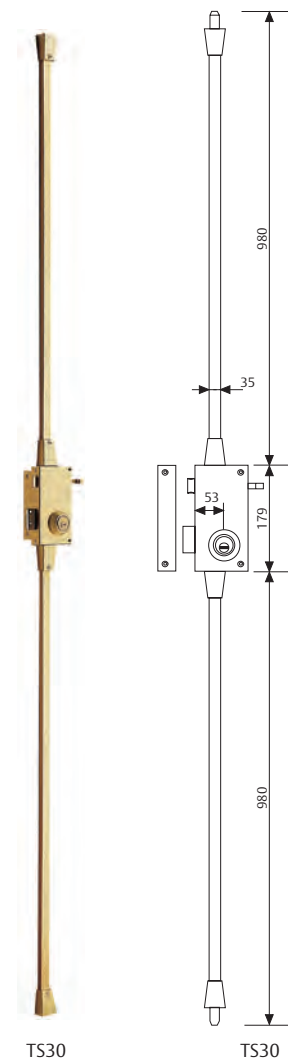
Security  
\*\*\*\*  
\*\*\*\*

- » Reinforced steel strike cases prevent crowbar attack.
- » Floor & top jamb locking bolts manufactured in hardened steel. Floor & top jamb strikes in reinforced steel. Floor strike includes dust proof lid.
- » Connecting rods hidden under rod covers.
- » Anti-Drill and anti-extraction attack ESTS security escutcheon.
- » Standard rim cylinder fits door widths up to 48mm.
- » Adjustable length rim cylinder models possess an indented connecting bar that can be easily cut to the desired length and reaching up to 80mm. door width.
- » Latchbolt is retracted with the key from the outside and with the pull-handle from the inside.
- » Lock cases and rod covers are finished in gold enamelled steel.
- » ESTS security escutcheon finish is satin brass.

Cylinder	Hand	FLnLsh	TS30
T60	R	AE	TS30T6DAE
T60	L	AE	TS30T6IAE
T60	R	AC	TS30T6DAC
T60	L	AC	TS30T6IAC
TE-5	R	AE	TS30REDAE
TE-5	L	AE	TS30REIAE
TE-5	R	AC	TS30REDAC
TE-5		AC	TS30RELAC

Door length	TS30
Minimum	1850
Maximum	2215
Special maximum	2460
Finish	AE/AC

The maximum length of 2460 mm is obtained using accessories STS3 and STS5.



TS30

TS30

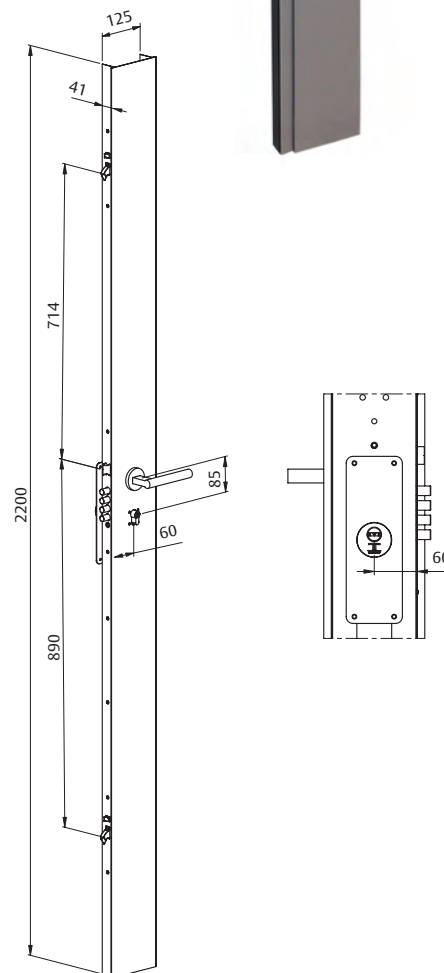
# Multipoint rim locks

Security  
\*\*\*\*\*  
\*\*\*\*\*

## M750 lock, Multifort security multipoint rimlock

- » Rimlock for timber doors.
- » 60 mm backset.
- » Main lock.
  - 4 20 mm length and 14 mm diameter roller bolts, and latch-bolt
  - 2 key turns.
  - Roller bolts manually operated.
- » Auxiliary locks
  - 2 automatic operated auxiliary hook locks.
  - When trigger is activated, hooks are released automatically.
- » Everytime three locking points actuating.
  - Level 1 security: Latchbolt and 2 automatic hooks activated.
- » Level 2 security: manually operated cylinder activates roller bolts of main lock
- » High security antiextraction solid escutcheon.
- » Gold and grey enamelled finishes.
- » Length of the lock 2200 mm.
- » T60 30x70 mm cylinder valid between 40 a 60 mm wide doors.
- » Easy to install.
- » Optional. Wide special escutcheon and cylinder for doors wider than 60 mm.

Cylinder	Mm	Finish	Strike	Handle	3 points
T60	30x70	AE	Long	No	M75036T6SME
T60	30 x70	AC	Long	No	M75036T6SMC



# Single point rim locks

## Rim locks

TESA ASSA ABLOY rim locks are the ideal complement to improve the security grade of any door.

### Functions

- » 2101 & 2110: Thumbturn inside, key outside.
- » 2111: Key at both sides.

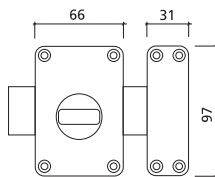
### Features

- » Nickel plated steel deadbolt.
- » Reinforced steel strike case prevents crowbar attack.
- » Mechanism is protected inside a closed steel case.
- » Anti-Drill and anti-extraction attack ESTS security escutcheon is standard equipment in all models with security cylinders. ESTS escutcheon finish is satin nickel.
- » Standard rim cylinder fits door widths up to 48mm.
- » Adjustable length rim cylinder models possess an indented connecting bar that can be easily cut to the desired length and reaching up to 80mm. door width.
- » 2101 model is equipped with TE-5 cylinder.
- » The rest of the models can be ordered with TE5, T60, T80 and TX80 rim cylinders.
- » Finish can be chosen between gold or light grey enamelled steel.



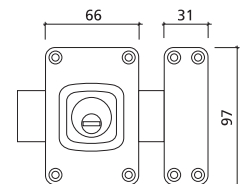
## 2110

Cylinder	Finish	Packaging	Product code
TX80	AE	4	2110TX84E
TX80	AC	4	2110TX84C
T80	AE	4	2110T84E
T80	AC	4	2110T84C
T60	AE	4	2110T64E
T60	AC	4	2110T64C



## 2111

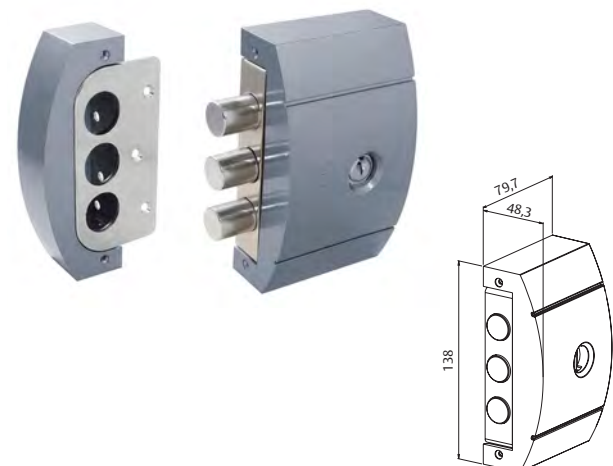
Cylinder	Finish	Packaging	Product code
T80	AE	4	2111T84E
T80	AC	4	2111T84C
T60	AE	4	2111T64E
T60	AC	4	2111T64C



## DIVA deadlock Series

- » Five 18 mm diameter, 20 mm long bolts.
- » Push button release in the manual model.
- » Manual bolt release.
- » Finishes: champagne and aluminium.
- » Security escutcheon.
- » Europrofile security cylinder.
- » Single unit packaging.

Cylinder	Hand	Finish	Backset	Points	Product code
T60	Reversible	Aluminium	50	1	DIVACJ05T6AL
T60	Reversible	Cava	50	1	DIVACJ05T6CA



Standard cylinder length for doors from 40 to 50 mm.



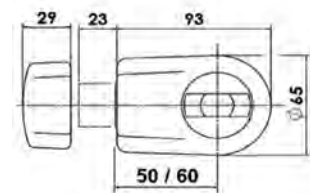
# Rimlocks / Supplements

## Rim deadbolt

Ideal as complementary lock in combination with the main lock. It is installed with adjustable round cylinder T60 series.

- » Reversible, for both hands.
- » Regulable backset 50 and 60 mm.
- » Brass finished or satin nickel finished.

Model	Product code	Hand
Polished brass	8CERROYLP	Reversible
Satin nickel	8CERROYNS	Reversible



## Face plate

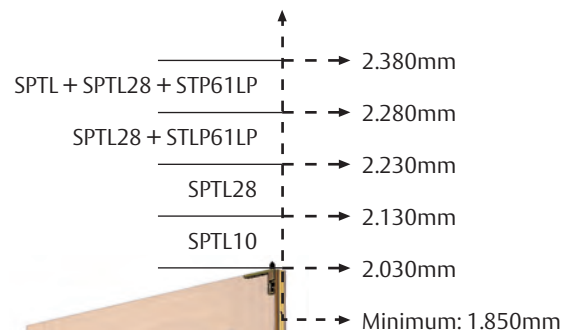
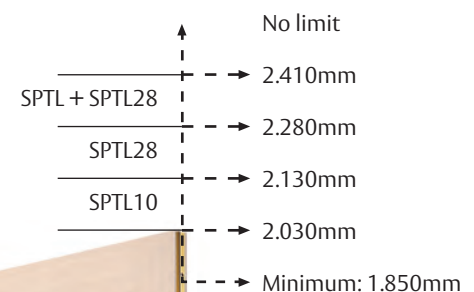
Face plate extensions SPTL10 and SPTL28 allow extending the face plate length up to any door size with mortise multipoint locks without top jamb locking bolt. Using the STLP61LP top jamb locking bolt rod extension allows reaching 2.460mm. in the T2B5, TLB5, TLP55, TLPN5 models.

Description	Product code	Finish
100 mm. face plate extensions	SPTL10AE	AE
100 mm. face plate extensions	SPTL10HN	HN
100 mm. face plate extensions	SPTL10LP	LP
100 mm. face plate extensions	SPTL10AI	AI
280 mm. face plate extensions	SPTL28AE	AE
280 mm. face plate extensions	SPTL28HN	HN
280 mm. face plate extensions	SPTL28LP	LP
280 mm. face plate extensions	SPTL28AI	AI
80 mm. z-profile face plate extensions with 40 mm.	ALCA21140	AE / AC
80 mm. z-profile face plate extensions with 45 mm.	ALCA21145	AE / AC
T2B5, TLB5, TLP55, TLPN5 face plate extensions	STLP61LP	LP
Hinge reinforcement (kit includes 3 units)	RB03	HZ



STLP61LP  
Top jamb locking bolt rod extension.

SPTL10 SPTL28



# Security escutcheons for mortise locks

## E800

Security  
\*\*\*\*  
\*\*\*\*\*

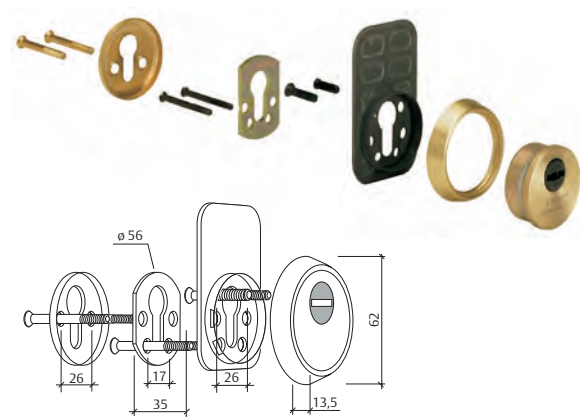
- » Both the internal and the external parts in the E900 weather proof escutcheon have received special platings.
- » The final result is a product that easily exceeds 500 hours under a salt spray with corrosion power as specified in the pan-European standard EN1670. This means doubling the highest level in the pan-European EN1670 standard (grade 4: 240 h.)
- » Plug covering lid has been given a 19 µm nickel plating and an additional µm of chrome plating
- » The brass outer shell in the escutcheon nucleus and the revolving brass ring has received a 19 µm nickel plating, one µm of gold plating and, a 15 µm LEC treatment and, finally, more than 80 µm of epoxy varnish.



## E700

Security  
\*\*\*\*  
\*\*\*\*

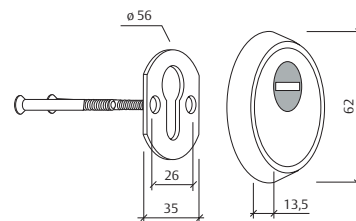
- » Escutcheon nucleus: Four stamped steel plates (2mm. each plate).
- » Plug covering lid in hardened steel.
- » Tempered steel plate for lock mechanism protection.
- » Six hardened steel screws for escutcheon fixing.
- » Laminated steel back fixing plate has 4mm. width.
- » The E700X special model will be required for use in combination with STS security cylinders: IX and CS systems.
- » Finishes: Satin brass and nickel plated brass.



## E700L

Security  
\*\*\*  
\*\*

- » Escutcheon nucleus: Two stamped steel plates (2mm. each plate).
- » Plug covering lid in hardened steel.
- » Two hardened steel screws for escutcheon fixing.
- » Laminated steel back fixing plate has 4mm. width.
- » Finishes: Satin brass and nickel plated brass.

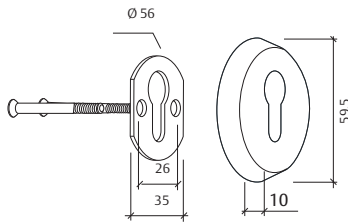


A

# Security escutcheons for mortise locks

## E300L

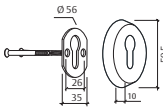
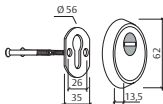
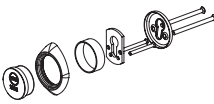
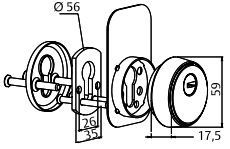
- » Anti-extraction solid brass exterior escutcheon.
- » Two hardened steel screws for escutcheon fixing.
- » Laminated steel back fixing plate has 4mm. width.
- » Finishes: Satin brass and nickel plated brass.
- » Very easy installation.

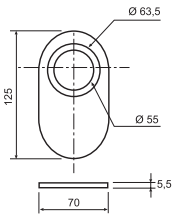
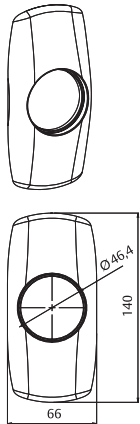


Security  
\*\*\*



## Security escutcheons

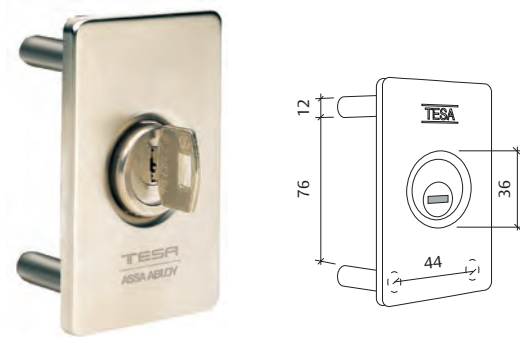
	Model	Product code	Finish
	E300L	E300L26	LM / CM
	E700L	E700L26	LM / LN / CM
		E70026	AI
		E70026	CM
	E700 outdoor	E70026	LM
		E70026	LN
		E70026	LPD
	E800 outdoor	E80026	PVD
	E800 outdoor	E80026	AI

	Model	Product code	Finish
	Key protector	EMB700	AE
	Key protector	EMB700	NM / ZN / CM
	Key protector	EMB855	AE
	Key protector	EMB855	NE
	Key protector	EMB855	LPD
	Key protector	EMB855	NS
	Key protector	EMB855	CM
	Key protector	EMB855	CM

# Security escutcheons for rim locks

## ESTS

- » Exterior protective escutcheon possesses a 4mm. thick tempered steel plate.
- » Four fixing rods in hardened steel.
- » Cylinder cover in nickel plated steel.
- » Plug covering lid in 3mm. thick nickel plated steel.
- » Exterior brass cover can be either satin brass or nickel plated finished.



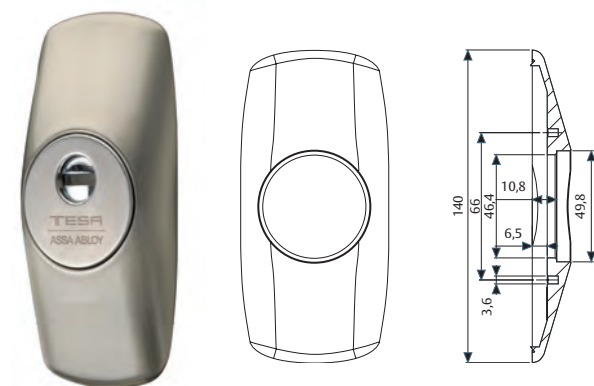
## EMB700

- » A practical complement that improves aesthetic appearance and prevents the door from being scratched with the key movements.
- » Compatible with any TESA ASSA ABLOY security escutcheon for mortise locks.



## EMB855

- » Handy complement for the E-800 protection strike, with the E700 being liable to be adapted as well.
- » Protection strike with 6 mm. thick tempered steel plate and block anchoring crossing both the door and the lock. Guarantees huge resistance to attacks.
- » Bolts or fixing rapiers in improved steel.
- » Fixing is done with two improved M6 screws.
- » Cover or embellishing strike that covers the plate and enhances the aesthetics of the whole.



Model	Product code	Finish
E300L	E300L26	LM / CM
E700L	E700L26	LM / LN / CM
E800 outdoor	E80026	PVD
E800 outdoor	E80026	AI
Key protector	EMB700	AE
Key protector	EMB700	NM/ZN/CM
Key protector	EMB855	AE
Key protector	EMB855	NE
Key protector	EMB855	LPD
Key protector	EMB855	NS
Key protector	EMB855	CM

# Full size strike plates

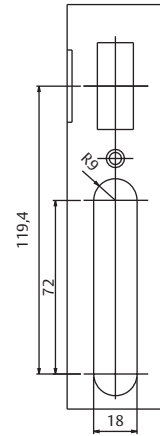
## Roller bolts

The strike holes for each roller bolt has a vertical play of 5,4mm. to prevent interference due to possible door dropping. Strikes with a single hole for each set of roller bolts are also available optionally. (CB3NC).

The full size strike plates with adjustable latch strike ease the latch horizontal fitting adjustment. These strikes also possess a closed steel striking box for the main lock, which provides a greater security level, as they prevent crowbar attack.



Detail of the latch horizontal adjustment and the closed box strike.



### Locks with three frontal locking points (TLB5)

Model	Width	Finish
CBAN: Standard strike		
CBAN	35	AE / HN
CBAN	40	AE / HL / HN
CBAN	45	AE / HL / HN
CBANR: Adjustable latch strike		
CBANR	40	AE

### Locks with five frontal locking points

Model	Width	Finish
CB5F: Adjustable latch strike		
CB5F	40	AE / HN
CB5F	45	AE

### Locks with floor & top jamb locking bolts (TLB3)

Model	Width	Finish
CB3N: Standard strike plate		
CB3N	35	AE / HN
CB3N	40	AE / HL / HN
CB3N	45	AE / HL / HN
CB3NC: Single holes for each bolt set		
CB3NC	40	AE / HN
CB3NC	45	AE / HN
CB3N5: 2.035mm. length version		
CB3N5	40	AE / HN
CB3N5	45	AE / HN
CB3R: Adjustable latch strike		
CB3R		
CB3R		

For use in: R200B, R100B, TCB and multipoint locks: TLB and T2B.

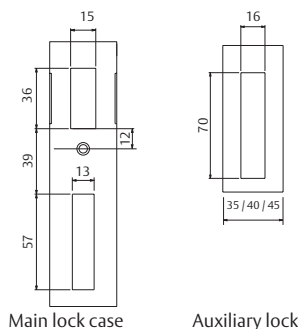
# Long strikes

## Deadbolts

For use in: R200N and multipoint locks TLPS and TLPN.

### Locks with floor & top jamb locking bolts (TLP5)

Model	Width	Finish
CLAN: Standard strike		
CLAN	35	AE
CLAN	40	AE / HL / HN
CLAN	45	AE
CLANR: Adjustable latch strike		
CLANR	40	AE
CLANR	45	AE



Main lock case

Auxiliary lock

### Upper and down point lock (TLP5)

Model	Width	Finish
CL3N: Standard strike		
CL3N	35	AE / HN
CL3N	40	AE / HL / HN
CL3N	45	AE / HL / HN
CL3N5: 2.035mm length version		
CL3N5	40	AE / HN
CL3N5	45	AE / HN
CL3R: Adjustable latch strike		
CL3R	40	AE
CL3R	45	AE

### 5 frontal points lock (TLPF)

Model	Width	Finish
CL5R: Adjustable latch strike		
CL5R	40	AE / HN
CL5R	45	AE / HL

### For TLPN3 / TLPS3 locks

Model	Width	Finish
Standard length 2028		
CL3N	35 / 40 / 45	AE / AC
CL3N	40 / 45	HL
CL3N	35 / 40 / 45	HN
2.035mm length version		
CL3N	40 / 45	AE
CL3N	40 / 45	HN
2.108mm length version		
CL3N	40 / 45	AE
CL3N	40 / 45	HN
Adjustable latch strike		
CL3R	40 / 45	AE / AC
CL3R	40 / 45	HL

### For TLPN5 / TLPS5 locks

Model	Width	Finish
Standard		
CLAN	40 / 45	AE / AC
CLAN	40 / 45	HL
CLAN	40 / 45	HN
Standard strike		
CLANR	40 / 45	AE / AC

### Locks with five frontal locking points TLPF

Model	Width	Finish
Adjustable latch strike		
CL5R	40 / 45	AE / AC
CL5R	40 / 45	HL



# Short strike plates

## Roller bolts

For T2B3, TLB3, CANB3 T2B5 locks

Standard	Model	Width	Finish
Length 2028	CB3N	35 / 40 / 45	AE / AC
	CB3N	40 / 45	AI
	CB3N	35 / 40 / 45	HN / HL
Length 2035	Model	Width	Finish
	CB3N	40 / 45	AE
	CB3N	40 / 45	HN
Length 2018	Model	Width	Finish
	CB3N	40 / 45	AE
	CB3N	40 / 45	HN
Standard single hole	Model	Width	Finish
	CB3NC	35 / 40 / 45	AE
	CB3NC	40 / 45	HN
Closed box locking and adjustable latchkeeper	Model	Width	Finish
	CB3R	40 / 45	AE

For TLB5 locks

Standard	Model	Width	Finish
Length 2028	CBAN	35 / 40 / 45	AE / AC
	CBAN	40	AI
	CBAN	35 / 40 / 45	HN / HL
Length 2035	Model	Width	Finish
	CBANR	40	AE / AC

For XP - XT Premium locks

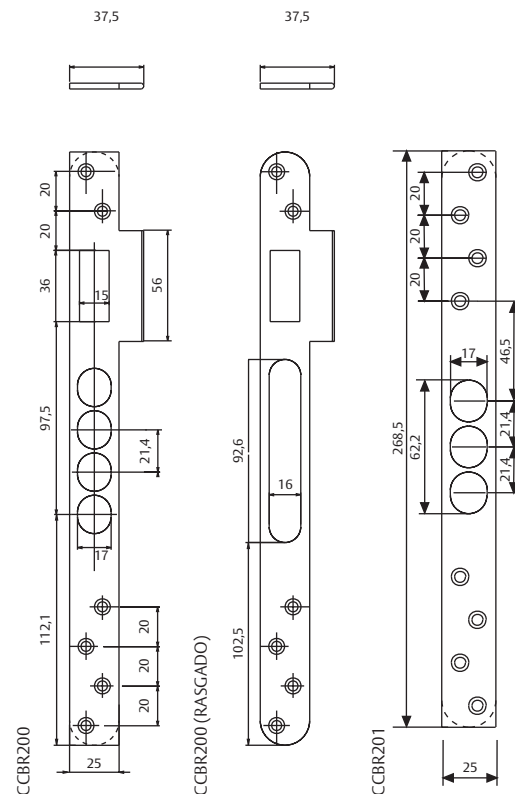
XP3 - XT3	Model	Width	Finish
Length 2028	CB3X	40 / 45	AE / AC
	CB3X	40 / 45	AI
Length 2035	Model	Width	Finish
	CB5X	40 / 45	AE / AC
	CB5X	40 / 45	AI

For TLBF - CANBF locks

Closed box locking and adjustable latchkeeper	Model	Width	Finish
Length 2028	CB5F	40 / 45	AE / AC
	CB5F	40	HL / HN
	CB5F	40 / 45	AI
Close box locking and adjustable latchkeeper length 2.108	Model	Width	Finish
	CB5F	40 / 45	AE

Short strikes for roller

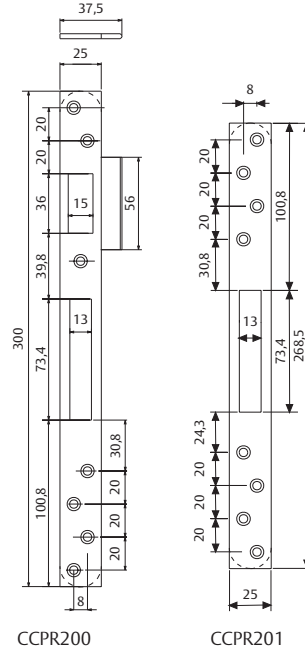
For locks	Product code	Finish
R100B / R200B / Central TLB-T2B	CCBR200	AE / AC / HL / HN
R100B / R200B / Central TLB-T2B	CCBR200	AI
Same as above with rounded edges	CCBR200	RE / RC / RL / RN
Same as above with rounded edges	CCBR200R	AI
Rounded edges and single hole	CCBR20C	RE / RL / RN
Rounded edges and single hole	CCBR201	AI
R101B / R201B / Upper-lower roller bolts	CCBR201	AE / AC / HL / HN
R101B / R201B / Upper-lower roller bolts	CCBR201	AI
Same as above with rounded edges	CCBR201	RE / RC / RL / RN
Same as above with rounded edges	CCBR201R	AI



# Short strike plates

## Deadbolts

For locks	Product code	Finish
R200N / Central case roller bolt	CCPR200	AE / HL / HN
R200N / Central case roller bolt	CCPR200	AI
R200N / Rounded edges and single hole	CCPR200	RE / RL / RN
R200N / Rounded edges and single hole	CCPR200R	AI
R201N / Upper-lower rollers bolts	CCPR201	AE / HL / HN
R201N / Upper-lower rollers bolts	CCPR201	AI
R201N / Same as above with rounded edges	CCPR201	RE / RL / RN
R201N / Rounded edges and deadbolt hole	CCPR201R	AI







---

**ASSA ABLOY**

Talleres de Escoriaza, S.A.U.  
Barrio Ventas, 35 • E-20305 Irun • SPAIN  
Tel.: +34 943 669 100 • Fax: +34 943 633 221  
[www.tesa.es](http://www.tesa.es)

ASSA ABLOY is the global leader in door opening solutions,  
dedicated to satisfying end-user needs for security, safety and convenience