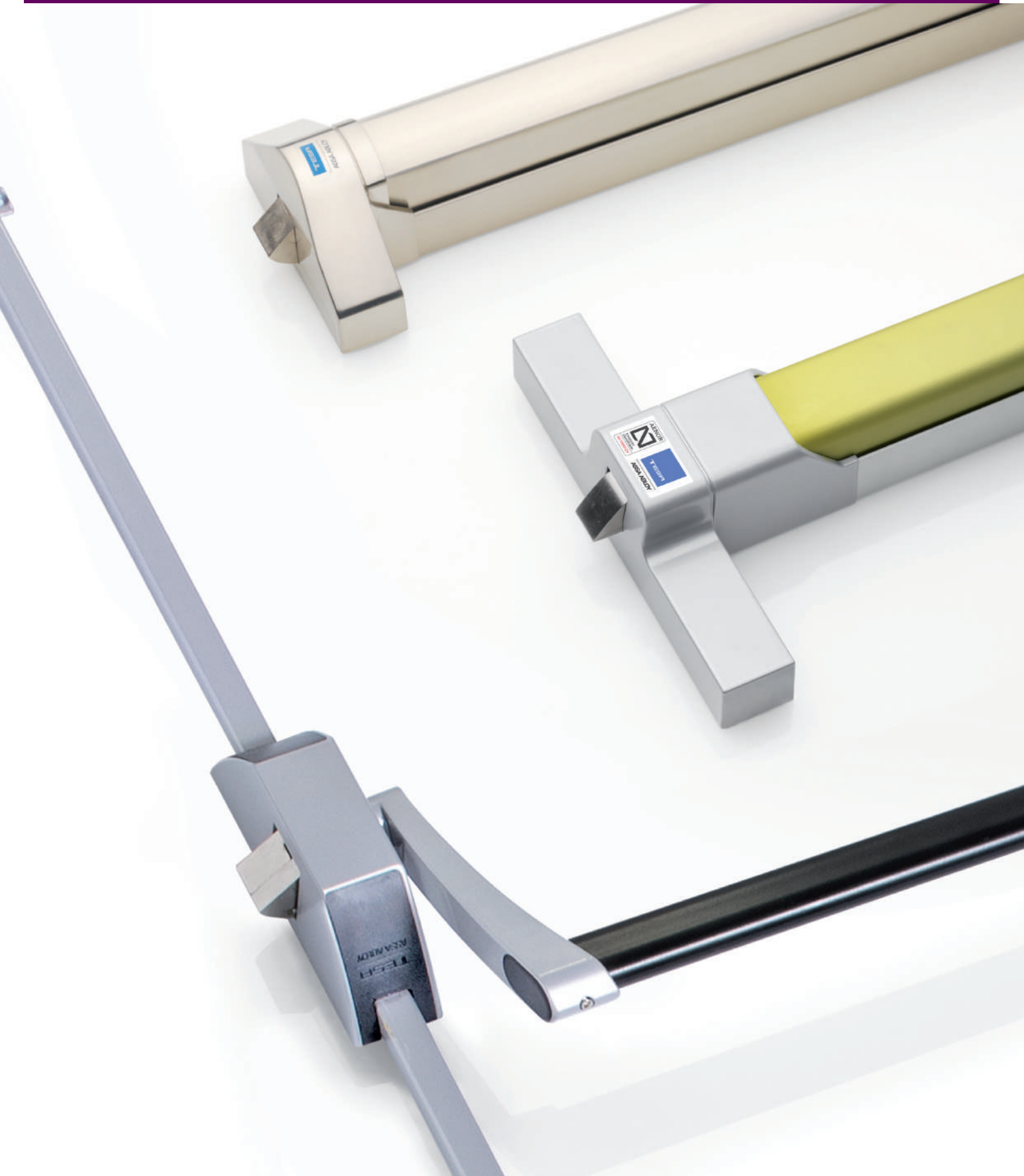


Panic exit devices

TESA

ASSA ABLOY



Exit panic devices for safe evacuations



Public buildings and most industrial, official and commercial buildings are generally confronted to two main problems: safety and security.

TESA offers several solutions for emergency exit equipment, allowing for secure and efficient eva-

cuations in panic or emergency situations.

TESA's product range has been certified by independent labs that meet the requirements established by the European Standard.

What can TESA's exit panic devices offer the market?

TESA's products have been certified according to the most demanding standards. It's a wide offer, ranging from cost-competitive technical products to electromechanical solutions in keeping with the latest design trends.

Plus they are perfectly integrated with TESA's range of locks, cylinders and handles.



Integral solutions

TESA has made a great effort to ensure that this range of exit panic devices can be installed along with an access control and electromechanical locks among other devices, thus increasing the security of goods. Our exit panic devices can be a part of an integral electromechanical solution, in those cases in which allowing for the evacuation in a panic situation is just as important as restricting access to the building.



Personal safety

Personal safety and security of goods are two main goals at the stage of development and manufacturing, looking for a stable process that guarantees a secure, controlled product. The employed materials meet the requirements that are usually demanded from these exit panic devices.

One design requirement is that doors must be easily open with the minimum effort (children, elderly or disabled people...) and with no previous knowledge of the device. It will not be necessary to use a key or any other objects.



A wide range

TESA has a wide range of exit panic devices, always offering the customer the product that fits in best with his/her demands. Depending on the operation mode, TESA offers exit panic devices that can be operated with a push bar or a touch bar, allowing for a microswitch, motorizing, exit panic devices for the disabled, products with mortise floor strikes designed for the passage of stretchers and wheelchairs in hospitals, devices with 1, 2 or 3 anchor points, devices for mortise locks, rim devices, devices compatible with RF doors,...



Exit panic devices and emergency devices

When fire occurs inside a building, very often it's not the fire but the smoke that takes human lives, and above all it's the panic caused by fire. For this reason it's important to have always enough exit panic ways.

The European Commission has publicized the Harmonized Standards regarding Exit Panic Devices (EN 1125) and Emergency Devices (EN179). The purpose of the performance requirements included in the UNE EN1125 is to allow for secure and efficient evacuations through the door, with the minimum effort required from those who are not familiar with it. The UNE EN179 standard deals with devices used in emergency situations where those who must be evacuated are already familiar with the door through which the evacuation takes place.



Guaranteed by TESA

Our exit panic devices have been manufactured under AENOR's "N" quality mark. All products manufactured under the "N" mark are regularly controlled and subject to random testing according to the brand's particular set of standards and the regulations established by EN1125 or EN179. Tests are carried out under AENOR's supervision in a lab certified by AENOR and accredited by ENAC.

Branded EC

The Standard for Construction Products (89/106/CEE) establishes that all products used for doors installed in emergency exits must be branded EC in order to guarantee the user's security. For this reason, every TESA panic device has been certified, with standards way above the minimum mark established by the Standard.



Indice

Contents

PUSH TYPE panic exit devices	6	TOP range accessories	34
Global range	6	RIM series electric strikes	34
CE classification for Global range	7	TOP range options	34
N classification for Global range	7		
Rim model: GLOBAL1S	8	TOUCH TYPE panic exit devices.	
Rim model: GLOBAL2S	9	Quick range	36
Rim model: GLOBAL 20	10	CE classification for QUICK range	36
Rim model: GLOBAL 3S	11	Rim model: QUICK1S	37
Rim model: GLOBAL3SL	12	Rim model: QUICK3S	38
Single leaf MORTICE solution GLOBAL1E	13	Rim model: QUICK3SL	39
Double leaf MORTICE solution	14	Rim model: QUICK20	40
		Single leaf MORTICE solution QUICK1E	41
		Double leaf MORTICE solution QUICK1E	42
Outside Access devices for GLOBAL serie		QUICK range accessories	45
RIM series outside access device	15	Panic device for people with reduced mobility	47
MORTICE series outside access device	16	PUSH type GLOBAL 1DC / 3DC	48
		TOUCH type (type B) TOP1D / TOP2D	50
Accessories for Global series	17	RIM series outside access device (TOP1D and TOP2D)	51
TOUCH TYPE panic exit devices	20	QUICK1D / QUICK3D	52
TOP range	20	RIM series outside access device	53
CE classification for TOP range	21		
Rim model: TOP1S	22	Emergency exit devices	54
Rim model: TOP3S	23	Global Serie push pad.	54
Rim model: TOP20	24		
Single leaf MORTICE solution	25		
Double leaf MORTICE solution	26		
Motorized panic exit devices	27		
TOP Rim series	27		
Rim model: TOPM1S and TOPM3S	28		
TOP UL range	29		
Outside Access devices for TOP range	32		
RIM series outside access device	32		
MORTICE series outside access device	33		

Push type panic exit devices

NEW

GLOBAL series

GLOBAL is the new range of PANIC EXIT DEVICES activated by a steel tube. It is CE certified according to UNE-EN1125 and designed for a high traffic of people.

It stands out for its ease of installation and a new aesthetic based on new geometries of straight lines and the combination of different materials in the cover. Its easy reversibility, the possibility of having a cylinder inside and its wide range of finishes, measurements and accessories make it a versatile panic exit device that allows you to customize it for adjust it to the client's needs. Its mechanism is optimized to guarantee easy and fast evacuation in case of emergency at all times. It is certified for use on fire rate doors..

This new range of TESA ASSA ABLOY panic exit devices is available in flush-mounted and surface-mounted versions. It has the following characteristics:

- » New design of mechanisms that offer optimal performance guaranteeing safety of people with very low opening forces.
- » Certified according to EN 1125:2008 standard for the following locks: 2035T - 2037F - 4039T - 2032F - CF60 - CF32 - 2240BA - 2230PA*
- » Easily installed:*
 - Does not require a base plate.
 - The mechanisms can be pre-installed, with cover, allowing installation of the panic exit device (arms and tube) to be completed at a later stage. This protects the panic exit device from knocks and dirt during the execution of the work.
- » 9 mm follower rod*
- » Reversible
- » Narrow supports
- » Cuttable
- » Microswitch option
- » Option for cylinder on the inside, distance of 72 mm or 85 mm*
- » Available in Antimicrobial finish
- » Suitable for fire rated doors
- » Easily installed on any door type (metal, wood, narrow profile, glass, etc.)

* Characteristics of flush-mounted models only.



Acabados

Supports		Tube						
Cover	Side arm cover	Grey	Green	Red	Black	White	Titanium	Stainless Steel
Grey	Black	•	•	•	•			
White	Black					•		
Titanium	Black						•	•
Satin	Black							•
Black	Black			•	•			
Stainless Steel	-							•
Anti MICROBIAL		•				•	•	•

• Grey (RAL9006) • Black (RAL9005) • White (RAL9010) • Red (RAL3000) • Green (RAL6002) • Stainless Steel (AISI304)

Push type panic exit devices

CE Classification for GLOBAL series

CLASSIFICATION	Grade	Description
1°. Category of use	3	High frequency of use
2°. Durability	6 – 7	(6) 100.000 - (7) 200.000 cycles
3°. Door mass	5 – 6 – 7	(5) ≤100Kg - (6) ≤200Kg - (7) >200Kg
4°. Suitability for use on fire/ smoke doors	0 – A – B	(0) Not approved for use on fire/smoke door assemblies - (A) Suitable for use on smoke door assemblies - (B) Suitable for use on smoke and fire door assemblies
5°. Safety	1	Only one grade of safety shall be used (Grade 1). All panic exit devices have a critical safety function, therefore only the top grade (Grade 1) is identified for the purpose of this European Standard.
6°. Corrosion resistance	3 – 4	(3) ≤96h – (4) ≤240h
7°. Security	2	Only one grade of security shall be used (Grade 2).
8°. Projection of horizontal bar	1 – 2	(1) ≤150mm – (2) ≤100mm
9°. Type of horizontal bar operation	A - B	(A) Push-bar - (B) Touch-bar
10°. Field of door application	A – B - C	(A) Single door, double door: active or inactive leaf - (B) single door only - (C) double door, inactive leaf only

MODEL	Category of use	Durability	Door mass	Suitability for use on fire/smoke doors	Safety	Corrosion resistance	Security	Projection of horizontal bar	Type of horizontal bar operation	Field of door application
GLOBAL1S	3	7	6	B	1	3	2	2	A	A
GLOBAL2S	3	7	6	B	1	3	2	2	A	A
GLOBAL20	3	7	6	B	1	3	2	2	A	A
GLOBAL3S	3	7	6	B	1	3	2	2	A	A
GLOBAL3L	3	7	6	B	1	3	2	2	A	A
GLOBAL1E+2035T	3	7	6	B	1	3	2	2	A	A
GLOBAL1E+2037F	3	7	6	B	1	3	2	2	A	A
GLOBAL1E+4039T	3	7	6	B	1	3	2	2	A	A
GLOBAL1E+2032F	3	7	6	B	1	3	2	2	A	C
GLOBAL1E+CF60	3	7	6	B	1	3	2	2	A	A
GLOBAL1E+CF32	3	7	6	B	1	3	2	2	A	C
GLOBAL1E+2240BA	3	6	6	0	1	3	2	2	A	B
GLOBAL1E+2230PA	3	6	6	0	1	3	2	2	A	B
GLOBAL 1DC	3	7	6	B	1	3	2	2	A	A
GLOBAL 3DC	3	7	6	B	1	3	2	2	A	A

Push type panic exit devices

Rim model: GLOBAL1S

Rim panic exit device 1 lateral locking point.
Latch with anti-card device.



EN 1125 certification:

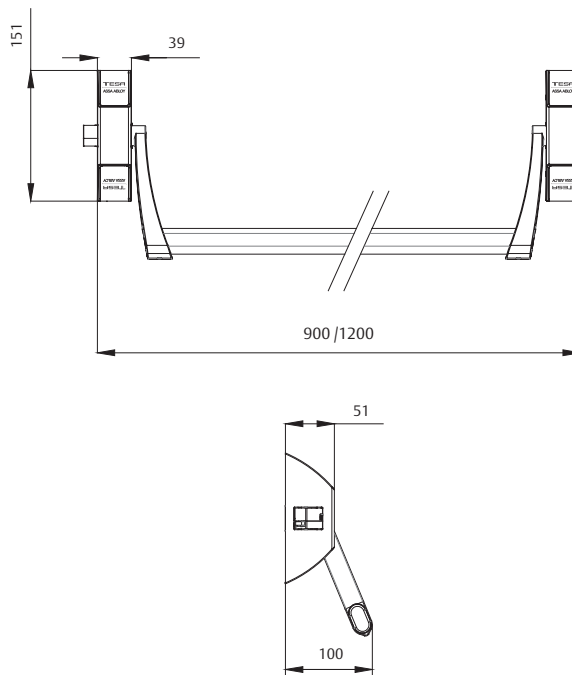
3 7 6 B 1 3 2 2 A A

The packaging includes:

- » 1 main support, including mechanism, cover and arm.
- » 1 auxiliary support, including mechanism, cover and arm.
- » 1 horizontal tube.
- » Bag of accessories with mounting plate, follower, mounting screws, caps for arms and strikes.
- » Assembly instruction sheet.
- » Installation template.

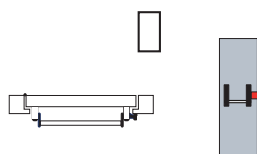


Model	Length (mm)	Finish	Product code
GLOBAL1S	900 mm	Grey - Grey	GL1S908GG
		Grey - Black	GL1S908GN
		Satin - Stainless Steel	GL1S908SI
		White - White	GL1S908BB
		Titanium - Stainless Steel	GL1S908TI
		Satin - Black	GL1S908SN
		Stainless Steel - Stainless Steel	GL1S908II
		Titanium - Titanium	GL1S908TT
		Grey - Red	GL1S908GR
		Grey - Green	GL1S908GV
		Black - Black	GL1S908NN
		Black - Red	GL1S908NR
		GLOBAL1S	1.200 mm
Grey - Black	GL1S208GN		
Satin - Stainless Steel	GL1S208SI		
White - White	GL1S208BB		
Titanium - Stainless Steel	GL1S208TI		
Satin - Black	GL1S208SN		
Stainless Steel - Stainless Steel	GL1S208II		
Titanium - Titanium	GL1S208TT		
Grey - Red	GL1S208GR		
Grey - Gree	GL1S208GV		
Black - Black	GL1S208NN		
Black - Red	GL1S208NR		

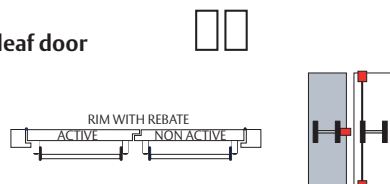


Configuration

1 leaf door



2 leaf door



Push type panic exit devices

Rim model: GLOBAL2S

Rim panic exit device with 2 vertical locking points (top and bottom). Latch with anti-card device.

EN 1125 certification:

3 7 6 B 1 3 2 2 A A

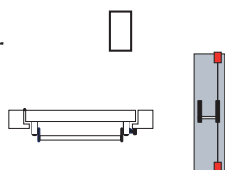
The packaging includes:

- » 1 main support, including mechanism, cover and arm.
- » 1 auxiliary support, including mechanism, cover and arm.
- » 1 horizontal tube.
- » 2 top/bottom locking points, including mechanism and covers.
- » 2 vertical rods.
- » Bag of accessories with mounting plate, follower, mounting screws, rod guide, caps for arms and strikes.
- » Assembly instruction sheet.
- » Installation template.

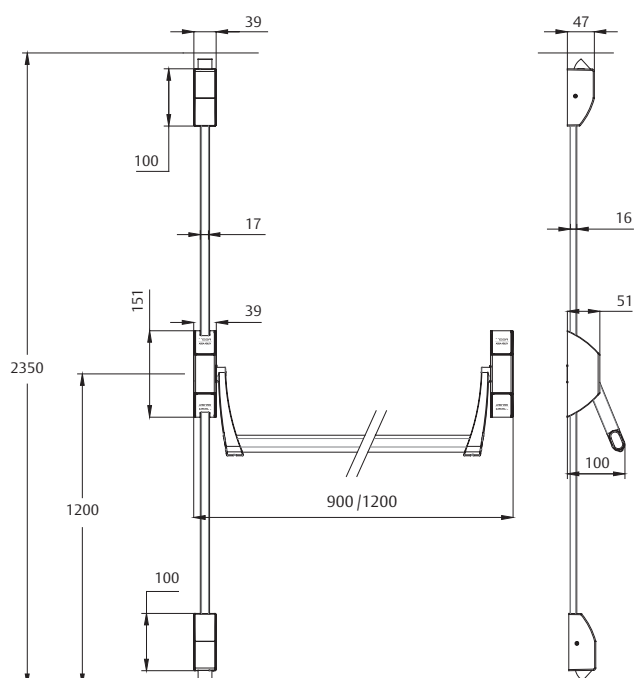
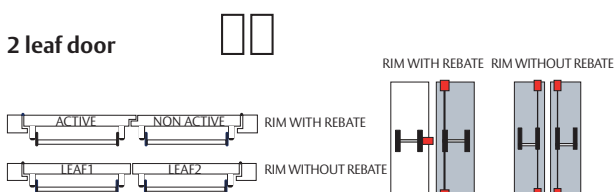
Model	Length (mm)	Finish	Product code		
GLOBAL2S	900 mm	Grey - Grey	GL2S908GG		
		Grey - Black	GL2S908GN		
		Satin - Stainless Steel	GL2S908SI		
		White - White	GL2S908BB		
		Titanium - Stainless Steel	GL2S908TI		
		Satin - Black	GL2S908SN		
		Stainless Steel - Stainless Steel	GL2S908II		
		Titanium - Titanium	GL2S908TT		
		Grey - Red	GL2S908GR		
		Grey - Green	GL2S908GV		
		Black - Black	GL2S908NN		
		Black - Red	GL2S908NR		
		GLOBAL2S	1.200 mm	Grey - Grey	GL2S208GG
				Grey - Black	GL2S208GN
Satin - Stainless Steel	GL2S208SI				
White - White	GL2S208BB				
Titanium - Stainless Steel	GL2S208TI				
Satin - Black	GL2S208SN				
Stainless Steel - Stainless Steel	GL2S208II				
Titanium - Titanium	GL2S208TT				
Grey - Red	GL2S208GR				
Grey - Gree	GL2S208GV				
Black - Black	GL2S208NN				
Black - Red	GL2S208NR				

Configuration

1 leaf door



2 leaf door



Push type panic exit devices

Rim model: GLOBAL20

Rim panic exit device with 2 vertical locking points (top and bottom) with bolts.

EN 1125 certification:

3 7 6 B 1 3 2 2 A A

The packaging includes:

- » 1 main support, including mechanism, cover and arm.
- » 1 auxiliary support, including mechanism, cover and arm.
- » 2 top/bottom bolted locking points, including mechanisms and covers.
- » 1 horizontal tube.
- » 2 vertical rods.
- » Bag of accessories with mounting plate, follower, mounting screws, rod guide, caps for arms and strikes.
- » Assembly instruction sheet.
- » Installation template.

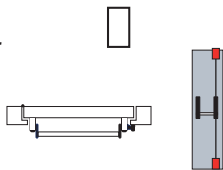
Anti
MICROBIAL



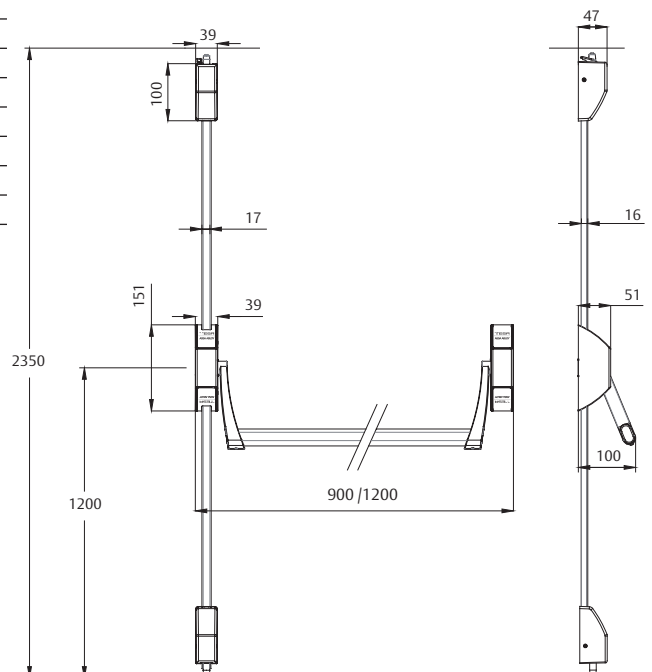
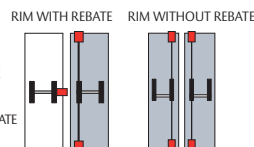
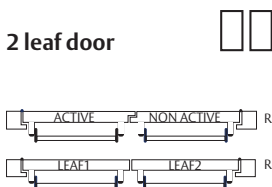
Model	Length (mm)	Finish	Product code
GLOBAL20	900 mm	Grey - Grey	GL20908GG
		Grey - Black	GL20908GN
		Satin - Stainless Steel	GL20908SI
		White - White	GL20908BB
		Titanium - Stainless Steel	GL20908TI
		Satin - Black	GL20908SN
		Stainless Steel - Stainless Steel	GL20908II
		Titanium - Titanium	GL20908TT
		Grey - Red	GL20908GR
		Grey - Green	GL20908GV
		Black - Black	GL20908NN
		Black - Red	GL20908NR
		Grey - Grey	GL20208GG
		Grey - Black	GL20208GN
GLOBAL20	1.200 mm	Satin - Stainless Steel	GL20208SI
		White - White	GL20208BB
		Titanium - Stainless Steel	GL20208TI
		Satin - Black	GL20208SN
		Stainless Steel - Stainless Steel	GL20208II
		Titanium - Titanium	GL20208TT
		Grey - Red	GL20208GR
		Grey - Gree	GL20208GV
		Black - Black	GL20208NN
		Black - Red	GL20208NR

Configuration

1 leaf door



2 leaf door



Push type panic exit devices

Rim model: GLOBAL3S

Rim panic exit device with 3 locking points: central with anti-card device and vertical locking points (top and bottom).

EN 1125 certification:

3 7 6 B 1 3 2 2 A A

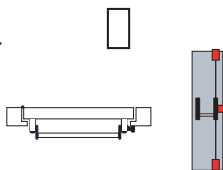
The packaging includes:

- » 1 main support, including mechanism, cover and arm.
- » 1 auxiliary support, including mechanism, cover and arm.
- » 2 top/bottom locking points, including mechanisms and covers.
- » 1 horizontal tube.
- » 2 vertical rods.
- » Bag of accessories with mounting plate, follower, mounting screws, rod guide, caps for arms and strikes.
- » Assembly instruction sheet.
- » Installation template.

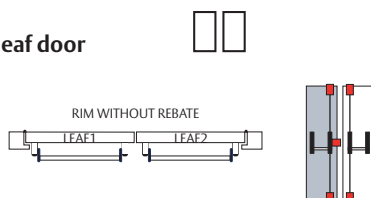
Model	Length (mm)	Finish	Product code		
GLOBAL3S	900 mm	Grey - Grey	GL3S908GG		
		Grey - Black	GL3S908GN		
		Satin - Stainless Steel	GL3S908SI		
		White - White	GL3S908BB		
		Titanium - Stainless Steel	GL3S908TI		
		Satin - Black	GL3S908SN		
		Stainless Steel - Stainless Steel	GL3S908II		
		Titanium - Titanium	GL3S908TT		
		Grey - Red	GL3S908GR		
		Grey - Green	GL3S908GV		
		Black - Black	GL3S908NN		
		Black - Red	GL3S908NR		
		GLOBAL3S	1.200 mm	Grey - Grey	GL3S208GG
				Grey - Black	GL3S208GN
Satin - Stainless Steel	GL3S208SI				
White - White	GL3S208BB				
Titanium - Stainless Steel	GL3S208TI				
Satin - Black	GL3S208SN				
Stainless Steel - Stainless Steel	GL3S208II				
Titanium - Titanium	GL3S208TT				
Grey - Red	GL3S208GR				
Grey - Green	GL3S208GV				
Black - Black	GL3S208NN				
Black - Red	GL3S208NR				

Configuration

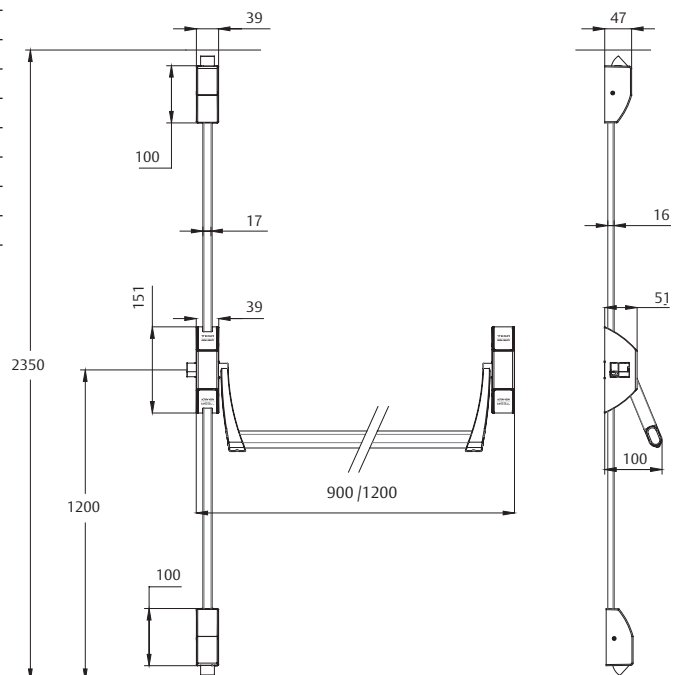
1 leaf door



2 leaf door



Anti
MICROBIAL



Push type panic exit devices

Rim model: GLOBAL3L

Rim panic exit device with 3 locking points: central with anti-card device and lateral locking points (top and bottom).
Latch with anti-card device.
EN 1125 certification:

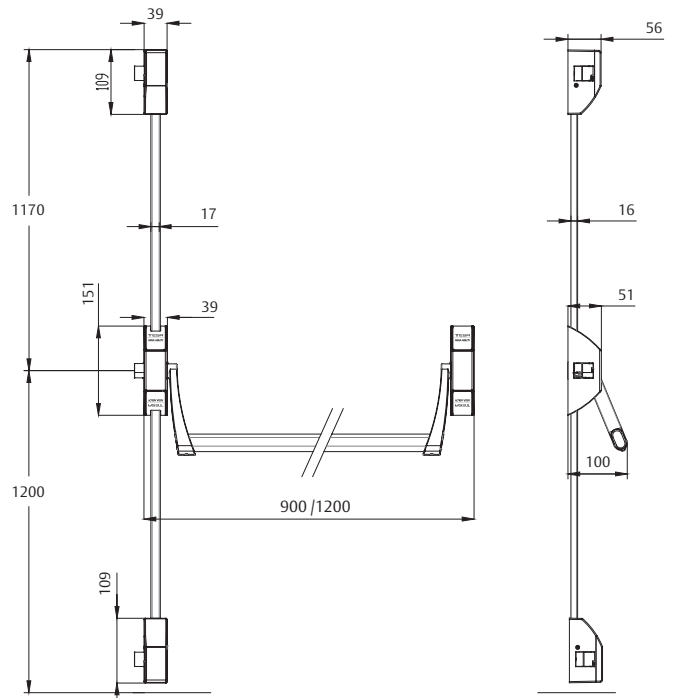
3 7 6 B 1 3 2 2 A A

The packaging includes:

- » 1 main support, including mechanism, cover and arm.
- » 1 auxiliary support, including mechanism, cover and arm.
- » 2 top/bottom locking points, including mechanisms and covers.
- » 1 horizontal tube.
- » 2 vertical rods.
- » Bag of accessories with mounting plate, follower, mounting screws, rod guide, caps for arms and strikes.
- » Assembly instruction sheet.
- » Installation template.

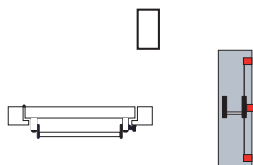
Model	Length (mm)	Finish	Product code
GLOBAL3L	900 mm	Grey - Grey	GL3L908GG
		Grey - Black	GL3L908GN
		Satin - Stainless Steel	GL3L908SI
		White - White	GL3L908BB
		Titanium - Stainless Steel	GL3L908TI
		Satin - Black	GL3L908SN
		Titanium - Titanium	GL3L908TT
		Grey - Red	GL3L908GR
		Grey - Green	GL3L908GV
		Black - Black	GL3L908NN
GLOBAL3L	1.200 mm	Black - Red	GL3L908NR
		Grey - Grey	GL3L208GG
		Grey - Black	GL3L208GN
		Satin - Stainless Steel	GL3L208SI
		White - White	GL3L208BB
		Titanium - Stainless Steel	GL3L208TI
		Satin - Black	GL3L208SN
		Titanium - Titanium	GL3L208TT
		Grey - Red	GL3L208GR
		Grey - Green	GL3L208GV
GLOBAL3L	1.200 mm	Black - Black	GL3L208NN
		Black - Red	GL3L208NR

Anti
MICROBIAL

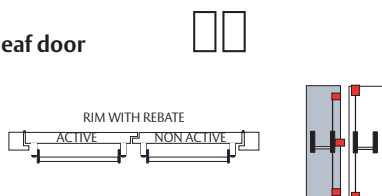


Configuration

1 leaf door



2 leaf door



Push type panic exit devices

Mortice model: single leaf solution

EN 1125 certificate in the 2 configurations: Global1E + CF60, GLOBAL1E + 2035T/ 4039T/ 2037F and GLOBAL1E + 2230PA / 2240BA.

Anti
MICROBIAL



3 7 6 B/0* 1 3 2 2 A A/B**

* B: VALID for fire rated doors: CF60 – 2035T – 2037F – 4039T

* 0: NOT VALID for fire rated doors: 2240BA – 2230PA

** A: CF60 – 2035T – 2037F – 4039T

** B: 2240BA – 2230PA

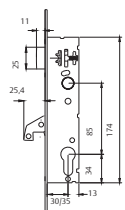
1. Panic exit devices

The packaging includes:

- » 1 oval shape horizontal bar 775/1075 mm in length.
- » Cover set.
- » Arm set.
- » 1 main support with 9 mm follower and 1 auxiliary support.
- » Assembly instructions and Installation template.
- » Accessories bag with:
 - Fixing screws
 - Plastic side arm cover

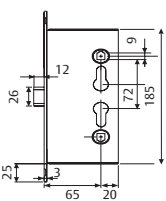


2. Locks

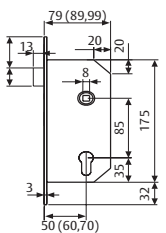


2240BA. Single point.
8mm follower.
Handed.

2230PA. Multiple point.
8mm follower.
Handed. Solution for single leaf doors only.



CF60.
9 mm follower.
Reversible.



2035T. 8 mm follower. Handed.
Cylinder not allow for free opening doors.

2037F. 8 mm follower. Reversible.
External cylinder for locking & unlocking external follower.

4039T. 8 mm follower. Handed.
External cylinder for door opening.

4. Cylinders

Any type of TESA ASSA ABLOY cylinder can be used, this facilitating the Masterkeying. Option of cylinder inside 72 mm and 85 mm.

3. Outside devices

The outside device must be selected depending on the type of lock. Two models are available: one for CF60 lock and the other suitable for 2035T, 2037F, 4039T, 2230BA and 2240PA.

Model	Tube Length	Follower mm	Cover finish	Tube finish	Product code
GLOBAL1E	775	9	Grey	Grey	GL1E909GG
GLOBAL1E	1075	9	Grey	Grey	GL1E209GG
GLOBAL1E	775	9	Grey	Black	GL1E909GN
GLOBAL1E	1075	9	Grey	Black	GL1E209GN
GLOBAL1E	775	9	Grey	Red	GL1E909GR
GLOBAL1E	1075	9	Grey	Red	GL1E209GR
GLOBAL1E	775	9	Grey	Green	GL1E909GV
GLOBAL1E	1075	9	Grey	Green	GL1E209GV
GLOBAL1E	775	9	Titanium	Titanium	GL1E909TT
GLOBAL1E	1075	9	Titanium	Titanium	GL1E209TT
GLOBAL1E	775	9	White	White	GL1E909BB
GLOBAL1E	1075	9	White	White	GL1E209BB
GLOBAL1E	775	9	Titanium	Stainless Steel	GL1E909TI
GLOBAL1E	1075	9	Titanium	Stainless Steel	GL1E209TI
GLOBAL1E	775	9	Satin	Stainless Steel	GL1E909SI
GLOBAL1E	1075	9	Satin	Stainless Steel	GL1E209SI
GLOBAL1E	775	9	Stainless Steel	Stainless Steel	GL1E909II
GLOBAL1E	1075	9	Stainless Steel	Stainless Steel	GL1E209II
GLOBAL1E	775	9	Black	Black	GL1E909NN
GLOBAL1E	1075	9	Black	Black	GL1E209NN
GLOBAL1E	775	9	Black	Red	GL1E909NR
GLOBAL1E	1075	9	Black	Red	GL1E209NR

5. Squares spindles

Select the square spindle according to the lock and outside device. See available range on page. 19.

Mortise panic device

Mortise model: double leaf solution

EN 1125 certificate for GLOBAL1E + CF32
and GLOBAL1E + 2032F

3 7 6 B 1 3 2 2 A C

Active leaf

Use a GLOBAL1E+CF60 lock or GLOBAL1E+2035T/2037F/4039T lock
+ outside accessory.
See references in page 13.

Inactive leaf

1. Panic Exit Device

The same as active door. See references in page 13.

2. Counterlocks

CF32: Ref. CF322EN1SR9Z/I CE. Reversible. 9 mm follower.
2032F: Ref. 2032F6RAI. Reversible. 8mm follower.

Both the top and bottom have screwed clasps to hold in place
the vertical rods. Manual and panic operation modes on the same
lock.

3. Vertical rod retainer

Ref.: RETCF32R. It is placed inside of the upper part of the door leaf,
at the closing point. Operation: activating the panic device, the
vertical rods are released from their clasps and are engaged by the
retainer. When closing the door the retainer Ref.: RETCF32R hits the
strike releasing the movement of the vertical rods and allowing the
door to be closed.

4. Vertical rods (upper and lower).

CF32: Ref. BARVECF32CE.

2032F: Ref. BARVE2032FCE

One end finishes with a roller bolt for the locking points and the
other has screwed ends to enable union with the counterlock. This
Product code also includes the top and bottom strikes.

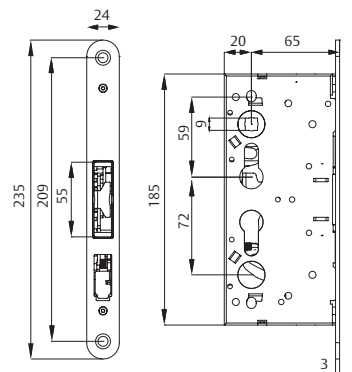
5. Square spindles

Select the square spindle according to the lock a.

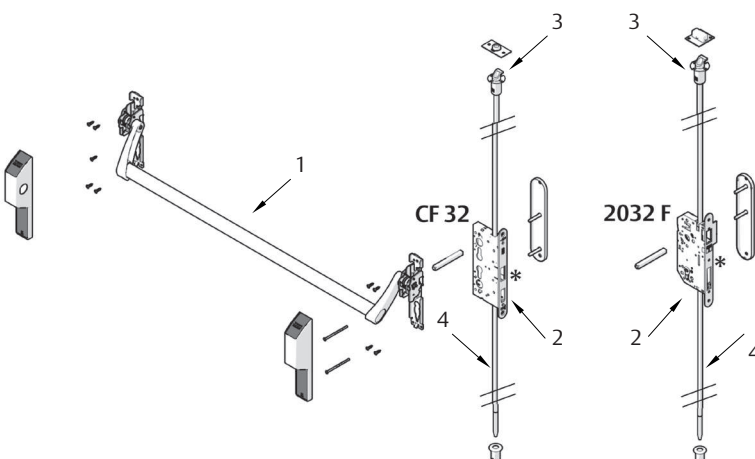
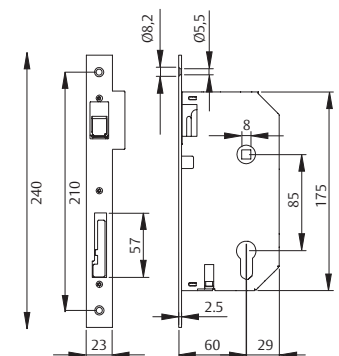
See available range on page. 19.



CF32



2032F



Outside device for GLOBAL series

Outside devices. Rim models (GLOBAL1S, GLOBAL2S, GLOBAL20, GLOBAL3S y GLOBAL3L)

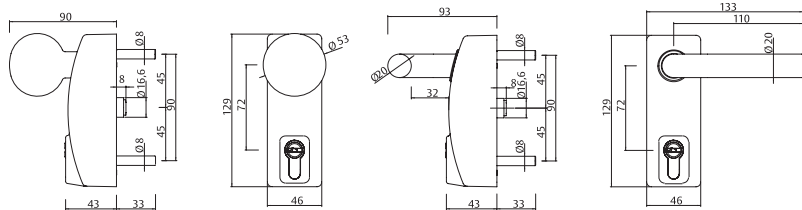
Modular lever handle



30 x 10 cylinder with $r=15$ mm available with all systems.

8 mm follower

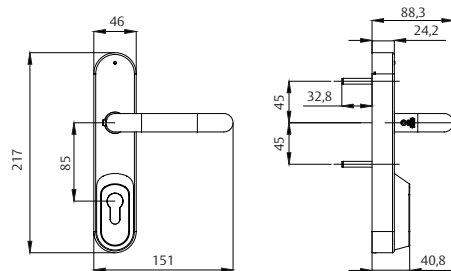
Outside device	Cylinder	Product code
Modular lever handle black RAL 9005	--	MMODMPSCNE
Modular lever handle silver RAL 9006	--	MMODMPSCGR
Modular lever handle nickel plated	--	MMODMPSSAT
Modular lever handle with euro-profile black RAL 9005	TE-5	MMODMBT5NE
Modular lever handle with euro-profile silver RAL 9006	TE-5	MMODMBT5GR
Modular lever handle with euro-profile nickel plated	TE-5	MMODMBTSAT
Modular lever handle with euro-profile black RAL 9005	--	MMODMBSCNE
Modular lever handle with euro-profile silver RAL 9006	--	MMODMBSCGR
Modular lever handle with euro-profile nickel plated	--	MMODMBSSAT
Modular swing pull knob with euro-profile black RAL 9005	TE-5	MMODPBT5NE
Modular swing pull knob with euro-profile silver RAL 9006	TE-5	MMODPBT5GR
Modular swing pull knob with euro-profile nickel plated	TE-5	MMODPBT5AT
Modular swing pull knob with euro-profile black RAL 9005	--	MMODPBSCNE
Modular swing pull knob with euro-profile silver RAL 9006	--	MMODPBSCGR
Modular swing pull knob with euro-profile nickel plated	--	MMODPBSSAT



Modular lever handle Sena Stainless steel

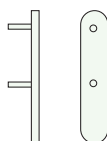


Outside device	Cylinder	Product code
Modular lever handle Sena Stainless steel	--	MANGLOBSCIL16
Modular lever handle Sena Stainless steel	TE-5	MANGLOBT5IL16



Blind plate

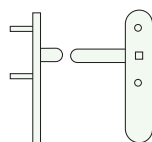
In the installations where no outside trim is going to be used, it is recommended to install a blind plate.



Outside device	Product code
Blind plate, black RAL 9005	E1910EXNE
Inox blind plate	E1910EXIS16

Blind plate lever handle

In those cases where cylinder is no needed, it can be used a blind lever handle.



Outside device	Product code
Blind handle, black RAL 9005	SI1913EXNE
Inox blind handle	SI1913EXIS16



Outside device for GLOBAL series

Outside device for mortice models (GLOBAL 1E)

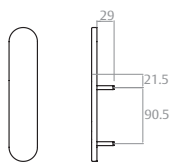
For CF60 series lock



8 mm follower

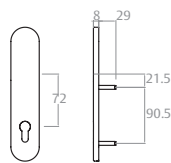
Outside device	Product code
Blind plate, black RAL 9005	EDF90EXNE
Blind plate, inox	EDF90EXIS16
Euro-profile plate, black RAL 9005	EDF91EXNE
Euro-profile plate, inox	EDF91EXIS16
Sena Lever handle + euro-profile, black RAL 9005	SIDF2EXNE
Sena Lever handle euro-profile, inox	SIDF92EXIS16
Sena handle blind plate, black RAL 9005	SIDF93EXNE
Sena handle blind, inox	SIDF93EXIS16
Pull knob, black RAL 9005	TTF72UNE
Pull knob, inox	TTF72UIS16

Blind plate



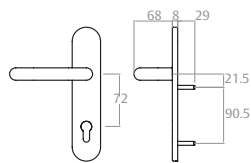
EDF90EX

Key



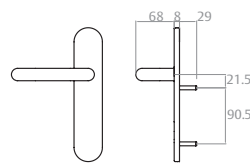
EDF91EX

Lever handle + key



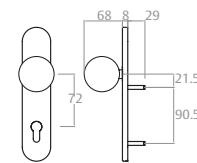
SIDF92EX

Lever handle



SIDF93EX

Pull knob



TTF72U

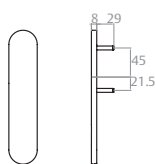
For 2035T, 2037F, 4039T, 2230BA and 2240PA series locks



8 mm follower

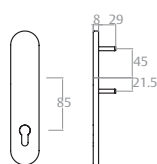
Outside device	Product code
Blind plate, black RAL 9005	EDF30EXNE
Blind plate, inox	EDF30EXIS16
Euro-profile plate, black RAL 9005	EDF31EXNE
Euro-profile plate, inox	EDF31EXIS16
Sena Lever handle + euro-profile, black RAL 9005	SIDF32EXNE
Sena Lever handle euro-profile, inox	SIDF32EXIS16
Sena handle blind plate, black RAL 9005	SIDF33EXNE
Sena handle blind, inox	SIDF33EXIS16
Pull knob, black RAL 9005	TTF85UNE
Pull knob, inox	TTF85UIS16

Blind plate



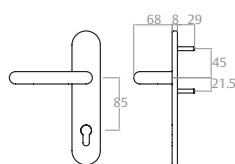
EDF30EX

Key



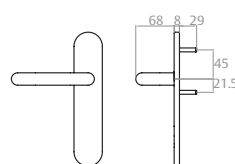
EDF31EX

Lever handle + key



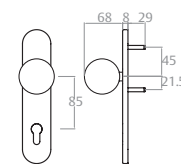
SIDF32EX

Lever handle



SIDF33EX

Pull knob

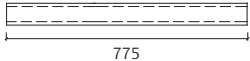
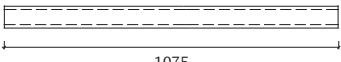
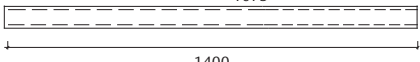

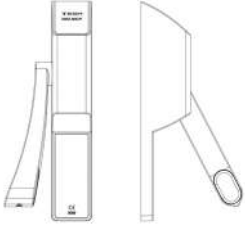
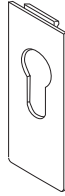
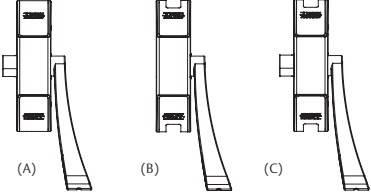



TTF85U

Compatible with other TESA ASSA ABLOY outside Access devices for CF locks such as MONOBLOC and AISI304 with 9 mm follower as well as with other trims (CUBO, VECTOR, ...) and TRAFFIC systems.

Accessories for Global series

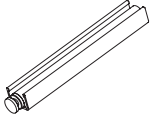
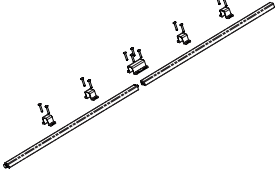
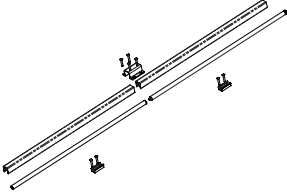
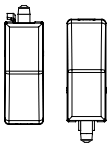
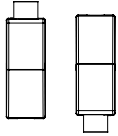
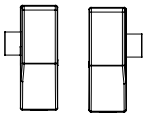
Components

	Components	Product code
	Horizontal tube 775	BARHGL900B / I / N / G / R / V / T
	Horizontal tube 1075	BARHGL1200B / I / N / G / R / V / T
	Horizontal tube 1400	BARHGL1400B / I / N / G / R / V / T
	Base plate for 195L replacement Base plate for 1970 replacement Base plate for Sena Handle replacement Base plate for 1910 replacement Base plate for 1930 replacement	PLREP195L G / N / I / T / I PLREP1970 G / N PLREPESENA G / N / I / T / I PLREP1910 G / N / I / T / I PLREP1930 G / N / I / T / I
	Main mortise support Auxiliary mortise support Auxiliary mortise support with microswitch	SOPORGL1EG / T / B / S / I SOPSECGL1EG / T / B / S / I SOPSECGL1EGMIC B / G / T / N
	72 mm. key hole cover 85 mm. key hole cover 92 mm. key hole cover	TAPABOMGL1E72 TAPABOMGL1E85 TAPABOMGL1E92
	Main Rim support (A) 1 point Main Rim support (B) 2 points Main Rim support (C) 3 points	SOPORGL1S G / B / N / S / T / I SOPORGL2S G / B / N / S / T / I SOPORGL3S G / B / N / S / T / I
	Auxiliary Rim support	SOPSECGLS G / B / N / S / T / I



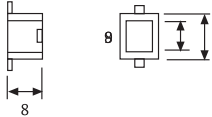
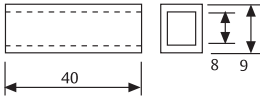
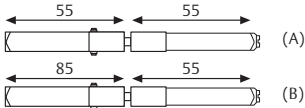
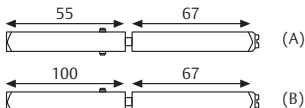
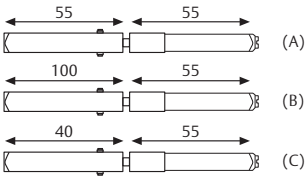
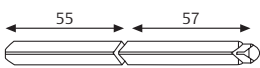
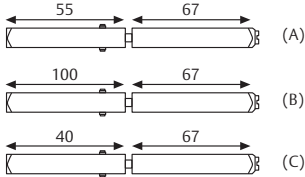

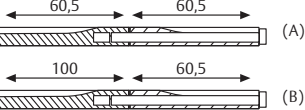
Accessories for Global series

Components

	Components	Product code
	Centre/high strike plate STD (A) Floor strike plate STD (B) Adjustable strike plate (C) Centre/high strike plate for aluminium profiles (D)	CERFRCGLT CERFRFGLT CERPVCT (no RF) CERALUMT (no RF)
	Vertical rod device	BARV0900I (INOX) BARFVGL1100 B / G / N / S / T
	Vertical espagnolette high door with visible espagnolette	BARV3050I (INOX) BARFVGL 3500 B / G / N / S / T
	Vertical espagnolette high door with espagnolette cover for GLOBAL DC	BARFCGL 3500 B / G / N / S / T
	Higher and lower locking point GL20	REEN20GL B / G / N / S / T / I
	Higher and lower locking point GL2S and GL3S	REEN3SGL B / G / N / S / T / I
	Higher and lower locking point GL3L	REEN3LGL B / G / N / S / T / I

Accessories for Global series

Components

	Components	Product code
	From 9 to 8 mm For fire rated locks with double nut	44900HH
	From 9 to 8 mm For fire rated locks with single nut	CASQUCF50
	Double square spindle 8/9 + 9/8	(A) CDCF60MAK (B) CDCF60MAKXL
	Double square spindle 8/8 + 8/8	(A) CD2030S8M (B) CD2030S8MXL
	Double square spindle 8/9 + 9/9	(A) CDCF6089M (B) CDCF6089MXL (C) CDCF6089M40
	Square spindle 9/9 + 9/9	DM9912CUA
	Double square spindle 9/9 + 9/9	(A) CD9X559X67 (B) CD9X1009X67 (C) CD9X409X67
	Square spindle	CUADRAD990S500
	Square spindle 8/8+8/8	(A) CDFUEGO8M (B) CDFUEGO8MXL



Touch type panic exit devices

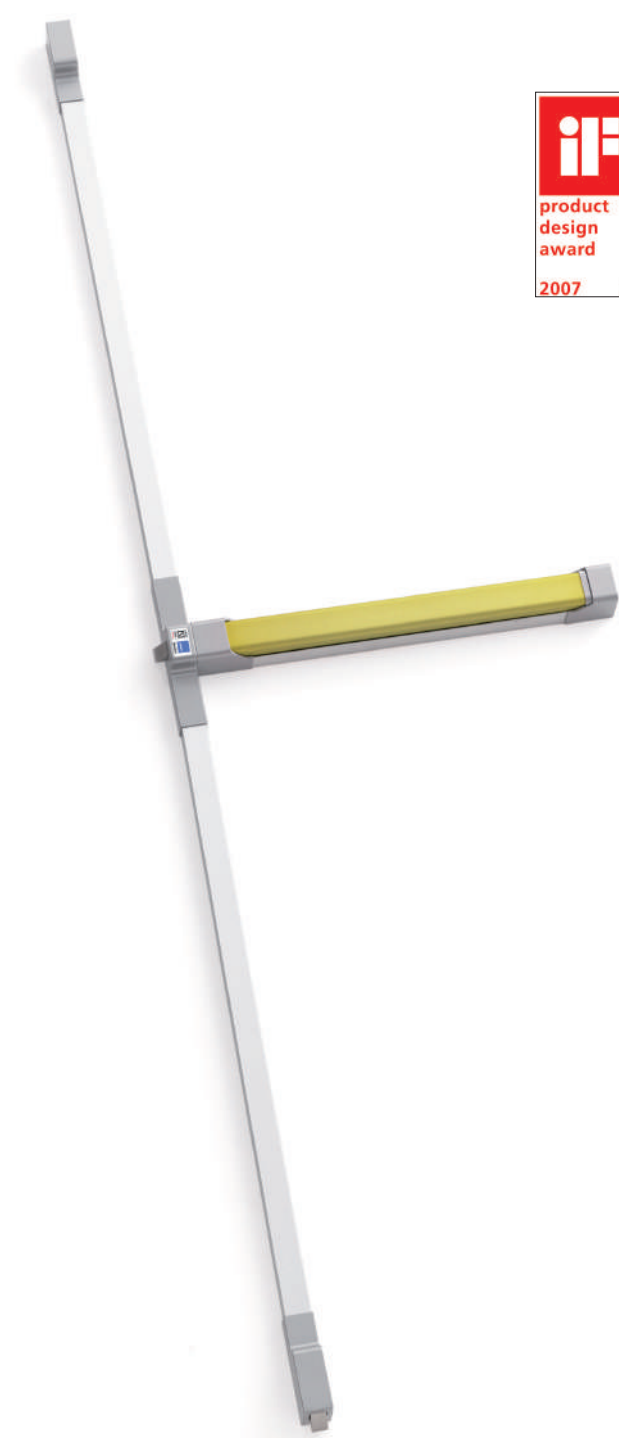
TOP series

The purpose of this new product range is to complete TESA's wide range of exit panic devices and to be able to meet all the increasingly high demands in the market with a product of high technical advantages and a design in keeping with the latest architectural trends.

The main advantage of this range is offered by the surface-mounted model, which has a specially-designed orbital latch that allows the door to be opened with minimum effort, thus ensuring the quick evacuation of personnel in situations of panic. The latch also enables the product to be certified for two million cycles and guarantees high anti-theft security.

This new range of TESA's exit panic devices presents the following features:

- » Easy reversibility.
- » Compatible with firebreak doors.
- » Very easy to install:
 - Starting with three STD sizes (for doors of 800 mm, 1000 mm and 1200 mm) the bar can be cut to fit in with the width of the door.
 - 35 mm adjusting of the vertical rod devices.
 - Base plate.
- » Espagnolette cover.
- » Exterior clutch operation for surface-mounted version:
 - SENA handle: with Euro profile half cylinder. Length: door width +25mm.
 - Modular handle: with Euro profile half cylinder.
- » Latches present a security device.
- » Low projection.
- » It can incorporate a microswitch.
- » Optional passage function for TOP1S y TOP3S. This PASSAGE function is not suitable for fire doors.
- » It can be installed on single and double leaf doors.
- » STD finish:
 - Fixed bar and vertical rod device cover: anodized aluminium.
 - Central covers and high/low auxiliary locks: SILVER RAL9006.
 - Active bar: SILVER RAL9006
 - Also available in other finishes: lime green, stainless,....



Silver - silver finish (GG)		Anti MICROBIAL
Anodized aluminium	Silver RAL 9006	
Covers		•
Rod covers	•	
Fixed bar	•	
Active bar		•

Silver - lime finish (LG)			Anti MICROBIAL
Anodized aluminium	Silver RAL 9006	Lime	
Covers		•	
Rod covers	•		
Fixed bar	•		
Active bar			•

Stainless steel finish (IL16)		Anti MICROBIAL
Stainless steel. AISI 316		
Covers		•
Rod covers		•
Fixed bar		•
Active bar		•

Touch type panic exit devices

CE Classification for TOP series

CLASSIFICATION	Grade	Description
1°. Category of use	3	High frequency of use
2°. Durability	6 – 7	(6) 100.000 - (7) 200.000 cycles
3°. Door mass	5 – 6 – 7	(5) ≤100Kg - (6) ≤200Kg - (7) >200Kg
4°. Suitability for use on fire/smoke doors	0 – A – B	(0) Not approved for use on fire/smoke door assemblies - (A) Suitable for use on smoke door assemblies - (B) Suitable for use on smoke and fire door assemblies
5°. Safety	1	Only one grade of safety shall be used (Grade 1). All panic exit devices have a critical safety function, therefore only the top grade (Grade 1) is identified for the purpose of this European Standard.
6°. Corrosion resistance	3 – 4	(3) ≤96h - (4) ≤240h
7°. Security	2	Only one grade of security shall be used (Grade 2).
8°. Projection of horizontal bar	1 – 2	(1) ≤150mm - (2) ≤100mm
9°. Type of horizontal bar operation	A - B	(A) Push-bar - (B) Touch-bar
10°. Field of door application	A – B - C	(A) Single door, double door: active or inactive leaf - (B) single door only - (C) double door, inactive leaf only

MODEL	Category of use	Durability	Door mass	Suitability for use on fire/smoke doors	Safety	Corrosion resistance	Security	Projection of horizontal bar	Type of horizontal bar operation	Field of door application
TOP 1S	3	7	6	B	1	4	2	2	B	A
TOP 3S – TOP 2S	3	7	6	B	1	4	2	2	B	A
TOP 20	3	7	6	B	1	4	2	2	B	A
TOP 1E+2035T	3	7	6	B	1	4	2	2	B	A
TOP 1E+2037F	3	7	6	B	1	4	2	2	B	A
TOP 1E+4039T	3	7	6	B	1	4	2	2	B	A
TOP 1E+CF60	3	7	6	B	1	4	2	2	B	A
TOP 1E+CF32	3	7	6	B	1	4	2	2	B	C
TOP1E+2032F	3	7	6	B	1	4	2	2	B	C
TOP 1E+2240BA	3	6	6	0	1	4	2	2	B	B
TOP 1E+2230PA	3	6	6	0	1	4	2	2	B	B
TOPM 1S	3	7	6	B	1	4	2	2	B	A
TOPM 3S	3	7	6	B	1	4	2	2	B	A
TOP 1S DC	3	7	6	B	1	4	2	2	B	A
TOP 2S DC	3	7	6	B	1	4	2	2	B	A

Touch type panic exit devices, TOP series

Rim model. TOP1S

Rim panic device with a lateral locking point. Stainless steel orbital latch.

Outside access device defined at the bottom of the page.

Certification UNE-EN 1125:

3 7 6 B 1 4 2 2 B A



2 million cycles
AENOR CERTIFICATE

The box includes:

- » 1 horizontal bar and a modular head.
- » Accessories: Square spindle, fixing screws, strike, follower, covers for vertical rod ends and base plate.
- » Assembly instructions and installation template.

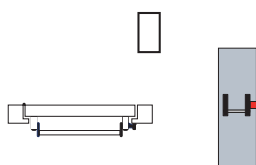
Model	Door width	Finish	Product code
TOP1S	800 mm	Lime - Silver	TOP1S808LG
		Silver - Silver	TOP1S808GG
		Stainless steel	TOP1S808IL16
TOP1S	1.000 mm	Lime - Silver	TOP1S108LG
		Silver - Silver	TOP1S108GG
		Stainless steel	TOP1S108IL16
TOP1S	1.200 mm	Lime - Silver	TOP1S128LG
		Silver - Silver	TOP1S128GG
		Stainless steel	TOP1S128IL16

Highlighted part numbers: "Express 5" service.

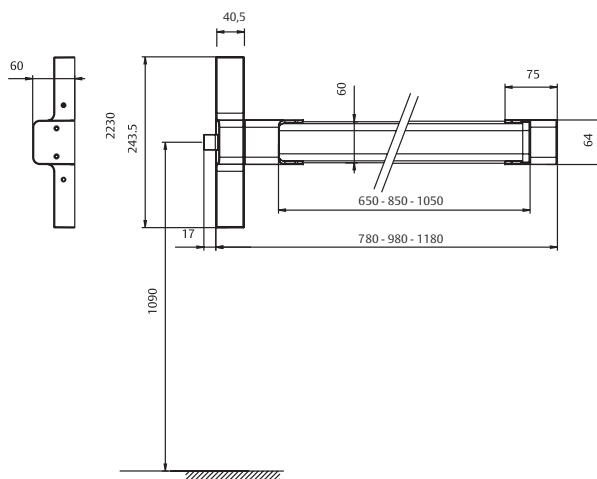
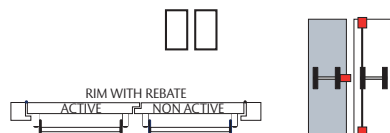
More sizes are available for the IL16 finish (700-800-900-1000-1200)

Configuration

1 leaf door



2 leaf door



Outside device	Blind plate	Euro-profile plate	Lever handle with euro-profile	Lever handle	Pull knob with euro-profile	Modular lever handle
No outside opening	•					
Free passing door				•		•
Cylinder locking	Knob / lever handle opening		•			•
	Captive key system					• (1)
	Key opening	•			•	

(1) It is needed to lock the outside access device to remove the key

Touch type panic exit devices

Rim model. TOP3S

Rim panic device with 2/3 locking points: central, upper and lower. Stainless steel orbital latch.

Outside access device defined at the bottom of the page.

Certification UNE-EN 1125:

3 7 6 B 1 4 2 2 B A

The box includes:

- » 1 horizontal bar + modular head.
- » 2 accessories bag, including 3 strikes: upper, central and lower, follower, square spindle, fixing screws, 1 cover for central locking point and base plate.
- » 2 units 930 mm. length vertical rod + 2 units 890 mm length vertical rod covers.
- » 2 locking points, upper and lower.
- » Assembly instructions and installation template.

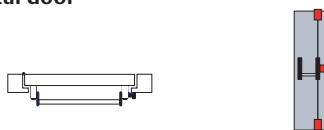
Model	Door width	Finish	Product code
TOP3S	800 mm	Lime - Silver	TOP3S808LG
		Silver - Silver	TOP3S808GG
		Stainless steel*	TOP3S808IL16
			TOP2S808IL16
TOP3S	1.000 mm	Lime - Silver	TOP3S108LG
		Silver - Silver	TOP3S108GG
		Stainless steel*	TOP3S108IL16
			TOP2S108IL16
TOP3S	1.200 mm	Lime - Silver	TOP3S128LG
		Silver - Silver	TOP3S128GG
		Stainless steel*	TOP3S128IL16
			TOP2S128IL16

Highlighted part numbers: "Express 5" service.

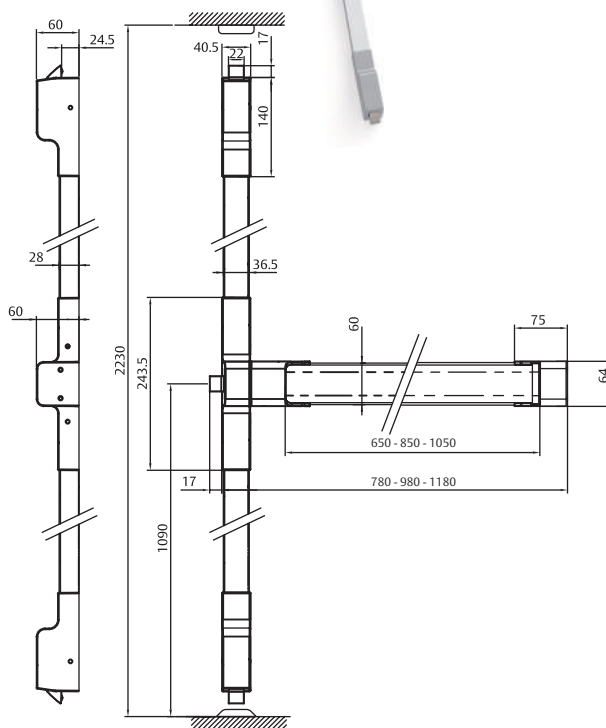
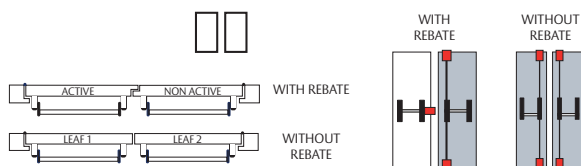
More sizes are available for the IL16 finish.

Configuration

1 leaf door



2 leaf door



2 million cycles
AENOR CERTIFICATE

H

Outside device	Blind plate	Euro-profile plate	Lever handle with euro-profile	Lever handle	Pull knob with euro-profile	Modular lever handle
No outside opening	•					
Free passing door				•		•
Cylinder locking	Knob / lever handle opening		•			•
	Captive key system					• (1)
Key opening		•			•	

(1) It is needed to lock the outside access device to remove the key

Touch type panic exit devices

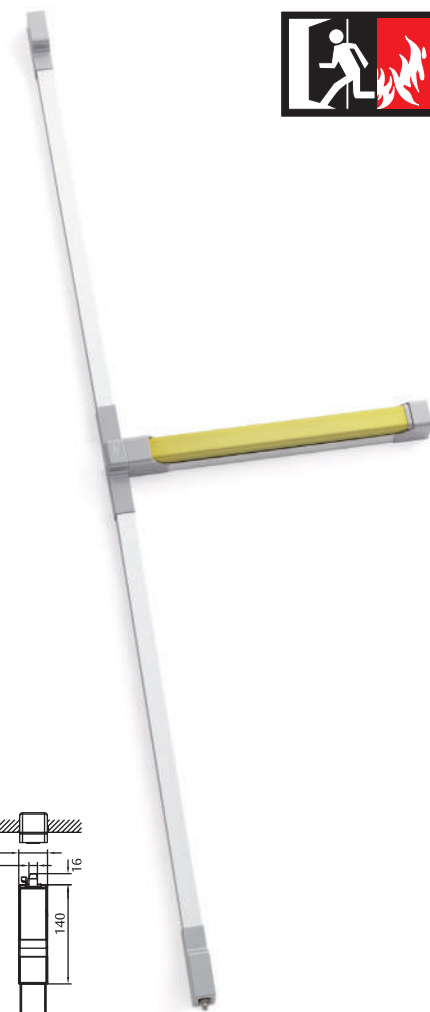
Rim model. TOP20

Rim panic device with 2 locking points with steel roller bolts.
Outside access device defined at the bottom of the page.
Certification UNE-EN 1125:

3 7 6 B 1 4 2 2 B A

The box includes:

- » 1 horizontal bar + modular head.
- » 2 accessories bag, including 2 strikes: upper, and lower, follower, square spindle, fixing screws, and base plate.
- » 2 units 930 mm length vertical rod + 2 units 890 mm. length vertical rod covers
- » 2 locking points, upper and lower.
- » Assembly instructions and installation template.
- » Vertical rod covers.

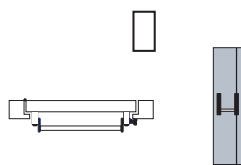


Model	Door width	Finish	Product code
TOP20	800 mm	Lime - Silver	TOP20808LG
		Silver - Silver	TOP20808GG
		Stainless steel	TOP20808IL16
TOP20	1.000 mm	Lime - Silver	TOP20108LG
		Silver - Silver	TOP20108GG
		Stainless steel	TOP20108IL16
TOP20	1.200 mm	Lime - Silver	TOP20128LG
		Silver - Silver	TOP20128GG
		Stainless steel	TOP20128IL16

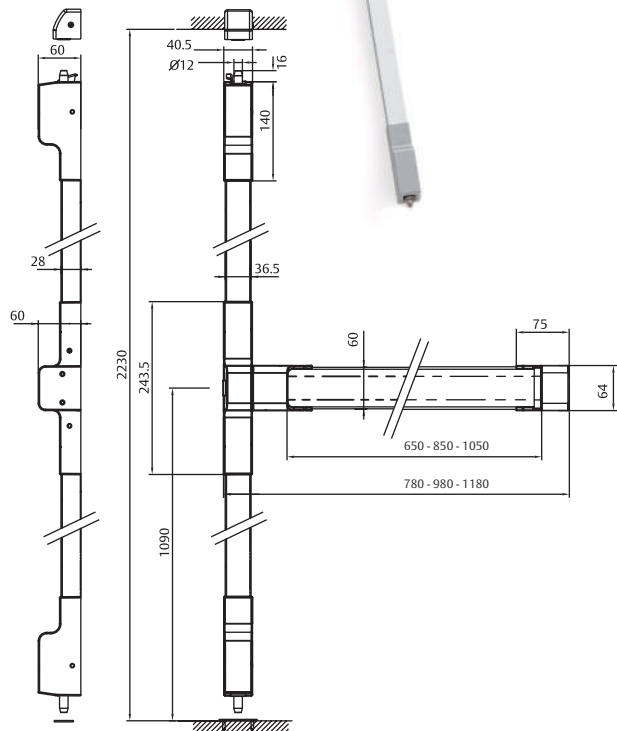
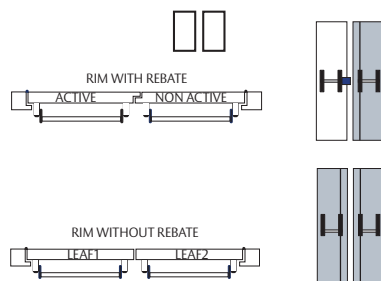
More sizes are available for the IL16 finish.

Configuration

1 leaf door



2 leaf door



Outside device	Blind plate	Euro-profile plate	Lever handle with euro-profile	Lever handle	Pull knob with euro-profile	Modular lever handle
No outside opening	•					
Free passing door				•		•
Cylinder locking	Knob / lever handle opening		•			•
	Captive key system					• ⁽¹⁾
	Key opening		•		•	

(1) It is needed to lock the outside access device to remove the key

Touch type panic exit devices

Mortice model: single leaf solution

Certificación EN1125 del conjunto TOP1E-CF60, TOP1E-2035T/ 2037/ 4039T and TOP1E+2230PA/2240BA:



3 7 6 B/0* 1 4 2 2 B A/B**

* B: VALID for fire rated doors: CF60 – 2035T – 2037F – 4039T

* 0: NOT VALID for fire rated doors: 2240BA – 2230PA

** A: CF60 – 2035T – 2037F – 4039T

** B: 2240BA – 2230PA



1. Panic exit devices

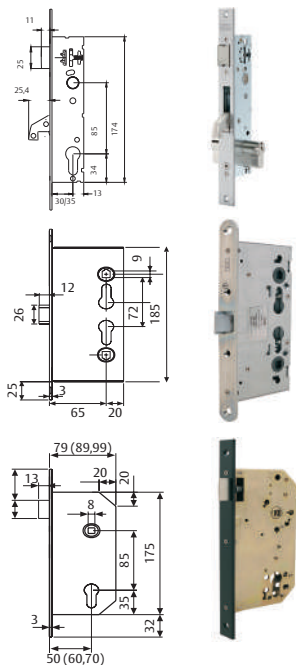
The box includes:

- » 1 horizontal bar + modular head.
- » 1 accessories bag, including strike, fixing screws, 2 cover for locking point and base plate.
- » Double square spindle: 8 - 8 / 8 - 8
- » Double square spindle: 8 - 9 / 9 - 8
- » Assembly instructions and installation template.

2. Locks

Stainless steel frontplates available

* 2035T and 4039T locks are handed. LH or RH must be selected.



2240BA. Single point.
8 mm follower. Handed.

2230PA. Multipoint.
8 mm follower. Non-handed.
Solutions valid for single leaf door.

CF60. 9 mm follower
Reversible

2035T. 8 mm follower. Handed.
No cylinder, for free passing door.
2037F. 8 mm follower reversible
(non handed). Valid for outside
handle locking cylinder
4039T. 8 mm follower. Handed.
Cylinder required for external door
opening.

3. Outside devices

The outside device must be selected depending on the type of lock. Two models are available: one for CF60 lock and the other suitable for 2035T, 2037F, 4039T, 2230BA and 2240PA.

4. Cylinders

Any type of TESA cylinder can be used, this facilitating the Masterkeying. Cylinder length will depend on the lock position and the door thickness.

5. Square spindles

All TOP1 panic devices include:

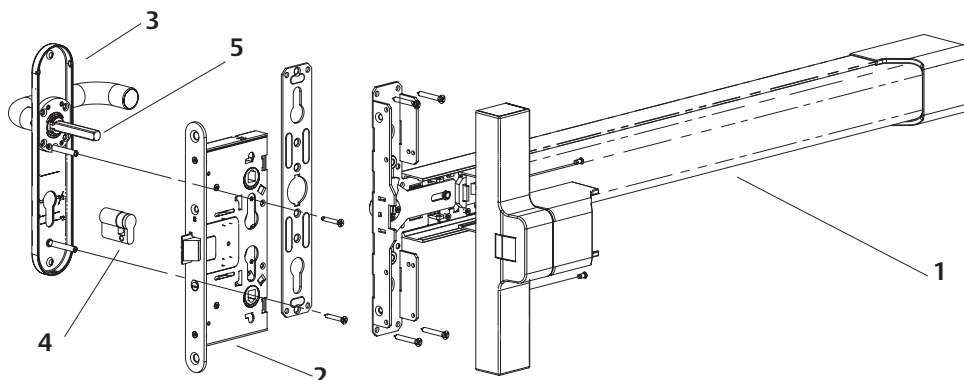
Double screwed square spindle 8/8 + 8/8. Ref.: CD2030S8M

Double screwed square spindle 8/9 + 9/8. Ref.: CDCF60MAK

Model	Door width	Finishes	Product code
TOP1E	800 mm	Lime - Silver	TOP1E808LG
		Silver - Silver	TOP1E808GG
TOP1E	1.000 mm	Inox - Inox	TOP1E808IL16
		Lime - Silver	TOP1E108LG
		Silver - Silver	TOP1E108GG
TOP1E	1.200 mm	Inox - Inox	TOP1E108IL16
		Lime - Silver	TOP1E128LG
		Silver - Silver	TOP1E128GG
		Inox - Inox	TOP1E128IL16

Highlighted part numbers: "Express 5" service.

More sizes are available for the IL16 finish.



Touch type panic exit devices

Mortice model: double leaf solution

EN 1125 certificate: TOP1E+CF60/2032F configuration



3 7 6 B 1 4 2 2 B C

Active leaf

Use a TOP1E model panic exit device + CF60 lock or 2035T/2037F/4039T lock + outside device.

See references in page 30.

Non active leaf (secondary leaf)

1. Panic exit devices

The box includes:

- » 1 horizontal bar + modular head.
- » 1 accessories bag, including strike, fixing screws, 2 cover for locking point and base plate.
- » Double square spindle: 8 - 8 / 8 - 8
- » Double square spindle: 8 - 9 / 9 - 8
- » Assembly instructions and installation template.

2. Counterlock

CF32. Ref. CF322EN1SR9Z/ICE. Reversible. 9 mm follower.

2032F. Ref. 2032F6RAI. Reversible. 8 mm follower.

Both the top and bottom have screwed clasps to hold in place vertical rods. Manual and panic operation modes on the same lock.

3. Vertical rod retainer

Ref. RETCF32R It is placed inside of the upper part of the door leaf, at the closing point. Operation: activating the panic device, the vertical rods are released from their clasps and are engaged by the retainer. When closing the door the retainer RETCF32R hits the strike releasing the movement of the vertical rods and allowing the door to be closed.

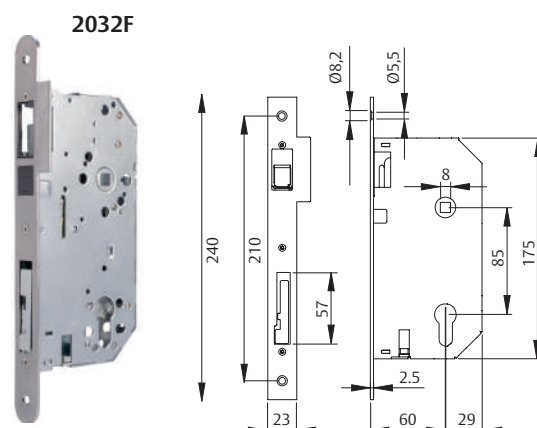
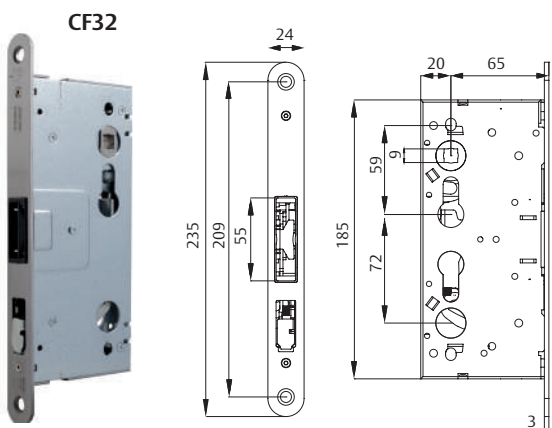
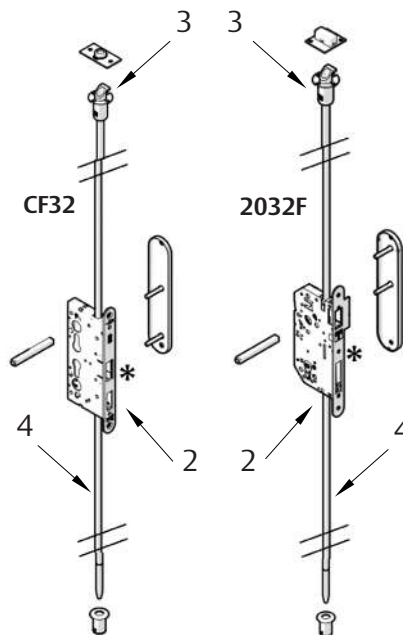
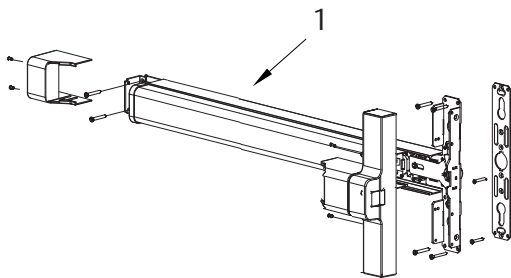
4. Vertical rods (upper and lower).

CF32: Ref. BARVECF32CE.

2032F: Ref. BARVE2032FCE

One end finishes with a roller bolt for the locking points and the other has screwed ends to enable union with the counterlock.

This Product code also includes the top and bottom strikes.



Motorized panic exit devices

TOP Rim series



Description

Motorized TOP panic exit device, rim version for 1 / 2 / 3 locking orbital latches.

It is a motorized panic exit device suitable for escape emergency routes. The main feature of a motorized panic exit device is to retract the latch using a remote electrical input.

It is possible to block the active bar denying the door opening, or leave the PED disengaged all the time (simulating a dogging device) allowing free door opening without operating the PED or the external outside trim, just by pushing or pulling the door. In case there is a power supply failure the PED will return to its neutral operation mode allowing mechanical PED operation to open the door.

This door hardware is focused mainly for the following applications:

- Integrate an emergency exit door within an access control system
- Door opening and closing control
- Installation on fire doors.

To do so the motorized panic exit device (TOPM) must be installed and work together with other door hardware.

1. Online access control + TOPM + pulling knob

When the TOPM receives an appropriate electrical input from the access control unit, the orbital latch will be retracted and the door will be ready to open by pulling it. The TOPM can also remain unlatched for a long period (in OPEN mode) allowing the door to be opened (from inside and outside), simulating the dogging device function, until the input signal is removed.

2. TOPM + Door operator

For emergency exit doors placed in public buildings and high frequency of use, the TOPM can be connected to a door operator (OBERMATIC from TESA). When receiving the external electrical input to open the door, the TOPM will retract the orbital latch and inform the door operator to start opening the door.

Motorized panic exit devices

Rim model. TOPM1S and TOPM3S

Rim panic exit device with one/ two/ three locking point(s).
Stainless steel orbital latch.
CE certification acc./ UNE-EN1125:

3 7 6 B 1 4 2 2 B A

Bill of material

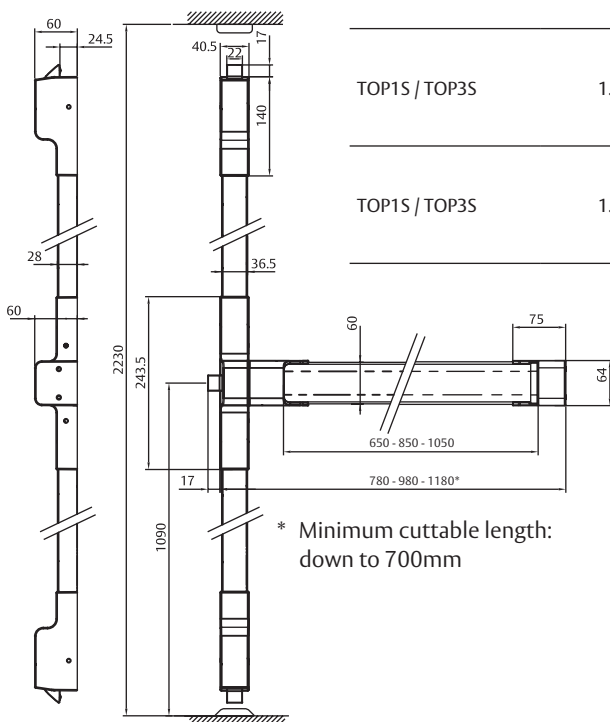
The packaging includes:

- » 1 complete panic exit device, with modular main mechanism and inner components. All necessary mechanisms to motorize the panic exit device are also included, such as the control plate, auxiliary battery, electric motor and connecting cable.
- 12 Vdc Electric motor, and nominal 0.90A current.
- 9 Vdc Rechargeable auxiliary battery.
- Control plate (PCB).
- 9 m connecting cable, with 12 inner cables with 0.25mm diameter and free terminals in one side and a conector on the other side.
- » 2 vertical rod devices (for TOPM 3S).
- » 2 top and bottom mechanisms (for TOPM 3S).
- » 1 accessories bag, including strikes, follower, base plate and fixing screws .
- » Instruction sheet and installation template



Application field

These type of installations have a wide application fields. They allow us to integrate different access control solutions, to use a remote opening system, have electrically controlled exit routes and also compatible with alarm systems. It is also valid for use on fire rated (FR) doors.



Product code	Door length	Finish	Product code TOP1S	Product code TOP3S
TOP1S / TOP3S	800 mm	Lime - Silver	TOPM1S808LG	TOPM3S808LG
		Silver - Silver	TOPM1S808GG	TOPM3S808GG
		Stainless steel*	TOPM1S808IL16	TOPM3S808IL16
TOP1S / TOP3S	1.000 mm	Lime - Silver	TOPM1S108LG	TOPM3S108LG
		Silver - Silver	TOPM1S108GG	TOPM3S108GG
		Stainless steel*	TOPM1S108IL16	TOPM3S108IL16
TOP1S / TOP3S	1.200 mm	Lime - Silver	TOPM1S128LG	TOPM3S128LG
		Silver - Silver	TOPM1S128GG	TOPM3S128GG
		Stainless steel*	TOPM1S128IL16	TOPM3S128IL16

More sizes are available for the IL16 finish

Motorized panic exit devices

TOP UL Serie

Description

The TOP panic bar has obtained the UL certificate, which corroborates its 3-hour resistance in single-leaf fire doors. More specifically, it has obtained certification for two categories: on the one hand as a fitting for fire doors (GXHX, in accordance with UL10C requirements) and on the other as a panic exit device (FVSR in accordance with UL305 requirements). This is one of the most prestigious certificates in terms of compliance with safety and quality standards due to its demanding tests, carried out on a regular basis.

The operation of the latch – which instead of being activated by pushing the bar, unlocks the door by releasing the contact of the latch with the strike – allows it to achieve a durability of 2 million cycles as it suffers less wear throughout its useful life.

Main characteristics:

- Easy reversibility.
- Suitable for fire doors.
- Steel orbital latch.
- Security device on latches.
- Low projection.
- 2,000,000 cycles in TOP1S, TOP2S and TOP3S versions.



Examples of UL certificates for the TOP1S version. Scan the QR code to access the UL portal and download the original certificates.



Motorized panic exit devices

Rim model. TOP1S UL

Rim panic device with a lateral locking point. Stainless steel orbital latch.
Outside access device defined at the bottom of the page.



The box includes:

- » 1 horizontal bar + modular head.
- » 1 accessories bag, including , strike, follower, square spindle, fixing screws, covers for vertical rod ends and base plate.
- » Assembly instructions and installation template.

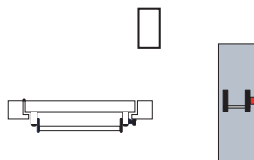


Model	Door width	Finish	Product code
TOP1SUL	800 mm	Lime - Silver	TOP1S808LGUL
		Silver - Silver	TOP1S808GGUL
		Stainless steel	TOP1S808IL16UL
TOP1SUL	1.000 mm	Lime - Silver	TOP1S108LGUL
		Silver - Silver	TOP1S108GGUL
		Stainless steel	TOP1S108IL16UL
TOP1SUL	1.200 mm	Lime - Silver	TOP1S128LGUL
		Silver - Silver	TOP1S128GGUL
		Stainless steel	TOP1S128IL16UL

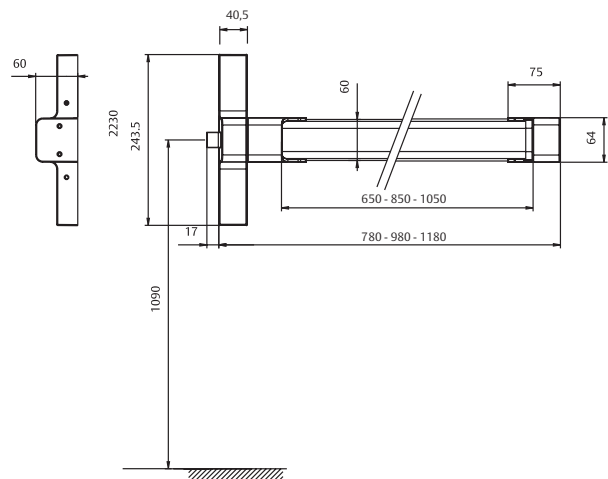
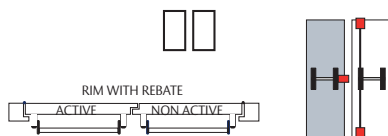
More sizes are available for the IL16 finish

Configuration

1 leaf door



2 leaf door



Outside device	Blind plate	Euro-profile plate	Lever handle with euro-profile	Lever handle	Pull knob with euro-profile	Modular lever handle
No outside opening	•					
Free passing door				•		•
Cylinder locking	Knob / lever handle opening		•			•
	Captive key system					• ⁽¹⁾
	Key opening	•			•	

(1) It is needed to lock the outside access device to remove the key

Motorized panic exit devices

Rim model. TOP2S UL/ TOP3S UL



DEC
Disabled,
Elderly and
Children



Rim panic device with 2/3 locking points: central, upper and lower. Stainless steel orbital latch.

Outside access device defined at the bottom of the page.

The box includes:

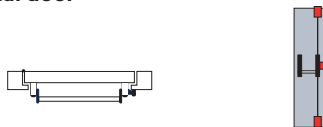
- » 1 horizontal bar + modular head.
- » 2 accessories bag, including 3 strikes: upper, central and lower, follower, square spindle, fixing screws, 1 cover for central locking point and base plate.
- » 2 units 930 mm. length vertical rod + 2 units 890 mm length vertical rod covers.
- » 2 locking points, upper and lower.
- » Assembly instructions and installation template.

Model	Door width	Finish	Product code
TOP2SUL TOP3SUL	800 mm	Lime - Silver	TOP3S808LGUL
		Silver - Silver	TOP3S808GGUL
		Stainless steel	TOP3S808IL16UL
			TOP2S808IL16UL
TOP2SUL TOP3SUL	1.000 mm	Lime - Silver	TOP3S108LGUL
		Silver - Silver	TOP3S108GGUL
		Stainless steel*	TOP3S108IL16UL
			TOP2S108IL16UL
TOP2SUL TOP3SUL	1.200 mm	Lime - Silver	TOP3S128LGUL
		Silver - Silver	TOP3S128GGUL
		Stainless steel*	TOP3S128IL16UL
			TOP2S128IL16UL

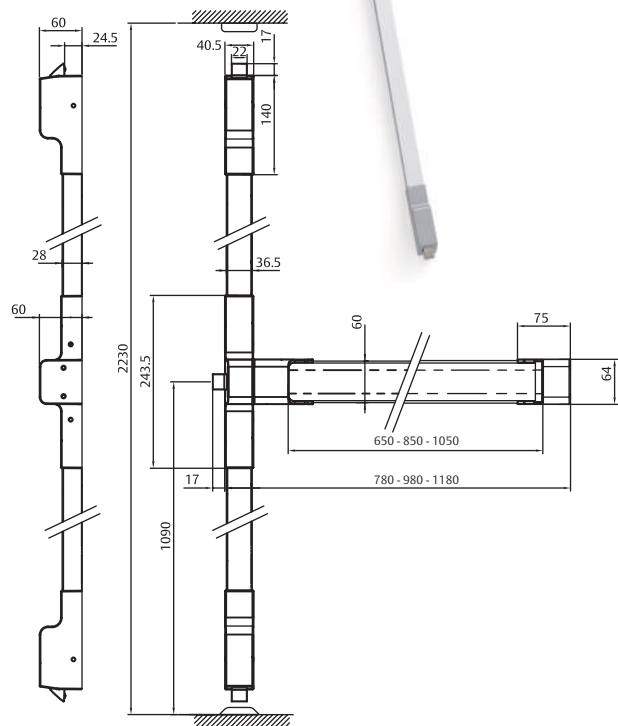
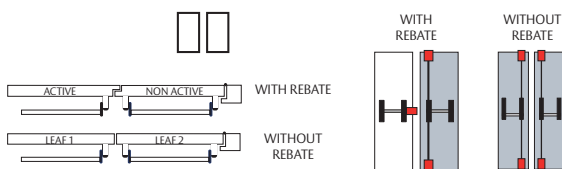
*There is a specific reference for the TOP2SUL and TOP3SUL versions

More sizes are available for the IL16 finish.

1 leaf door



2 leaf door



Outside device	Blind plate	Euro-profile plate	Lever handle with euro-profile	Lever handle	Pull knob with euro-profile	Modular lever handle
No outside opening	•					
Free passing door				•		•
Cylinder locking	Knob / lever handle opening		•			•
	Captive key system					• ⁽¹⁾
Key opening		•			•	

(1) It is needed to lock the outside access device to remove the key



Outside device for TOP series

Outside devices. Rim models (TOP1S, TOP3S y TOP20)

Sena lever handle



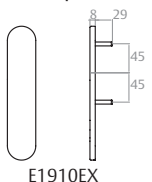
8 mm follower

Outside device	Product code
Blind plate, black RAL 9005	E1910EXNE
Blind plate inox	E1910EXIS16
Euro-profile plate* black RAL 9005	E1911EXNE
Euro-profile plate* inox	E1911EXIS16
Sena Lever handle + euro-profile* black RAL 9005	SI1912EXNE
Sena handle euro-profile* inox	SI1912EXIS16
Sena handle blind plate, black RAL 9005	SI1913EXNE
Sena handle blind plate inox	SI1913EXIS16
Pull knob* inox	TTF10UNE
Pull knob* inox	TTF10UIS16

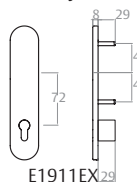


* Requires a half cylinder
L x 10 de r=15 mm any system is valid.
L=door thickness +25 mm.

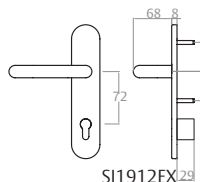
Blind plate



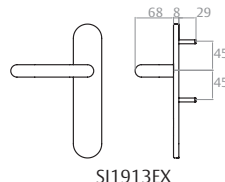
Key



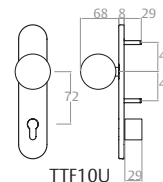
Lever handle + key



Lever handle



Pull knob

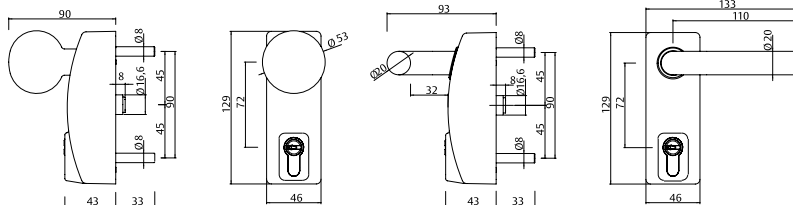


Modular lever handle

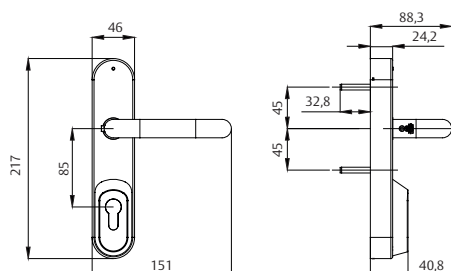


8 mm follower 30 x 10 cylinder with r=15 mm available with all systems.

Outside device	Cylinder	Product code
Modular lever handle black RAL 9005	-	MMODMPSCNE
Modular lever handle silver RAL 9006	-	MMODMPSCGR
Modular lever handle nickel plated	-	MMODMPSCAT
Modular lever handle with euro-profile black RAL 9005	TE-5	MMODMBT5NE
Modular lever handle with euro-profile silver RAL 9006	TE-5	MMODMBT5GR
Modular lever handle with euro-profile nickel plated	TE-5	MMODMBT5SAT
Modular lever handle with euro-profile black RAL 9005	-	MMODMBSCNE
Modular lever handle with euro-profile silver RAL 9006	-	MMODMBSCGR
Modular lever handle with euro-profile nickel plated	-	MMODMBSCAT
Modular swing pull knob with euro-profile black RAL 9005	TE-5	MMODPBT5NE
Modular swing pull knob with euro-profile silver RAL 9006	TE-5	MMODPBT5GR
Modular swing pull knob with euro-profile nickel plated	TE-5	MMODPBT5SAT
Modular swing pull knob with euro-profile black RAL 9005	-	MMODPBSCNE
Modular swing pull knob with euro-profile silver RAL 9006	-	MMODPBSCGR
Modular swing pull knob with euro-profile nickel plated	-	MMODPBSCAT



Modular lever handle Sena Stainless steel



Outside device	Cylinder	Product code
Modular lever handle Sena Stainless steel	-	MANGLOBSCIL16
Modular lever handle Sena Stainless steel	TE-5	MANGLOBT5IL16

Outside device for TOP series

Outside device for mortice models (TOP1E)

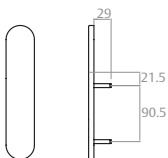
For CF60 series lock



Outside device	Product code
Blind plate, black RAL 9005	EDF90EXNE
Blind plate, inox	EDF90EXIS16
Euro-profile plate black RAL 9005	EDF91EXNE
Euro-profile, inox	EDF91EXIS16
Sena Lever handle + euro-profile black RAL 9005	SIDF92EXNE
Sena handle euro-profile, inox	SIDF92EXIS16
Sena handle blind plate, black RAL 9005	SIDF93EXNE
Sena handle blind, inox	SIDF93EXIS16
Pull knob , black RAL 9005	TTF72UNE
Pull knob, inox	TTF72UIS16

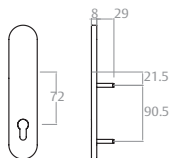
8 mm follower

Blind plate



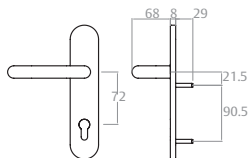
EDF90EX

Key



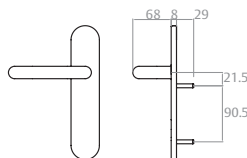
EDF91EX

Lever handle + key



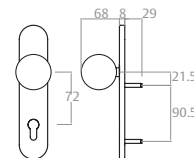
SIDF92EX

Lever handle



SIDF93EX

Pull knob



TTF72U

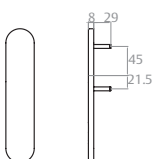
For 2035T, 2037F and 4039T series locks



Outside device	Referencia
Blind plate, black RAL 9005	EDF30EXNE
Blind plate, inox	EDF30EXIS16
Euro-profile plate black RAL 9005	EDF31EXNE
Euro-profile, inox	EDF31EXIS16
Sena Lever handle + euro-profile black RAL 9005	SIDF32EXNE
Sena handle euro-profile, inox	SIDF32EXIS16
Sena handle blind plate, black RAL 9005	SIDF33EXNE
Sena handle blind, inox	SIDF33EXIS16
Pull knob , black RAL 9005	TTF85UNE
Pull knob, inox	TTF85UIS16

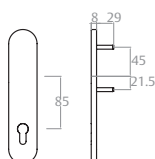
8 mm follower

Blind plate



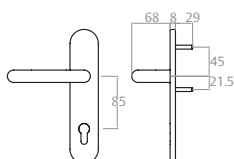
EDF30EX

Key



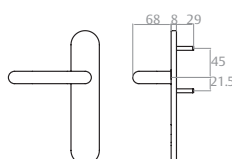
EDF31EX

Lever handle + key



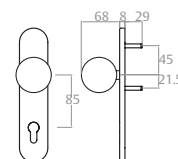
SIDF32EX

Lever handle



SIDF33EX

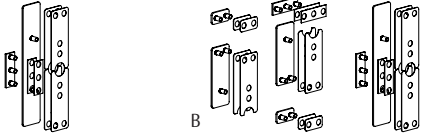
Pull knob



TTF85U

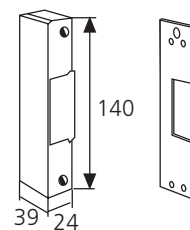


Accessories for TOP series

		Components	Product code
A	B		TOPK1CRIAI (A)
			TOPK3CRIAI (B)
		High door vertical rod devices. For GG and LG finishes. Doors up to 3200 mm.	BARV3050TOPAL
		High door vertical rod devices. For IL16 finishes Doors up to 3200 mm.	BARV3200TOPIL16

Electric strike for rim panic devices

Product code	Function	Power supply
CELNORPAD	Standard	12V. AC
CELAUTPAD	Automatic	12V. AC
CELNORPADC	Standard	12V. DC
CELAUTPADC	Automatic	12V. DC



TOP range options

Accessories	Description
Microswitch option. TOP range	Electronic device to detect bar operating
Dogging device	Dogging device suitable for models TOP1S and TOP3S*

* Not valid for FR doors. Not available in St St finish (IL16)

Microswitch and dogging option are not compatible

Panic exit devices. Quick series

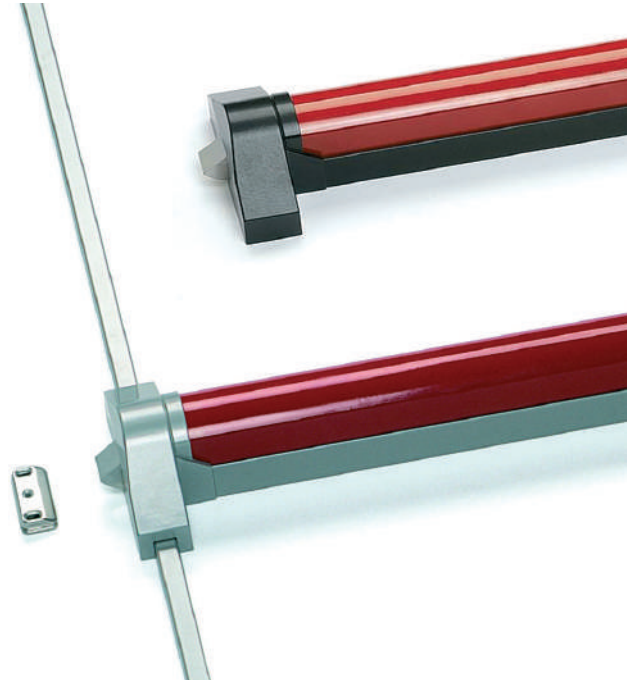
Quick series

This new range of product is based on a new modular concept and a common design.

The new QUICK panic exit device platform has the following features:

- » Very easy reversibility
- » Suitable for fire rated doors
- » Easy installation due to:
 - Standard door lengths (900 mm and 1200 mm)
 - Cuttable active bar
 - 35 mm adjustable vertical rod devices.
 - Base plate
- » Suitable for single leaf and double leaf doors.
- » Standard finishing:
 - Covers, arm and vertical rod devices in black (RAL 9005).
 - Active bar in green (RAL 6002).
 - Different finishings can be ordered.

QUICK series offer to the customers a flexible product with a wide range of options, allowing the panic exit devices to be installed in different types of doors and according to the customer's needs.



Certification EN 1125:

3 7 6 B 1 3 2 2 B A

Covers, arms and vertical rod devices	Active bar					
	NT	BT	GT	RT	VT	SAT
N	•			•	•	
B		•				
G			•			
SAT						•

NT: black (RAL 9005)

VT: green (RAL 6002)

RT: red (RAL 3000)

GT: silver (RAL 9006)

BT: white (RAL 9010)

SAT: nickel plated

For any other combination, contact the manufacturer
Example: Black/green finish: NVT
Satin finish: SAT

Product code construction

Quick	Pullman latch	Locking points	Vertical rod device cover	Door width	Strikes	Finish
MNBT= Quick	101= Steel + DS	S= 1 modular locking point	0= Visible espagnolette	9= 900 mm	S= Standard steel	NVT
	111= Steel+DS+passage*	V= Vertical multipoint	1= Espagnolette covers	2= 1.200 mm	Z= Zink alloy*	(according previous chart)
	1C1= Steel+DS+passage* c/cylinder (Quick version)	L= Lateral multipoint			R= Adjustable*	
					F= Floor steel plate	

* Non Fire Resistant



Panic exit devices. Quick series

EN1125 CE classification for Quick range

CLASSIFICATION	Grade	Description
1°. Category of use	3	High frequency of use
2°. Durability	6 – 7	(6) 100.000 - (7) 200.000 cycles
3°. Door mass	5 – 6 – 7	(5) ≤100Kg - (6) ≤200Kg - (7) >200Kg
4°. Suitability for use on fire/smoke doors	0 – A – B	(0) Not approved for use on fire/smoke door assemblies - (A) Suitable for use on smoke door assemblies - (B) Suitable for use on smoke and fire door assemblies
5°. Safety	1	Only one grade of safety shall be used (Grade 1). All panic exit devices have a critical safety function, therefore only the top grade (Grade 1) is identified for the purpose of this European Standard.
6°. Corrosion resistance	3 – 4	(3) ≤96h - (4) ≤240h
7°. Security	2	Only one grade of security shall be used (Grade 2).
8°. Projection of horizontal bar	1 – 2	(1) ≤150mm - (2) ≤100mm
9°. Type of horizontal bar operation	A - B	(A) Push-bar - (B) Touch-bar
10°. Field of door application	A – B - C	(A) Single door, double door: active or inactive leaf - (B) single door only - (C) double door, inactive leaf only

MODEL	Category of use	Durability	Door mass	Suitability for use on fire/smoke doors	Safety	Corrosion resistance	Security	Projection of horizontal bar	Type of horizontal bar operation	Field of door application
QUICK 1S	3	7	6	B	1	3	2	2	B	A
QUICK 3S	3	7	6	B	1	3	2	2	B	A
QUICK 3SL	3	7	6	B	1	3	2	2	B	A
QUICK 20	3	7	6	B	1	3	2	2	B	A
QUICK 1E+2035T	3	7	6	B	1	3	2	2	B	A
QUICK 1E+2037F	3	7	6	B	1	3	2	2	B	A
QUICK 1E+4039T	3	7	6	B	1	3	2	2	B	A
QUICK 1E+CF60	3	7	6	B	1	3	2	2	B	A
QUICK 1E+CF32	3	7	6	B	1	3	2	2	B	C
QUICK 1E+2032F	3	7	6	B	1	3	2	2	B	C
QUICK 1E+2240BA	3	6	6	0	1	3	2	2	B	B
QUICK 1E+2230PA	3	6	6	0	1	3	2	2	B	B
QUICK 1S DC	3	7	6	B	1	3	2	2	B	A
QUICK 3S DC	3	6	6	B	1	3	2	2	B	A

Touch type panic exit device. Quick serie

Rim model. QUICK1S



Rim panic device with one lateral locking point.
Steel pullman-latch with deadlatch.
Exterior operation. See table at the bottom of the page.
EN 1125 certification:

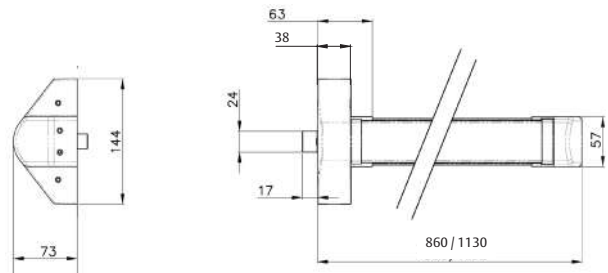
3 7 6 B 1 3 2 2 B A

The box includes:

- » 1 horizontal bar and a modular head.
- » 1 accessories bag, including strike, follower, fixing screws and base plate.
- » Assembly instructions and installation template.



Options
Standard dogging devices (no FR)
Cylinder dogging devices (no FR)
Floor strike
Zink alloy strike (no FR)
Adjustable strike (no FR)
Door width = 1.200 mm
Microswitch



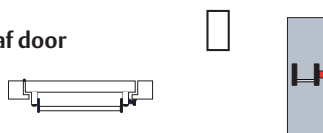
Latch	Deadlatch	Dogging devices	Strike	Door width	Cover finish	Bar finish	Product code
Steel	Yes	No	Steel	1.200	Black	Red	MNBT101M02SNRT
Steel	Yes	No	Steel	900	Black	Green	MNBT101M09SNVT
Steel	Yes	No	Steel	900	Silver	Silver	MNBT101M09SGGT
Steel	Yes	No	Steel	900	Nickel plated	Nickel plated	MNBT101M09SSAT
Steel	Yes	No	Steel	900	Black	Red	MNBT101M09SNRT

Highlighted part numbers: "Express 5" service.

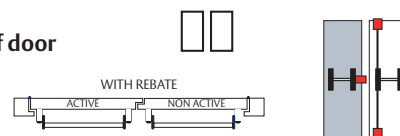
For other combinations/requirements, refer to the PRODUCT CODE CONSTRUCTION chart in page 35

Configuration

1 leaf door



2 leaf door



Outside device	Blind plate	Blind lever handle	Modular lever handle
No outside opening	•		
Free passing door		•	•
Cylinder locking	Knob / lever handle opening		•
	Captive Key system		• ⁽¹⁾

(1) It is needed to lock the outside access device to remove the key

Touch type panic exit device. Quick series

Rim model. QUICK3S

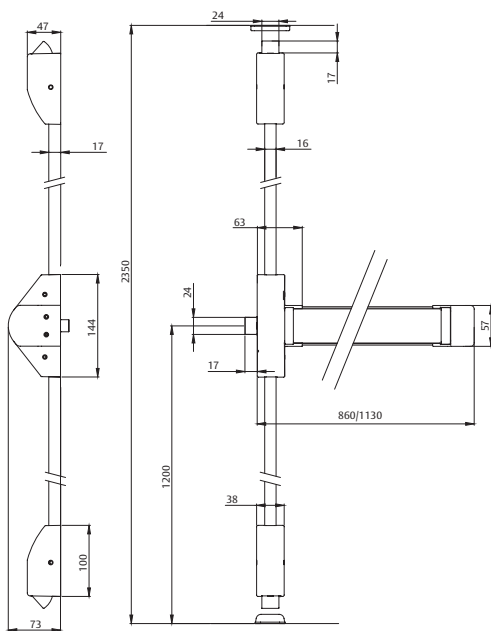
Rim panic device with 2/3 vertical locking points.
Steel pullman-latch with deadlatch.
Exterior operation. See table at the bottom of the page.

EN 1125 certification:

3 7 6 B 1 3 2 2 B A

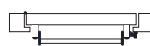
The box includes:

- » 1 horizontal bar and a modular head.
- » 1 accessories bag, including: fixing screws, strike (top, bottom and central), follower, cover for central locking point and base plate.
- » 2 vertical rod devices (L=1090mm).
- » 2 locking points (upper and lower).
- » Assembly instructions and installation template.

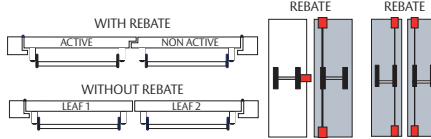


Configuration

1 leaf door



2 leaf door



Options

- Standard dogging device (no FR)
- Cylinder dogging device (no FR)
- Floor strikes
- Zink alloy strike (no FR)
- Adjustable strike (no FR)
- Door width = 1.200 mm
- Vertical rod device cover
- Microswitch

Latch	Deadlatch	Dogging devices	Strike	Door width	Vertical rod device cover	Cover finish	Bar finish	Product code
Steel	Yes	No	Steel	900	No	Silver	Silver	MNBT101V09SGGT
Steel	Yes	No	Steel	900	No	Black	Red	MNBT101V09SNRT
Steel	Yes	No	Steel	900	No	Black	Green	MNBT101V09SNVT
Steel	Yes	No	Steel	1200	No	Black	Red	MNBT101V02SNRT
Steel	Yes	No	Steel	900	Yes	Silver	Silver	MNBT101V19SGGT
Steel	Yes	No	Steel	900	No	Nickel plated	Nickel plated	MNBT101V09SSAT

Highlighted part numbers: "Express 5" service.

For other combinations/requirements, refer to the PRODUCT CODE CONSTRUCTION chart in page 35

Outside device	Blind plate	Blind lever handle	Modular lever handle
No outside opening	•		
Free passing door		•	•
Cylinder locking	Knob / lever handle opening		•
	Captive Key system		• ⁽¹⁾

(1) It is needed to lock the outside access device to remove the key

Touch type panic exit device. Quick series

Rim model. QUICK3SL

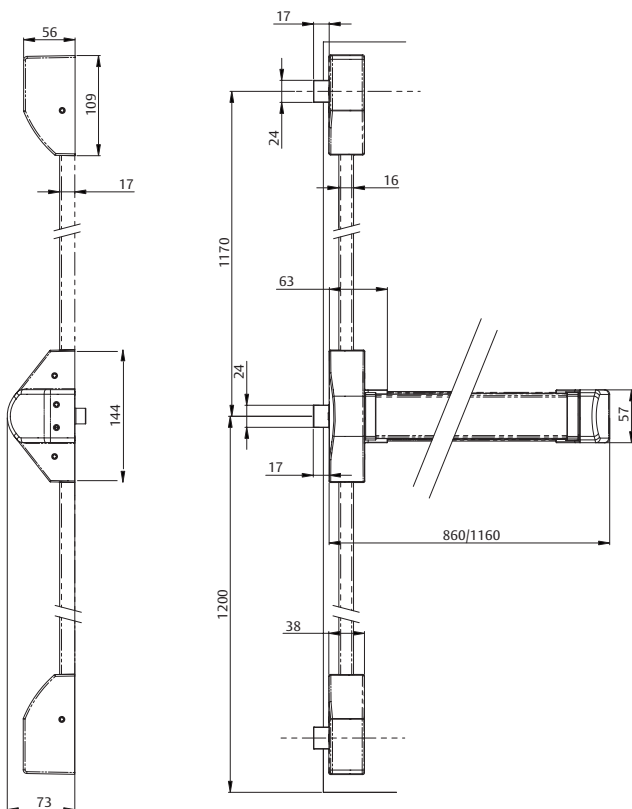
Rim panic device with 3 lateral locking points.
Steel pullman-latch with deadlatch.
Exterior operation. See table at the bottom of the page.

EN 1125 certification:

3 7 6 B 1 3 2 2 B A

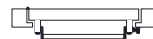
The box includes:

- » 1 horizontal bar and a modular head.
- » 1 accessories bag, including: fixing screws, 3 central strikes, follower, and base plate.
- » 2 vertical rod devices (L=1090mm).
- » 2 lateral locking points (upper and lower).
- » Assembly instructions and installation template.

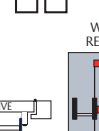
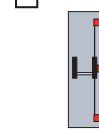


Configuration

1 leaf door



2 leaf door



Options

- Standard dogging device (no FR)
- Cylinder dogging device (no FR)
- Floor strikes
- Zink alloy strike (no FR)
- Adjustable strike (no FR)
- Door width = 1.200 mm
- Vertical rod device cover
- Microswitch

Latch	Deadlatch	Dogging devices	Strike	Door width	Vertical rod device cover	Cover finish	Bar finish	Product code
Steel	Yes	No	Steel	1.200	No	Black	Red	MNBT101L02SNRT
Steel	Yes	No	Steel	900	No	Black	Green	MNBT101L09SNVT

For other combinations/requirements, refer to the PRODUCT CODE CONSTRUCTION chart in page 35

Outside device	Blind plate	Blind lever handle	Modular lever handle
No outside opening	•		
Free passing door		•	•
Cylinder locking	Knob / lever handle opening		•
	Captive Key system		• ⁽¹⁾

(1) It is needed to lock the outside access device to remove the key

Touch type panic exit device. Quick series

Rim model. QUICK20

Rim panic device with 2 locking points with steel roller bolts.
Used when a rim strike can not be installed in the lower locking point.
Exterior operation. See table at the bottom of the page.
EN 1125 certification:

3 7 6 B 1 3 2 2 B A

The box includes:

- » 1 horizontal bar and a modular head.
- » 1 accessories bag, including: fixing screws, 2 top and bottom strikes, follower and base plate.
- » 2 vertical rod devices (L=1090mm).
- » 2 vertical points (upper and lower).
- » Assembly instructions and installation template.

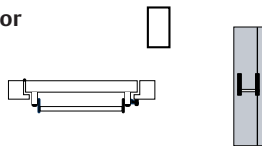
Model	Door width	Follower	Cover finish	Bar finish	Product code
QUICK20	900	8	Black	Green	QUICK20908NV
QUICK20	900	8	Black	Black	QUICK20908NN
QUICK20	900	8	Black	Red	QUICK20908NR
QUICK20	900	8	Nickel plated	Nickel plated	QUICK20908SA
QUICK20	900	8	Silver	Silver	QUICK20908GG

Highlighted part numbers: "Express 5" service. For other combinations/requirements, refer to the PRODUCT CODE CONSTRUCTION chart in page 35

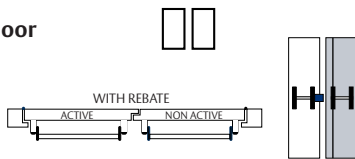


Configuration

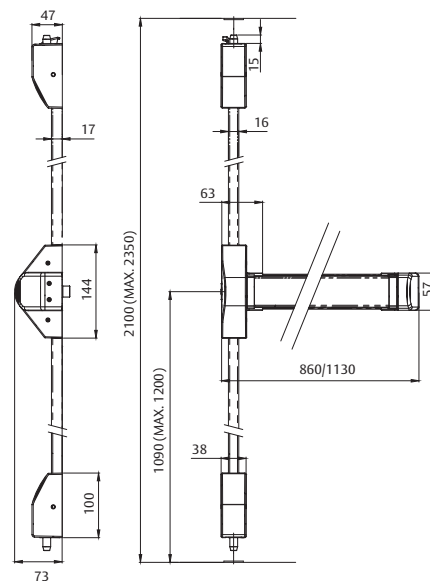
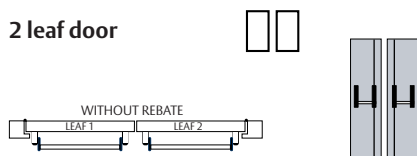
1 leaf door



2 leaf door



2 leaf door



Outside device	Blind plate	Blind lever handle	Modular lever handle
No outside opening	•		
Free passing door		•	•
Cylinder locking	Knob / lever handle opening		•
	Captive Key system		• (1)

(1) It is needed to lock the outside access device to remove the key

Touch type panic exit device. Quick series

Mortise version for single leaf. QUICK1E

EN 1125 certificate in the 2 configurations: QUICK1E + CF60 and QUICK1E + 2035T/ 4039T/ 2037F / 2230PA / 2240BA.



3 7/6*** 6 B/0* 1 3 2 2 B A/B**

* B: VALID for fire rated doors: CF60 – 2035T – 2037F – 4039T

* 0: NO VALID or fire rated doors: 2240BA – 2230PA

** A: CF60 – 2035T – 2037F – 4039T

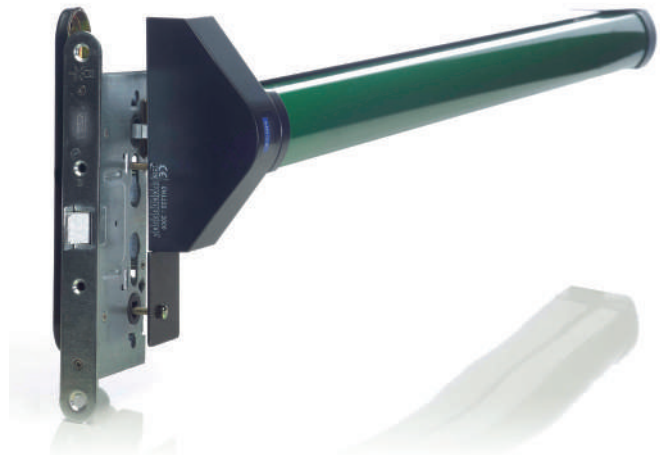
** B: 2240BA – 2230PA

*** 6: 2240BA – 2230PA/ 7: CF60 – 2035T – 2037F – 4039T

1- Panic exit device

The box includes:

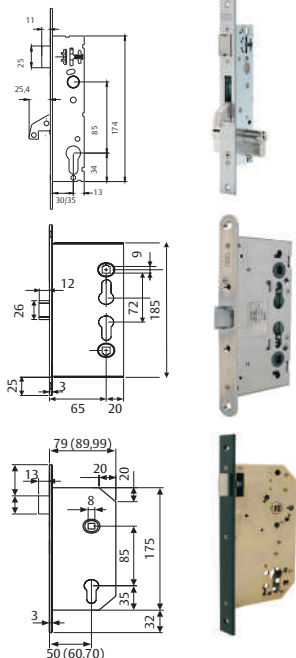
- » 1 horizontal bar and a modular head.
- » 1 inner plate.
 - (1) For 2035T / 2037F / 4039T / 2230PA / 2240BA: short base plate.
 - (2) For CF60: long base plate.
- » Assembly instructions and installation template.
- » 1 accessories bag:
 - Follower
 - Fixing screws.
 - Plastic hub cap (to be fitted with the interior plate).



3. Outside devices

The outside device must be selected depending on the type of lock. Two models are available: one for CF60 lock and the other for 2035T, 2037F, 4039T, 2230BA and 2240PA.

2. Locks



2240BA. Single point. 8 mm follower. Handed.

2230PA. Multipoint. 8 mm follower. Handed. Solution valid for single leaf door.

CF60. 9 mm follower Reversible.

2035T. 8 mm follower. Handed. No cylinder, for free passing door.

2037F. 8 mm follower reversible (non handed). Valid for outside handle locking cylinder.

4039T. 8 mm follower. Handed. Cylinder required for external door opening.

Model	Door width	Follower	Cover finish	Bar finish	Product code
QUICK1E	900mm	8 (1)	Black	Green	QUICK1E908NV
QUICK1E	900mm	9 (2)	Black	Green	QUICK1E909NV
QUICK1E	1.200mm	8 (1)	Black	Green	QUICK1E208NV
QUICK1E	1.200mm	9 (2)	Black	Green	QUICK1E209NV
QUICK1E	900mm	9 (2)	Nickel plated	Nickel plated	QUICK1E909SA
QUICK1E	1.200mm	9 (2)	Black	Black	QUICK1E209NN
QUICK1E	1.200mm	9 (2)	Black	Red	QUICK1E209NR
QUICK1E	1.200mm	9 (2)	Nickel plated	Nickel plated	QUICK1E209SA
QUICK1E	900mm	8 (1)	Silver	Silver	QUICK1E908GG
QUICK1E	900mm	8 (1)	Black	Red	QUICK1E908NR
QUICK1E	900mm	9 (2)	Silver	Silver	QUICK1E909GG
QUICK1E	900mm	9 (2)	Black	Black	QUICK1E909NN
QUICK1E	900mm	9 (2)	Black	Red	QUICK1E909NR

For other combinations/requirements, refer to the PRODUCT CODE CONSTRUCTION chart in page 35

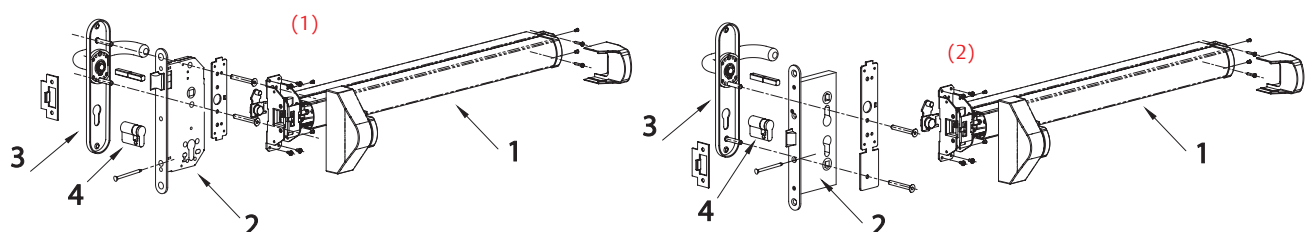
Highlighted part numbers: "Express 5" service.

4. Cylinders

Any type of TESA cylinder can be used, facilitating the Masterkeying. Cylinder length will depend on the lock position and the door thickness.

5. Square spindles

Select the square spindle according to the lock and outside device. See available range on page. 46.



Touch type panic exit device. Quick series

Mortice Model. Double doors. QUICK1E

EN 1125 certificate in the configuration QUICK1E+CF32/2032F



3 7 6 B 1 3 2 2 B C

Active leaf

Use a QUICK1E model panic device + CF60/2035T/2037F/4039T lock + outside accessory. See page 49 for product codes.

Non active leaf (secondary leaf)

1. Panic exit device

The same as active door. See page 49 for product codes.

2. Counterlock

CF32: Ref. CF322EN1SR9Z/I CE. Reversible. 9 mm follower.

2032F: Ref. 2032F6RAI. Reversible. 8 mm follower.

Both the top and bottom have screwed clasps to hold in place the vertical rods. Manual and panic operation modes on the same lock.

3. Vertical rod retainer

Ref.: RETCF32R. It is placed on the inside of the door at the top point of closing. Operation: activating the panic device, the vertical rods are released from their clasps and are supported by the retainer. On closing the door the retainer RETCF32R hits the strike freeing the movement of the vertical rods and allowing the door to be closed.

4. Vertical rods (upper and lower).

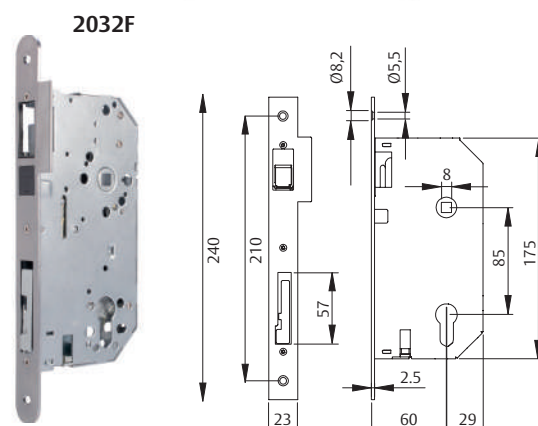
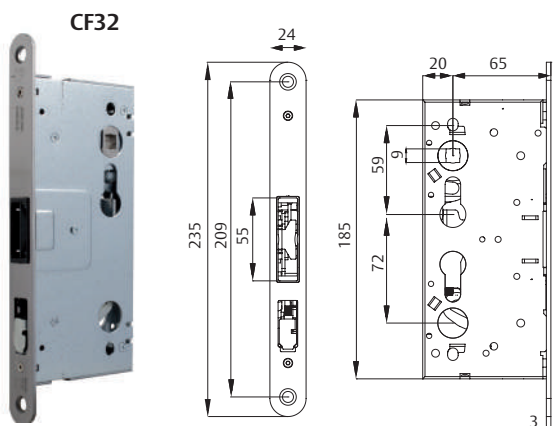
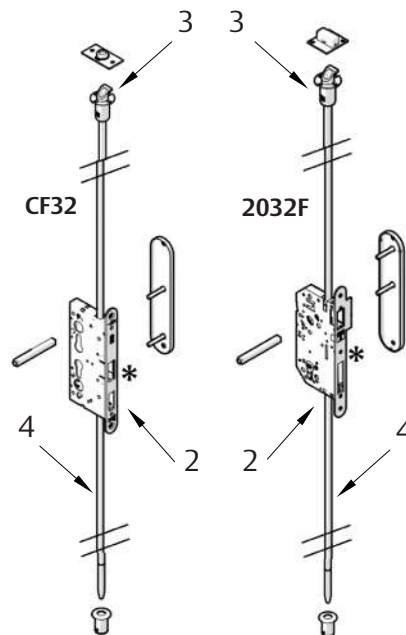
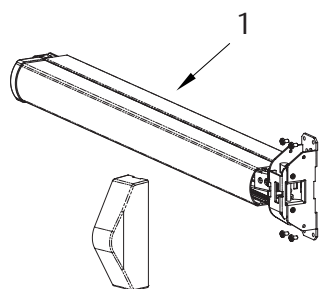
CF32: Ref. BARVECF32CE.

2032F: Ref. BARVE2032FCE

One end finishes with a roller bolt for the locking points and the other has screwed ends to enable union with the counterlock. This Product code also includes the floor strike.

5. Square spindles

Select the square spindle according to the lock and outside device. See available range on page. 46.



Outside trim for QUICK serie

Outside lever handle for rim version

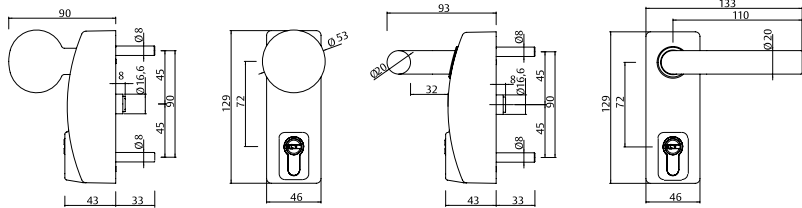
Modular lever handle



8 m follower

30 x 10 cylinder with $r=15$ mm available with all systems.

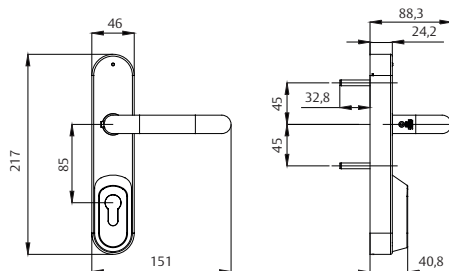
Outside device	Cylinder	Product code
Modular lever handle black RAL 9005	-	MMODMPSCNE
Modular lever handle silver RAL 9006	-	MMODMPSCGR
Modular lever handle nickel plated	-	MMODMPCSAT
Modular lever handle with euro-profile black RAL 9005	TE-5	MMODMBT5NE
Modular lever handle with euro-profile silver RAL 9006	TE-5	MMODMBT5GR
Modular lever handle with euro-profile nickel plated	TE-5	MMODMBT5SAT
Modular lever handle with euro-profile black RAL 9005	-	MMODMBSCNE
Modular lever handle with euro-profile silver RAL 9006	-	MMODMBSCGR
Modular lever handle with euro-profile nickel plated	-	MMODMBSCSAT
Modular swing pull knob with euro-profile black RAL 9005	TE-5	MMODPBT5NE
Modular swing pull knob with euro-profile silver RAL 9006	TE-5	MMODPBT5GR
Modular swing pull knob with euro-profile nickel plated	TE-5	MMODPBT5SAT
Modular swing pull knob with euro-profile black RAL 9005	-	MMODPBSCNE
Modular swing pull knob with euro-profile silver RAL 9006	-	MMODPBSCGR
Modular swing pull knob with euro-profile nickel plated	-	MMODPBSCSAT



Modular lever handle Sena Stainless steel

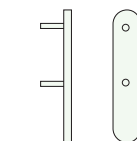


Outside device	Cylinder	Product code
Modular lever handle Sena Stainless steel	-	MANGLOBSCIL16
Modular lever handle Sena Stainless steel	TE-5	MANGLOBT5IL16



Blind plate

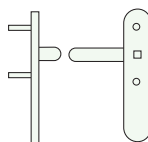
In the installations where no outside trim is going to be used, it is recommended to install a blind plate.



Outside device	Product code
Blind plate, black RAL 9005	E1910EXNE
Inox blind plate	E1910EXIS16

Blind plate lever handle

In those cases where cylinder is no needed, it can be used blind lever handle



Outside device	Product code
Blind handle, black RAL 9005	S11913EXNE
Inox blind handle	S11913EXIS16

Outside trim for Quick serie

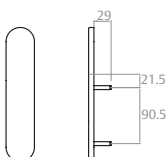
Outside device for mortice models

For CF60 series lock



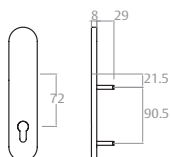
Outside device	Product code
Blind plate, black RAL 9005	EDF90EXNE
Blind plate, inox	EDF90EXIS16
Euro-profile plate black RAL 9005	EDF91EXNE
Euro-profile, inox	EDF91EXIS16
Sena Lever handle + euro-profile black RAL 9005	SIDF92EXNE
Sena handle euro-profile, inox	SIDF92EXIS16
Sena handle blind plate, black RAL 9005	SIDF93EXNE
Sena handle blind, inox	SIDF93EXIS16
Pull knob , black RAL 9005	TTF72UNE
Pull knob, inox	TTF72UIS16

Blind plate



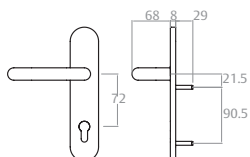
EDF90EX

Key



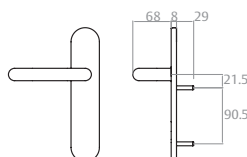
EDF91EX

Lever handle + key



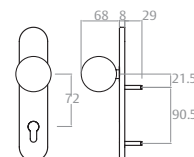
SIDF92EX

Lever handle



SIDF93EX

Pull knob



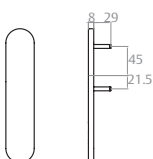
TTF72U

For 2035T, 2037F, 4039T, 2230BA and 2240PA series locks



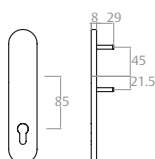
Outside device	Product code
Blind plate, black RAL 9005	EDF30EXNE
Blind plate, inox	EDF30EXIS16
Euro-profile plate black RAL 9005	EDF31EXNE
Euro-profile, inox	EDF31EXIS16
Sena Lever handle + euro-profile black RAL 9005	SIDF32EXNE
Sena handle euro-profile, inox	SIDF32EXIS16
Sena handle blind plate, black RAL 9005	SIDF33EXNE
Sena handle blind, inox	SIDF33EXIS16
Pull knob , black RAL 9005	TTF85UNE
Pull knob, inox	TTF85UIS16

Blind plate



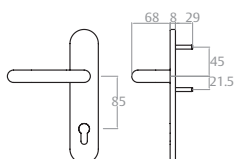
EDF30EX

Key



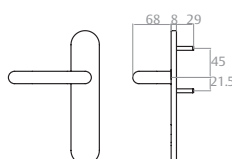
EDF31EX

Lever handle + key



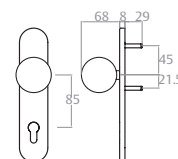
SIDF32EX

Lever handle



SIDF33EX

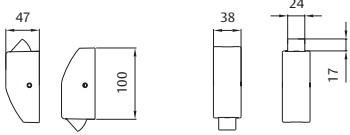
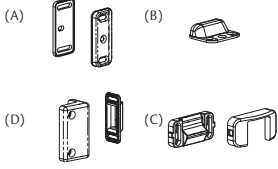
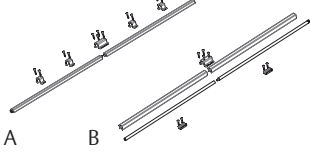
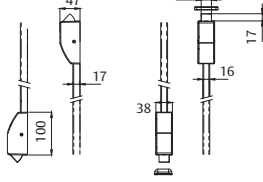
Pull knob



TTF85U

Accessories for Quick rim version

Accessories

	Description	Product code
	<p>Top / bottom support QUICK</p> <p>Top / bottom lateral support QUICK</p>	<p>REENABMNFN</p> <p>REEN3LMNFN</p>
	<p>Central steel plate strike (A)</p> <p>Floor steel plate strike (B)</p> <p>Aluminium door zink alloy strike (C)</p> <p>PVC door adjustable strike (D)</p>	<p>CERFRCT</p> <p>CERFRFT</p> <p>CERALUMT (no RF)</p> <p>CERPVCT (no RF)</p>
	<p>Vertical rod device for 3,5 mm high doors (A)</p> <p>Vertical rod device + cover for 3,5 mm high doors (B)</p>	<p>BARFVMN35N</p> <p>BARFCMN35N</p>
	<p>Kit to pass from 1S to 3S</p>	<p>KITMN1S3SF</p>



Accessories for Quick series

Components

	Components	Product code
	From 9 to 8 mm For fire rated locks with double nut	44900HH
	From 9 to 8 mm For fire rated locks with single nut	CASQUCF50
	Double square spindle 8/9 + 9/8	(A) CDCF60MAK (B) CDCF60MAKXL
	Double square spindle 8/8 + 8/8	(A) CD2030S8M (B) CD2030S8MXL
	Double square spindle 8/9 + 9/9	(A) CDCF6089M (B) CDCF6089MXL (C) CDCF6089M40
	Square spindle 9/9 + 9/9	DM9912CUA
	Double square spindle 9/9 + 9/9	(A) CD9X559X67 (B) CD9X1009X67 (C) CD9X409X67
	Square spindle	CUADRAD990S500
	Square spindle 8/8+8/8	(A) CDFUEGO8M (B) CDFUEGO8MXL

Panic device for people with reduced mobility

Push bar model (type A) GLOBAL 1DC

Surface-mounted device for people with reduced mobility, with double action bar and lateral latch point.

Latch with anti-card device

EN 1125 certification:

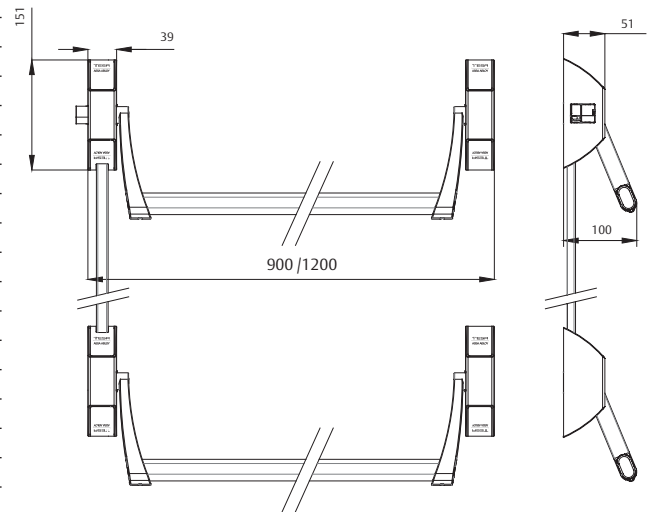
3 7 6 B 1 3 2 2 A A

Pack includes:

- » 1 main support for the upper bar, including mechanism, cover and arm.
- » 1 main support for the lower bar, including mechanism, cover and arm.
- » 2 secondary supports, including mechanism, cover and arm.
- » 2 horizontal tubes.
- » Accessory bags with base plate, follower, mounting screws, trims for the covers, caps for the arms and striker.
- » Assembly instruction sheet.
- » Installation template.

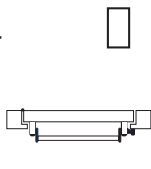


Model	Length (mm)	Finish	Product code
GLOBAL1DC	900 mm	Grey - Grey	GL1D908GG
		Grey - Black	GL1D908GN
		Satin - Stainless Steel	GL1D908SI
		White - White	GL1D908BB
		Titanium - Stainless Steel	GL1D908TI
		Satin - Black	GL1D908SN
		Stainless Steel - Stainless Steel	GL1D908II
		Titanium - Titanium	GL1D908TT
		Grey - Red	GL1D908GR
		Grey - Green	GL1D908GV
		Black - Black	GL1D908NN
GLOBAL1DC	1.200 mm	Black - Red	GL1D908NR
		Grey - Grey	GL1D208GG
		Grey - Black	GL1D208GN
		Satin - Stainless Steel	GL1D208SI
		White - White	GL1D208BB
		Titanium - Stainless Steel	GL1D208TI
		Satin - Black	GL1D208SN
		Stainless Steel - Stainless Steel	GL1D208II
		Titanium - Titanium	GL1D208TT
		Grey - Red	GL1D208GR
		Grey - Green	GL1D208GV
Black - Black	GL1D208NN		
Black - Red	GL1D208NR		

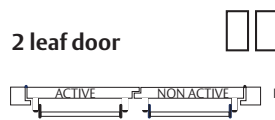


Configuration

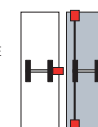
1 leaf door



2 leaf door



RIM WITH REBATE



Panic device for people with reduced mobility

Modelo de empuje (tipo A) GLOBAL 3DC

Surface-mounted device for people with reduced mobility, with double action bar and 2/3 vertical points.

Latch with anti-card device

EN 1125 certification:

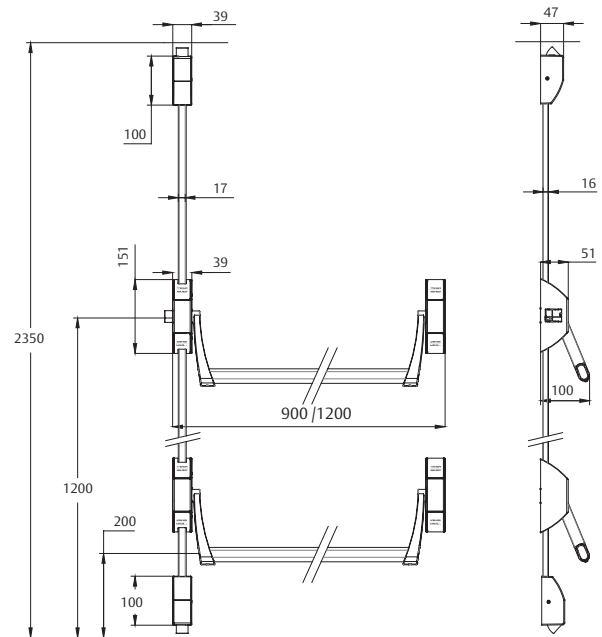
3 7 6 B 1 3 2 2 A A

Pack includes:

- » 1 main support for the upper bar, including mechanism, cover and arm.
- » 1 main support for the lower bar, including mechanism, cover and arm.
- » 2 secondary supports, including mechanism, cover and arm.
- » 2 horizontal tubes.
- » 2 bolts.
- » Accessory bags with base plate, follower, mounting screws, bolt guide, trims for the covers, caps for the arms and strikers.
- » Assembly instruction sheet.
- » Installation template.

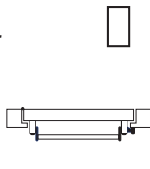


Model	Length (mm)	Finish	Product code
GLOBAL3DC	900 mm	Grey - Grey	GL3D908GG
		Grey - Black	GL3D908GN
		Satin - Stainless Steel	GL3D908SI
		White - White	GL3D908BB
		Titanium - Stainless Steel	GL3D908TI
		Satin - Black	GL3D908SN
		Stainless Steel - Stainless Steel	GL3D908II
		Titanium - Titanium	GL3D908TT
		Grey - Red	GL3D908GR
		Grey - Green	GL3D908GV
		Black - Black	GL3D908NN
		Black - Red	GL3D908NR
		GLOBAL3DC	1.200 mm
Grey - Black	GL3D208GN		
Satin - Stainless Steel	GL3D208SI		
White - White	GL3D208BB		
Titanium - Stainless Steel	GL3D208TI		
Satin - Black	GL3D208SN		
Stainless Steel - Stainless Steel	GL3D208II		
Titanium - Titanium	GL3D208TT		
Grey - Red	GL3D208GR		
Grey - Green	GL3D208GV		
Black - Black	GL3D208NN		
Black - Red	GL3D208NR		

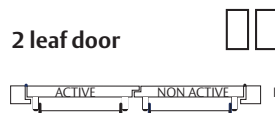


Configuration

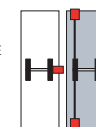
1 leaf door



2 leaf door



RIM WITH REBATE



Outside device for GLOBAL series

Outside devices. Rim models (GLOBAL 1DC/ GLOBAL 3DC)

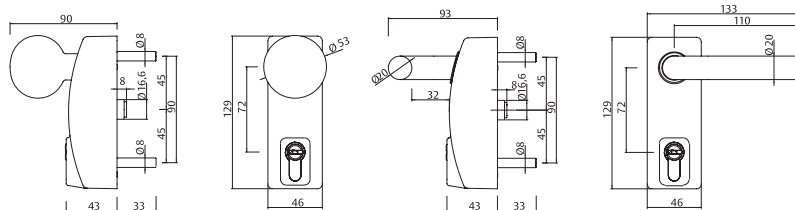
Modular lever handle



8 mm follower

30 x 10 cylinder with $r=15$ mm available with all systems.

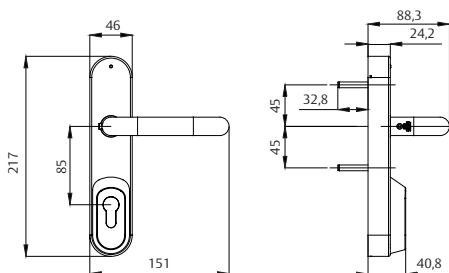
Outside device	Cylinder	Product code
Modular lever handle black RAL 9005	-	MMODMPSCNE
Modular lever handle silver RAL 9006	-	MMODMPSCGR
Modular lever handle nickel plated	-	MMODMPSSAT
Modular lever handle with euro-profile black RAL 9005	TE-5	MMODMBT5NE
Modular lever handle with euro-profile silver RAL 9006	TE-5	MMODMBT5GR
Modular lever handle with euro-profile nickel plated	TE-5	MMODMBTSAT
Modular lever handle with euro-profile black RAL 9005	-	MMODMBSCNE
Modular lever handle with euro-profile silver RAL 9006	-	MMODMBSCGR
Modular lever handle with euro-profile nickel plated	-	MMODMBSSAT
Modular swing pull knob with euro-profile black RAL 9005	TE-5	MMODPBT5NE
Modular swing pull knob with euro-profile silver RAL 9006	TE-5	MMODPBT5GR
Modular swing pull knob with euro-profile nickel plated	TE-5	MMODPBT5AT
Modular swing pull knob with euro-profile black RAL 9005	-	MMODPBSCNE
Modular swing pull knob with euro-profile silver RAL 9006	-	MMODPBSCGR
Modular swing pull knob with euro-profile nickel plated	-	MMODPBSSAT



Modular lever handle Sena Stainless steel

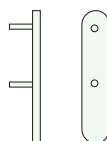


Outside device	Cylinder	Product code
Modular lever handle Sena Stainless steel	-	MANGLOBSCIL16
Modular lever handle Sena Stainless steel	TE-5	MANGLOBT5IL16



Blind plate

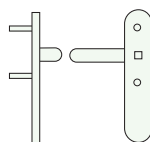
In the installations where no outside trim is going to be used, it is recommended to install a blind plate.



Outside device	Product code
Blind plate, black RAL 9005	E1910EXNE
Inox blind plate	E1910EXIS16

Blind plate lever handle

In those cases where cylinder is no needed, it can be used blind lever handle



Outside device	Product code
Blind handle, black RAL 9005	SI1913EXNE
Inox blind handle	SI1913EXIS16

Panic device for people with reduced mobility

Touch type (B type) TOP1D / TOP2D

Double rim panic device with 1/2 locking points. Stainless steel orbital latch. Outside device. Check in the below chart.
Outside access device defined at the bottom of the page.

Certification EN 1125:

3 7 6 B 1 4 2 2 B A

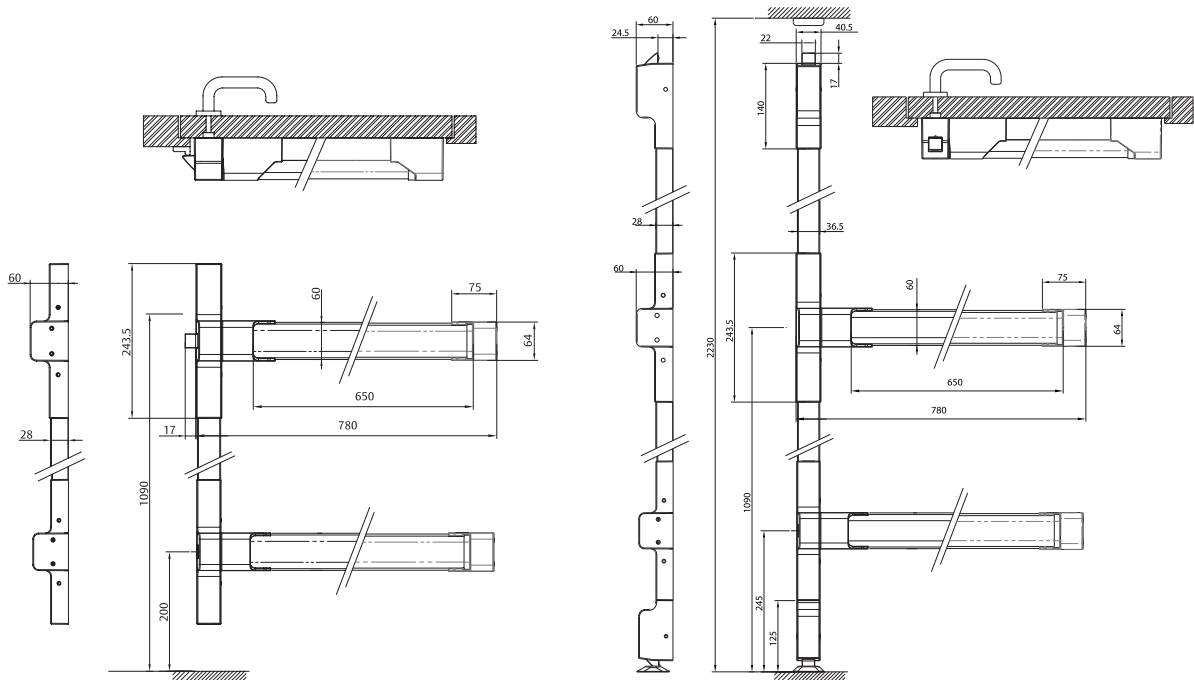
The box includes:

- » 2 horizontal bar and modular heads.
- » 1(2) vertical rods and covers.
- » 2 locking points, upper and lower, for TOP2D.
- » Accessory bag with strikes – (high, low) or central strikes for installation on double-leaf doors –, square spindle, fixing screws and a plastic cap for covering the central locking point.
- » Assembly instructions and installation template.

Model	Door length	Square spindle mm	Cover finish	Bar finish	Product code
TOP1D	800	8	Silver	Lime	TOP1D808LG
TOP2D	800	8	Silver	Lime	TOP2D808LG

For other combinations, ask TESA

Highlighted part numbers: "Express 5" service



Outside device	Blind plate	Euro-profile plate	Lever handle with euro-profile	Lever handle	Pull knob with euro-profile	Modular lever handle
No outside opening	•					
Free passing door				•		•
Cylinder locking	Knob / lever handle opening		•			•
	Captive key system					• ⁽¹⁾

(1) It is needed to lock the outside access device to remove the key

Outside device for TOP serie

Outside devices. Rim models (TOP1D and TOP2D)

Sena lever handle



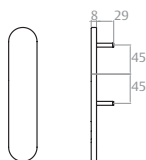
8 mm follower

Outside device	Product code
Blind plate, black RAL 9005	E1910EXNE
Blind plate inox	E1910EXIS16
Euro-profile plate* black RAL 9005	E1911EXNE
Euro-profile plate* inox	E1911EXIS16
Sena Lever handle + euro-profile* black RAL 9005	SI1912EXNE
Sena handle euro-profile* inox	SI1912EXIS16
Sena handle blind plate, black RAL 9005	SI1913EXNE
Sena handle blind plate inox	SI1913EXIS16
Pull knob* inox	TTF10UNE
Pull knob* inox	TTF10UIS16



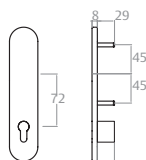
* Requires a half cylinder
L x 10 de r=15 mm any system is valid.
L=door thickness +25 mm.

Blind plate



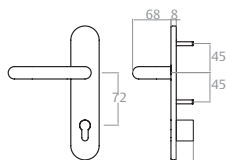
E1910EX

Key



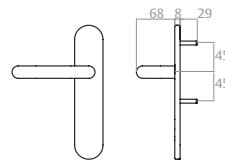
E1911EX

Lever handle + key



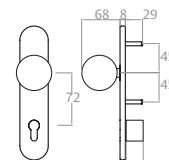
SI1912EX

Lever handle



SI1913EX

Pull knob



TTF10U

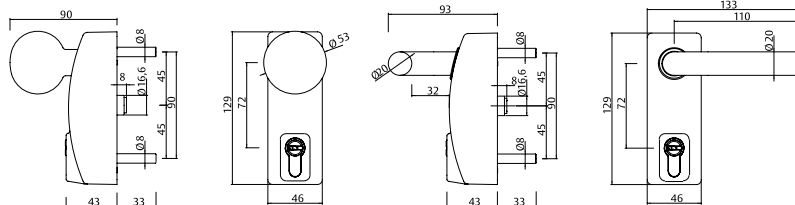
Modular lever handle



8 mm follower

30 x 10 cylinder with r=15 mm available with all systems.

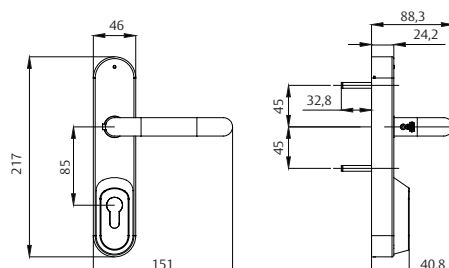
Outside device	Cylinder	Product code
Modular lever handle black RAL 9005	-	MMODMPSCNE
Modular lever handle silver RAL 9006	-	MMODMPSCGR
Modular lever handle nickel plated	-	MMODMPCSAT
Modular lever handle with euro-profile black RAL 9005	TE-5	MMODMBT5NE
Modular lever handle with euro-profile silver RAL 9006	TE-5	MMODMBT5GR
Modular lever handle with euro-profile nickel plated	TE-5	MMODMBT5SAT
Modular lever handle with euro-profile black RAL 9005	-	MMODMBSCNE
Modular lever handle with euro-profile silver RAL 9006	-	MMODMBSCGR
Modular lever handle with euro-profile nickel plated	-	MMODMB5CSAT
Modular swing pull knob with euro-profile black RAL 9005	TE-5	MMODPBT5NE
Modular swing pull knob with euro-profile silver RAL 9006	TE-5	MMODPBT5GR
Modular swing pull knob with euro-profile nickel plated	TE-5	MMODPBT5SAT
Modular swing pull knob with euro-profile black RAL 9005	-	MMODPBSCNE
Modular swing pull knob with euro-profile silver RAL 9006	-	MMODPBSCGR
Modular swing pull knob with euro-profile nickel plated	-	MMODPB5CSAT



Modular lever handle Sena Stainless steel



Outside device	Cylinder	Product code
Modular lever handle Sena Stainless steel	-	MANGLOBSCIL16
Modular lever handle Sena Stainless steel	TE-5	MANGLOBT5IL16



Panic device for people with reduced mobility

Touch type (type B) QUICK1D/QUICK3D



Rim panic devices for handicapped with 1(2/3) locking points with double operable active bars. Steel swing latch. Central latch with anti-card device. Outside access device defined at the bottom of the page.

Certification EN 1125:

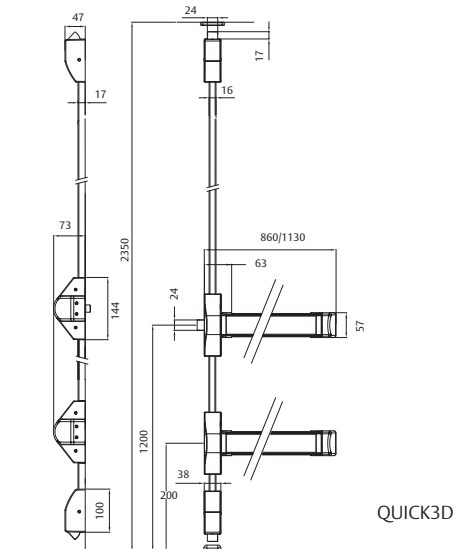
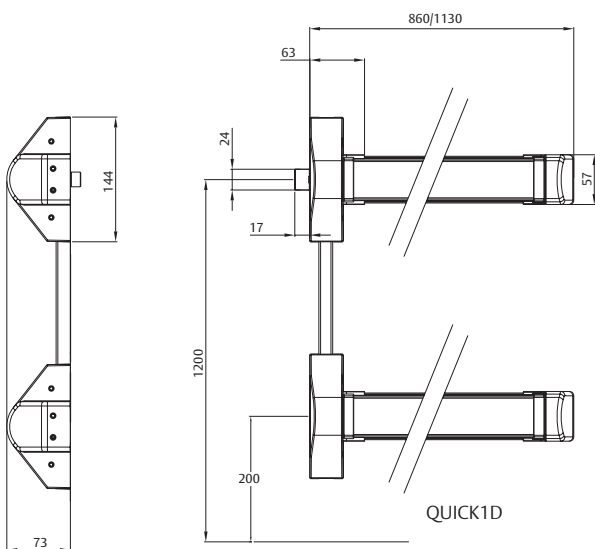
3 7 6 B 1 3 2 2 A A

The box includes:

- » 2 horizontal bars with modular heads.
- » 1090 mm length vertical rod and covers: 1/2 units.
- » 2 locking points, upper and lower.
- » Accessory bags with strikes, fixing screws, vertical rod guides, follower and baseplate.
- » Assembly instructions and installation template.

Model	Horizontal tube bar length	Square spindle mm	Cover finish	Bar finish	Product code
QUICK1D	900	8	Black	Green	QUICK1D908NV
QUICK3D	900	8	Black	Green	QUICK3D908NV

Other finishes ask TESA.



Outside device	Blind plate	Blind lever handle	Modular lever handle
No outside opening	•		
Free passing door		•	•
Cylinder locking	Knob / lever handle opening		•
	Captive Key system		• (1)

(1) It is needed to lock the outside access device to remove the key

Outside trim for QUICK serie

Outside lever handle for rim version

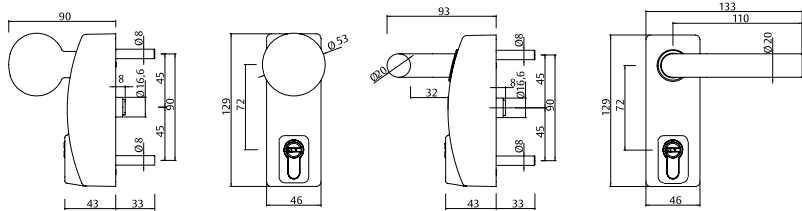
Modular lever handle



8 m follower

30 x 10 cylinder with $r=15$ mm available with all systems.

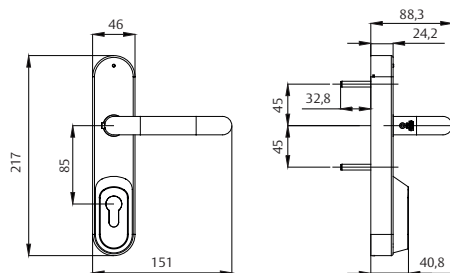
Outside device	Cylinder	Product code
Modular lever handle black RAL 9005	-	MMODMPSCNE
Modular lever handle silver RAL 9006	-	MMODMPSCGR
Modular lever handle nickel plated	-	MMODMPCSAT
Modular lever handle with euro-profile black RAL 9005	TE-5	MMODMBT5NE
Modular lever handle with euro-profile silver RAL 9006	TE-5	MMODMBT5GR
Modular lever handle with euro-profile nickel plated	TE-5	MMODMBT5SAT
Modular lever handle with euro-profile black RAL 9005	-	MMODMBSCNE
Modular lever handle with euro-profile silver RAL 9006	-	MMODMBSCGR
Modular lever handle with euro-profile nickel plated	-	MMODMBSCSAT
Modular swing pull knob with euro-profile black RAL 9005	TE-5	MMODPBT5NE
Modular swing pull knob with euro-profile silver RAL 9006	TE-5	MMODPBT5GR
Modular swing pull knob with euro-profile nickel plated	TE-5	MMODPBT5SAT
Modular swing pull knob with euro-profile black RAL 9005	-	MMODPBSCNE
Modular swing pull knob with euro-profile silver RAL 9006	-	MMODPBSCGR
Modular swing pull knob with euro-profile nickel plated	-	MMODPBSCSAT



Modular lever handle Sena Stainless steel

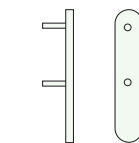


Outside device	Cylinder	Product code
Modular lever handle Sena Stainless steel	-	MANGLOBSCIL16
Modular lever handle Sena Stainless steel	TE-5	MANGLOBT5IL16



Blind plate

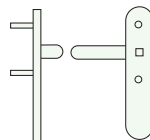
In the installations where no outside trim is going to be uses, it is recommended to install a blind plate.



Outside device	Product code
Blind plate, black RAL 9005	E1910EXNE
Inox blind plate	E1910EXIS16

Blind plate lever handle

In those cases where cylinder is no needed, it can be used blind lever handle



Outside device	Product code
Blind handle, black RAL 9005	S11913EXNE
Inox blind handle	S11913EXIS16

Emergency exit devices

PUSH PAD

The main objective is to permit the opening of a door as quickly as possible and in one single movement although this requires prior knowledge of this function.

Unlike anti-panic devices, emergency devices are intended for use by people familiar with the building environment and the opening systems located along the escape route.

The European Norm in force -EN 179- does not stipulate any particular design, and accepts 2 types of operations: with lever handle and push-pad.

Examples of emergency devices are the mortice lock with panic function and lever handle or Push-Pad devices with rim latch.

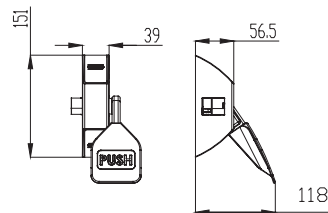
1 / 2 / 3 locking points rim type PUSH-PAD. Global Serie.

1 point Push-Pad: GLOBALPUL1S

Certification EN 179:

3 7 6 B 1 3 2 2 A A

- » Rim type emergency exit device.
- » Finishes: cover in black and push-pad in green.
Outside device similar to GLOBAL rim panic exit device series.
- » For other finishes, contact the factory.



Model
GLPUL1S008NV

Emergency exit devices

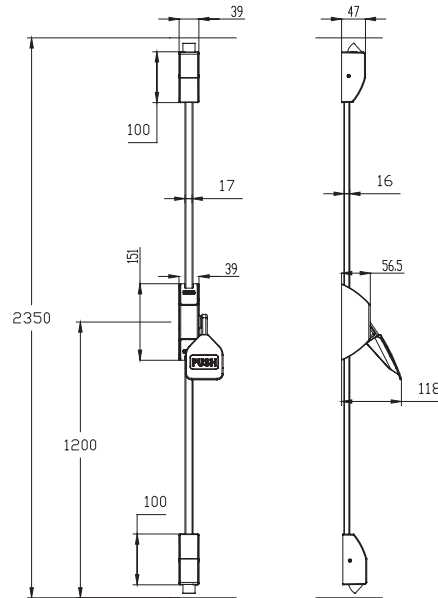
2 points Push-Pad: GLOBALPUL2S

Certification EN 179:

3 7 6 B 1 3 2 2 A A

- » Rim type emergency exit device.
- » Finishes: cover in black and push-pad in green.
Outside device similar to GLOBAL rim panic exit device series.
- » For other finishes, contact the factory.

Model
GLPUL2S008NV



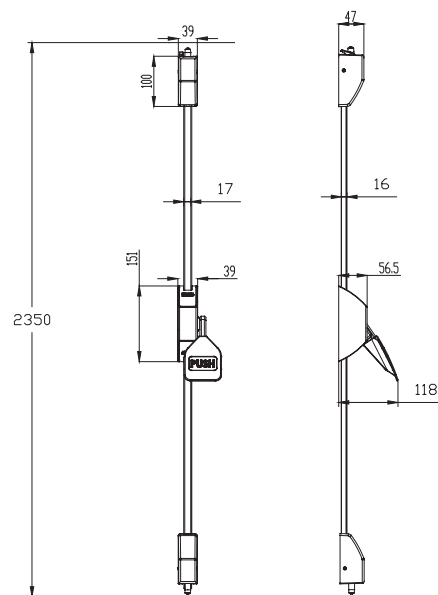
2 points Push-Pad: GLOBALPUL20

Certification EN 179:

3 7 6 B 1 3 2 2 A A

- » Rim type emergency exit device.
- » Finishes: cover in black and push-pad in green.
Outside device similar to GLOBAL rim panic exit device series.
- » For other finishes, contact the factory.

Model
GLPUL20008NV



H

Emergency exit devices

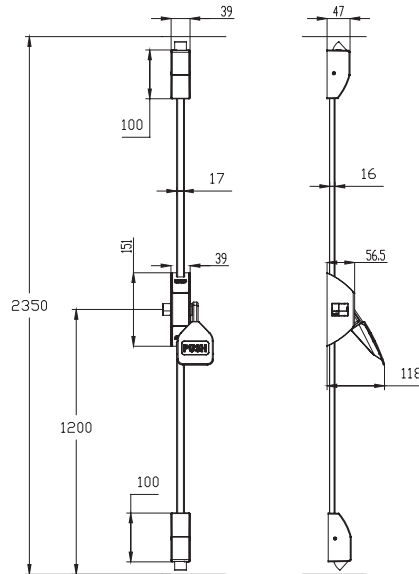
3 points Push-Pad: GLOBALPUL3S

Certification EN 179:

3 7 6 B 1 3 2 2 A A

- » Rim type emergency exit device.
- » Finishes: cover in black and push-pad in green. Outside device similar to GLOBAL rim panic exit device series.
- » For other finishes, contact the factory.

Model
GLPUL3S008NV

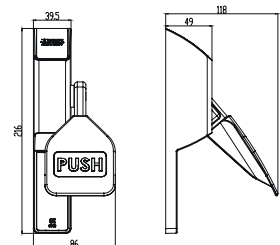


Mortice type push pad

1 point Push-Pad: GLOBALPUL1E

- » Mortice type emergency exit device.
- » Finishes: cover in black and push-pad in green.
- » Outside device similar to GLOBAL mortice panic exit device series.
- » For other finishes, contact the factory.

Model	Field of application
	for CF60 - CF32
GLPUL1E009NV	for 2035T - 2037F - 4039T 2230BA - 2240PA



Outside device for GLOBAL series

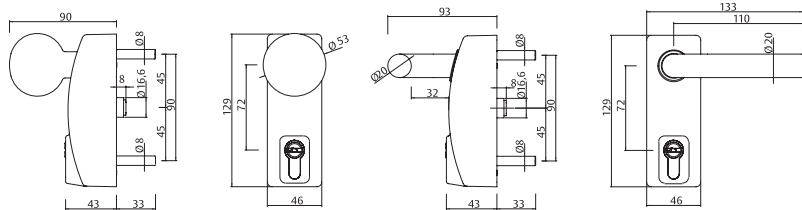
Outside devices. Rim models (GLPUL1S, GLPUL2S, GLPUL20, GLPUL3S y GLPUL3L)

Modular lever handle



8 mm follower
30 x 10 cylinder with r=15 mm available with all systems.

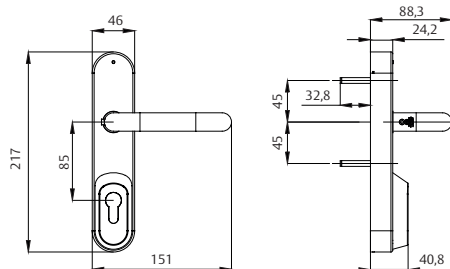
Outside device	Cylinder	Product code
Modular lever handle black RAL 9005	--	MMODMPSCNE
Modular lever handle silver RAL 9006	--	MMODMPSCGR
Modular lever handle nickel plated	--	MMODMPSSAT
Modular lever handle with euro-profile black RAL 9005	TE-5	MMODMBT5NE
Modular lever handle with euro-profile silver RAL 9006	TE-5	MMODMBT5GR
Modular lever handle with euro-profile nickel plated	TE-5	MMODMBT5AT
Modular lever handle with euro-profile black RAL 9005	--	MMODMBSCNE
Modular lever handle with euro-profile silver RAL 9006	--	MMODMBSCGR
Modular lever handle with euro-profile nickel plated	--	MMODMBSSAT
Modular swing pull knob with euro-profile black RAL 9005	TE-5	MMODPBT5NE
Modular swing pull knob with euro-profile silver RAL 9006	TE-5	MMODPBT5GR
Modular swing pull knob with euro-profile nickel plated	TE-5	MMODPBT5AT
Modular swing pull knob with euro-profile black RAL 9005	--	MMODPBSCNE
Modular swing pull knob with euro-profile silver RAL 9006	--	MMODPBSCGR
Modular swing pull knob with euro-profile nickel plated	--	MMODPBSSAT



Modular lever handle Sena Stainless steel

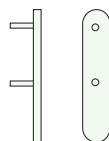


Outside device	Cylinder	Product code
Modular lever handle Sena Stainless steel	--	MANGLOBSCIL16
Modular lever handle Sena Stainless steel	TE-5	MANGLOBT5IL16



Blind plate

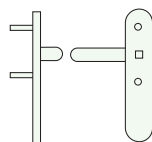
In the installations where no outside trim is going to be used, it is recommended to install a blind plate.



Outside device	Product code
Blind plate, black RAL 9005	E1910EXNE
Inox blind plate	E1910EXIS16

Blind plate lever handle

In those cases where cylinder is no needed, it can be used a blind lever handle.



Outside device	Product code
Blind handle, black RAL 9005	SI1913EXNE
Inox blind handle	SI1913EXIS16



Outside device for GLOBAL series

Outside device for mortice models (GLPUL1E)

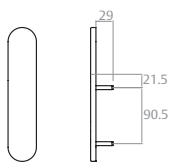
For CF60 series lock



8 mm follower

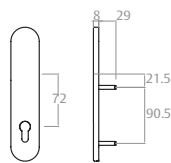
Outside device	Product code
Blind plate, black RAL 9005	EDF90EXNE
Blind plate, inox	EDF90EXIS16
Euro-profile plate, black RAL 9005	EDF91EXNE
Euro-profile plate, inox	EDF91EXIS16
Sena Lever handle + euro-profile, black RAL 9005	SIDF92EXNE
Sena Lever handle euro-profile, inox	SIDF92EXIS16
Sena handle blind plate, black RAL 9005	SIDF93EXNE
Sena handle blind, inox	SIDF93EXIS16
Pull knob, black RAL 9005	TTF72UNE
Pull knob, inox	TTF72UIS16

Blind plate



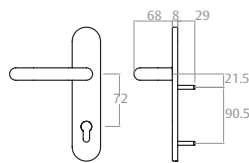
EDF90EX

Key



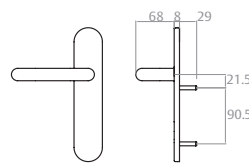
EDF91EX

Lever handle + key



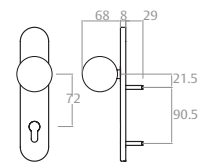
SIDF92EX

Lever handle



SIDF93EX

Pull knob



TTF72U

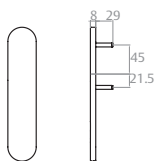
For 2035T, 2037F, 4039T, 2230BA and 2240PA series locks



8 mm follower

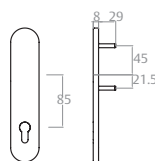
Outside device	Product code
Blind plate, black RAL 9005	EDF30EXNE
Blind plate, inox	EDF30EXIS16
Euro-profile plate, black RAL 9005	EDF31EXNE
Euro-profile plate, inox	EDF31EXIS16
Sena Lever handle + euro-profile, black RAL 9005	SIDF32EXNE
Sena Lever handle euro-profile, inox	SIDF32EXIS16
Sena handle blind plate, black RAL 9005	SIDF33EXNE
Sena handle blind, inox	SIDF33EXIS16
Pull knob, black RAL 9005	TTF85UNE
Pull knob, inox	TTF85UIS16

Blind plate



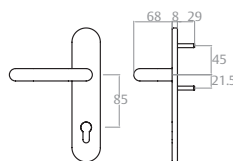
EDF30EX

Key



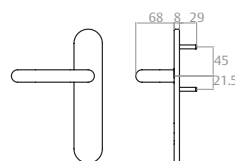
EDF31EX

Lever handle + key



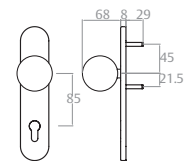
SIDF32EX

Lever handle



SIDF33EX

Pull knob



TTF85U

Compatible with other TESA ASSA ABLOY outside Access devices for CF locks such as MONOBLOC and AISI304 with 9 mm follower as well as with other trims (CUBO, VECTOR, ...) and TRAFFIC systems.



ASSA ABLOY

Talleres de Escoriaza, S.A.U.
Barrio Ventas, 35 • E-20305 Irun • SPAIN
Tel.: +34 943 669 100 • Fax: +34 943 622 189
www.tesa.es

ASSA ABLOY is the global leader in door opening solutions,
dedicated to satisfying end-user needs for security, safety and convenience