

# Locks for narrow stiles

TESA

ASSA ABLOY



# Leading the ironwork lock segment



Among the products that have turned TESA into a global Product code for security are our locks for narrow stiles. Thanks to the tests carried out in the lab, TESA's locks for aluminium profiles present the highest resistance and the highest passive security, plus they easily beat the mark

of 200,000 cycles. Which is why every time you install a TESA lock you are choosing a guaranteed solution for the door, providing it with the maximum security and resistance. Choose TESA for the highest security.

## Why do installers prefer TESA locks?

When it comes to aluminium-profile locks, only one thing is more important for us than creating a top-security product: to make the ironwork installer's job as easy as possible. That's why our locks have been developed with the aim of allowing a quick and simple installation as well as an easy maintenance.

Thanks to this, we have maintained our position as leaders of our segment in Spain, and this is the reason why in 2005 we manufactured in our plants more than 4'5 million locks for wood and aluminium.



## Easier to install, safer and with better protection

The latest models of locks incorporate 15mm-wide cases, thus minimizing the mechanizing of ribs. Also, a new range of escutcheons and strikes has been developed in order to bring higher security and to enable an easier installation of the locks.



## Guaranteed by TESA

To purchase TESA products is a quality guarantee. All our locks have been certified to the highest degree by the ISO 9001 Quality Standard, the ISO 14001 environmental standard, and the Security at Work and Occupational Hazard Prevention standard. For this reason, every time you purchase a TESA product you can be sure you are buying a top-quality product.

## We bring you an integral locking solution

TESA brings you the widest range of products for aluminium stiles, ranging from sliding locks to the latest generation of monopoint and multipoint PREMIUM locks with gear mechanism; from the swinging hook series to the panic exit locks for aluminium profiles.

The great variety of backsets (up to 35mm) and the combinations of latches and bolts, along with a wide range of accessories, provides the user with the right technical solution for every locking problem.



## Guaranteed process

Our R+D department works hard to improve our production processes, offering the market newer and better products that meet the market's increasingly demanding needs.

For the manufacturing of its products, TESA uses stainless steel as the standard material for fronts and strikes. The other components have been protected with a nickel-plating process that ensures the durability of the components in outdoors installations.



# Index



226M series



2230PE series



2230PA panic series



2240 aut. series



2230 series



2240BE series



2210BE series



2210E series



Gate electric lock



Adjustable strikes



2240BA panic series



Adjustable strikes



Escutcheons

# Index

## Contents

<b>Single point automatic lock</b>	<b>6</b>	<b>Electric strikes for thermal brake</b>	
2240 AUT Series	6	<b>narrow stiles</b>	<b>27</b>
<b>Multipoint automatic lock</b>	<b>7</b>	Short frontplate	27
226A Series	7	Large frontplate	27
<b>Multipoint motorized lock</b>	<b>8</b>	<b>Regulable strikes</b>	<b>29</b>
226M Series	8	CRN Series	29
<b>Multipoint lock</b>	<b>9</b>	CRE Series	29
2230PE Series	9	C22 Series	30
2230LE Series	10	T21G Series	30
2230P Series	11	<b>Strike guides</b>	<b>31</b>
2230L Series	12	Premium Series	31
<b>Swinging bolt multipoint lock</b>	<b>13</b>	Swinging narrow Series	31
2230 Series	13	Swinging Series	32
<b>Narrow case single point hook lock</b>	<b>14</b>	Sliding Series	32
2240BE Series	14	<b>Especial strikes</b>	<b>37</b>
<b>Single point hook lock</b>	<b>15</b>	T21 / T30 / U29 / U30 Series	37
2240 Series	15	<b>Escutcheons</b>	<b>34</b>
<b>Narrow case single point swinging lock</b>	<b>16</b>	High security E240 escutcheon	34
2210BE Series	16	E205 escutcheon	34
<b>Single point swinging lock</b>	<b>17</b>	E210 security escutcheon	34
2210 Series	17	E190 escutcheon	34
<b>Narrow case single point sliding lock</b>	<b>18</b>	<b>Accessories</b>	<b>35</b>
2210E Series	18	Floor strike	35
<b>Single point lock</b>	<b>19</b>	Reduction square sleeves	35
2210 Series	19	Locking points	35
2200 Series	20		
2220 Series	21		
<b>Panick lock</b>	<b>22</b>		
2240BA Series	22		
2230PA Series	23		
<b>Portal electric operated lock</b>	<b>24</b>		
Serie TCP	24		
<b>Electric standard strikes</b>	<b>25</b>		
Short frontplate	25		
Large frontplate. Wooden doors	25		
Large frontplate. Metallic doors	26		

# Automatic single point lock

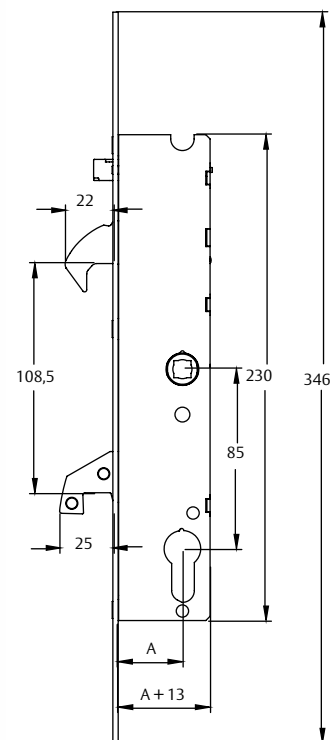
## Automatic hook + reinforced hook

### 2240 AUT Series

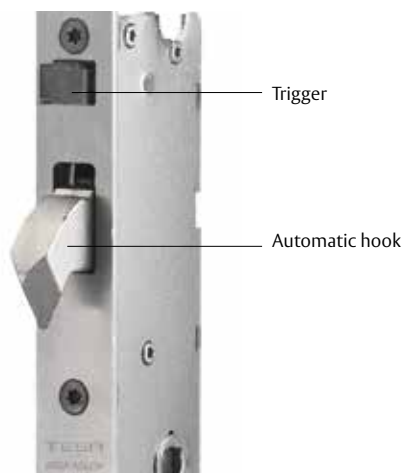
#### Automatic locking system

- » Stainless steel frontplate and strike plate.
- » Backset 30.
- » Distance between axes 85mm.
- » Maximum distance between hook and strike plate 5mm.

Backset	Product code	CYL	STR	ESC
30	4240AUT305NI		•	



#### Detail of the automatic hook



# Automatic multipoint lock

## 3 automatic hooks + reinforced hook

### 226A Series

#### Security and comfort

- When the triggers are activated, the security hooks are projected automatically
- The door will always remain locked – no need to key-lock.
- The three locking points can be removed by the cylinder or the handle.

#### Double security system

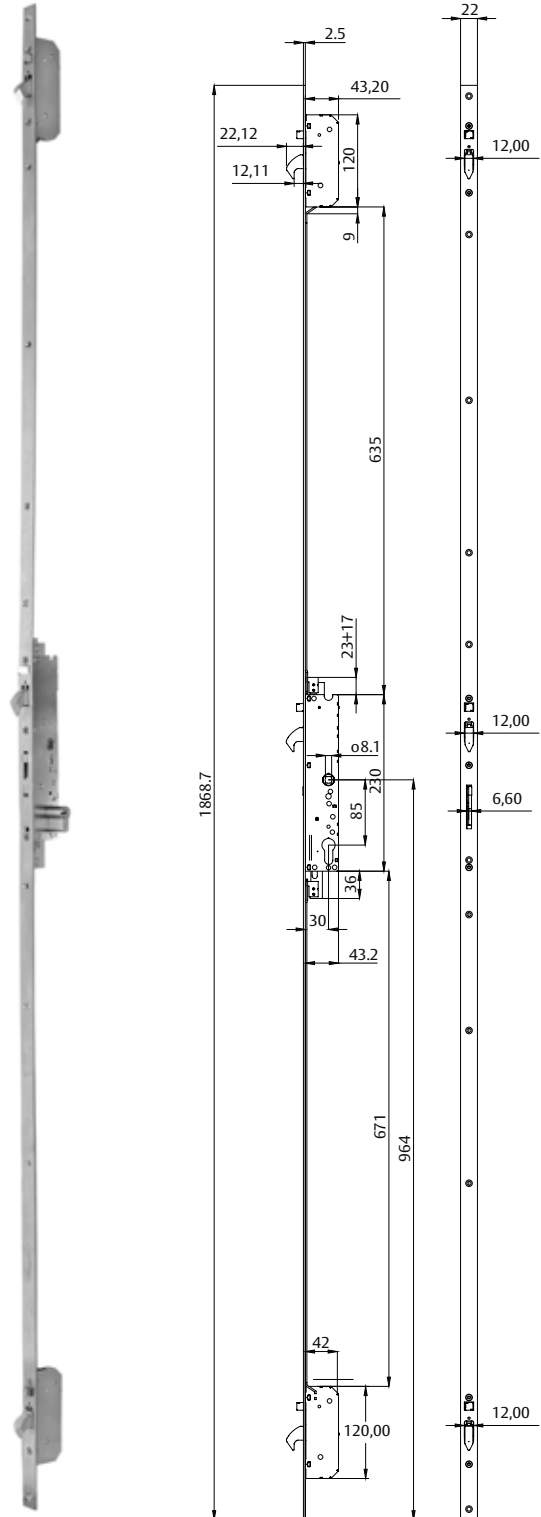
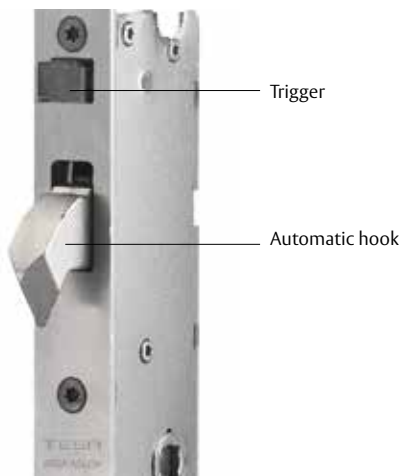
- Reinforced security hook on which it is only possible to operate with the cylinder.

#### Features

- Stainless steel front and strike
- 15mm-cam European cylinder
- Inlet: 30mm
- Maximum distance between leaf and frame: 5mm

Backset	Product code	CYL	STR	ESC
30	426A305AI		•	

#### Detail of the automatic hook



# Motorized multipoint lock

## 3 automatic hooks + reinforced hook



### 226M Series

#### Security and comfort

- When the triggers are activated, the security hooks are projected automatically
- The door will always remain locked – no need to key-lock.
- The three locking points can be removed by the cylinder or the handle.

#### Motorized

- It removes the three locking points after receiving the signal.

#### Double security system

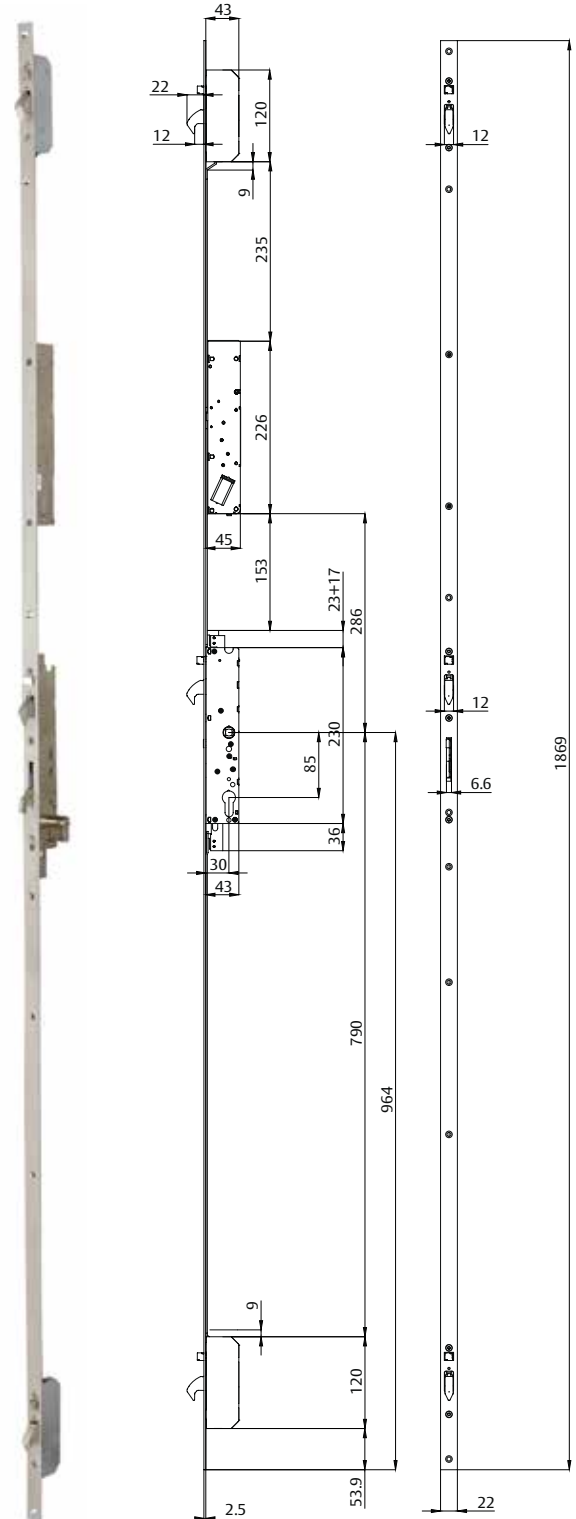
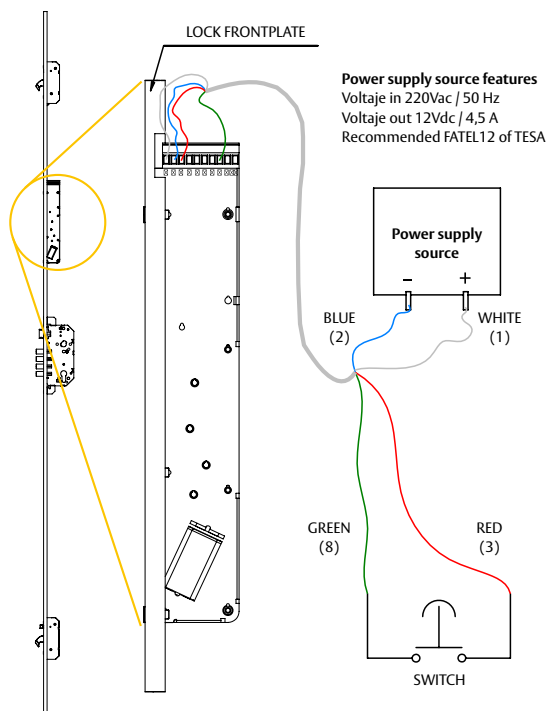
- Reinforced security hook on which it is only possible to operate with the cylinder.

#### Features

- Stainless steel front and strike
- 15mm-cam European cylinder
- Backset: 30mm
- Maximum distance between leaf and frame: 5mm
- Power supply: 12VDC
- Max. consumption: 550mA

Backset	Product code	CYL	STR	ESC
30	426M305AI		•	

#### Connection scheme





# Multipoint lock

## 3 locking points - reinforced hook



### 2230PE Series

#### Features:

- » 3 locking points, two swinging bolts + reinforced hook. Designed for guiding the locking.
- » New reversible latch. Adjustable.
- » The cases, with 15mm of wide, reduce the aluminium mechanization. Prepared for thermal brake narrow stiles.
- » Flat profile face plate, length of 2030mm.
- » Face plate and strike plates made in stainless steel.
- » E210 security escutcheon included.
- » 30 x 40 cylinder.

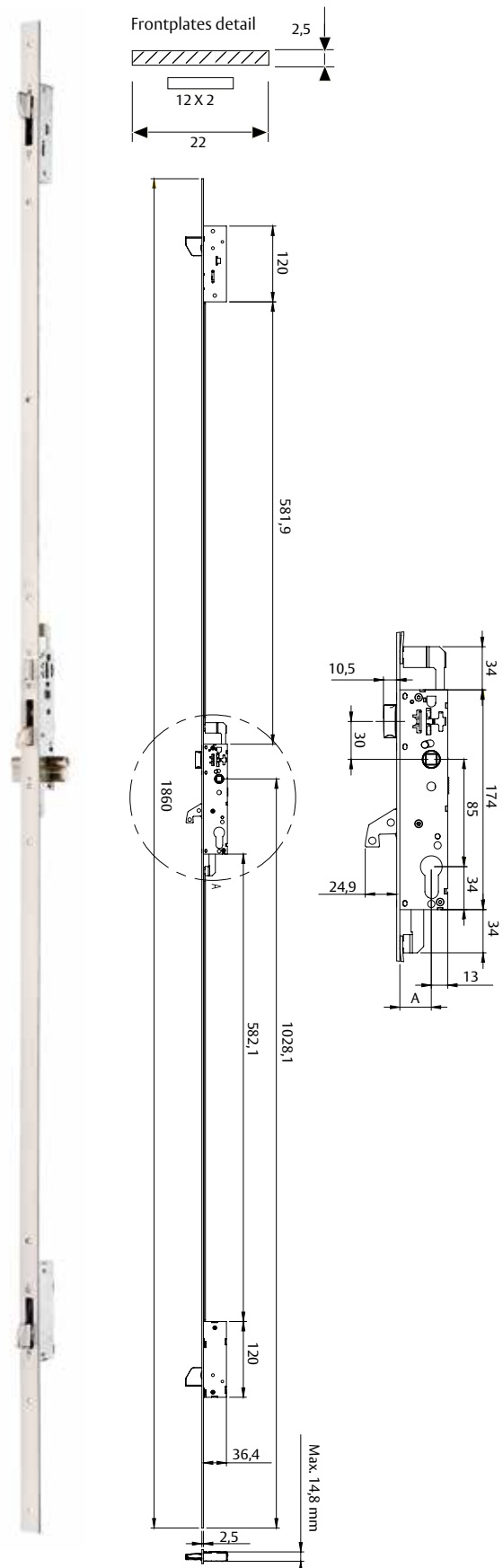
Options				
Backsets	25	30	35	
Cylinder cam	15 mm			
Latch	Narrow	Adjustable		
Face plate	Flat			
Accessories				
Escutcheons	E190	E205	E210	E240
Strikes	C22	T21	Electric	Adjustable

2230PE	Cylinder	Backsets	Product code	CYL	STR.	ESC
	TE-5	25	2230PE253AI	•	A	•
		30	2230PE303AI	•	A	•
		35	2230PE353AI	•	A	•
not included	Cylinder	25	4230PE253AI	A	•	•
		30	4230PE303AI	A	•	•
		35	4230PE353AI	A	•	•

2231PE	Cylinder	Backsets	Product code	CYL	STR.	ESC
	TE-5	25	2231PE253AI	•	A	•
		30	2231PE303AI	•	A	•
		35	2231PE353AI	•	A	•
not included	Cylinder	25	4231PE253AI	A	•	•
		30	4231PE303AI	A	•	•
		35	4231PE353AI	A	•	•

2236PE	Cylinder	Backsets	Product code	CYL	STR.	ESC
	TE-5	25	2236PE253AI	•	B	•
		30	2236PE303AI	•	B	•
		35	2236PE353AI	•	B	•
not included	Cylinder	25	4236PE253AI	B	•	•
		30	4236PE303AI	B	•	•
		35	4236PE353AI	B	•	•

CYL: cylinder TE5 50303040N // ESC: 2units E19000NE escutcheons  
 STR.: stainless steel strikes A = 1 unit C2240BEAI + 2units C2230INOX //  
 B = 1 unit C2246BEAI + 2 units C2230INOX



# Multipoint lock

## 3 locking points - reinforced hook



### 2230LE Series

#### Features:

- » 3 locking points, two swinging bolts + reinforced hook. Designed for guiding the locking.
- » New reversible latch. Adjustable.
- » The cases, with 15mm of wide, reduce the aluminium mechanization. Prepared for thermal brake narrow stiles.
- » "U" type face plate, length of 2030mm.
- » Face plate and strike plates made in stainless steel.
- » E210 security escutcheon

Options				
Backsets	21	26	31	
Cylinder cam	15 mm			
Latch	Narrow	Adjustable		
Face plate	U Type			
Accessories				
Escutcheons	E190	E205	E210	E240
Strikes	C22	T21	Electric	Adjustable

2230LE	Cylinder	Backsets	Product code	CYL	STR.	ESC
	TE-5	21	2230LE213AI	•	A	•
		26	2230LE263AI	•	A	•
		31	2230LE313AI	•	A	•
Cylinder not included		21	4230LE213AI	A	•	•
		26	4230LE263AI	A	•	•
		31	4230LE313AI	A	•	•

2231LE	Cylinder	Backsets	Product code	CYL	STR.	ESC
	TE-5	21	2231LE213AI	•	A	•
		26	2231LE263AI	•	A	•
		31	2231LE313AI	•	A	•
Cylinder not included		21	4231LE213AI	A	•	•
		26	4231LE263AI	A	•	•
		31	4231LE313AI	A	•	•

2236LE	Cylinder	Backsets	Product code	CYL	STR.	ESC
	TE-5	21	2236LE213AI	•	B	•
		26	2236LE263AI	•	B	•
		31	2236LE313AI	•	B	•
Cylinder not included		21	4236LE213AI	B	•	•
		26	4236LE263AI	B	•	•
		31	4236LE313AI	B	•	•

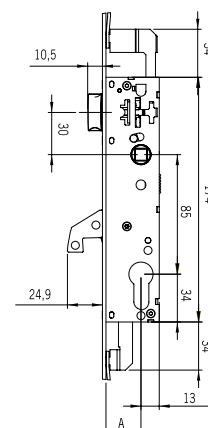
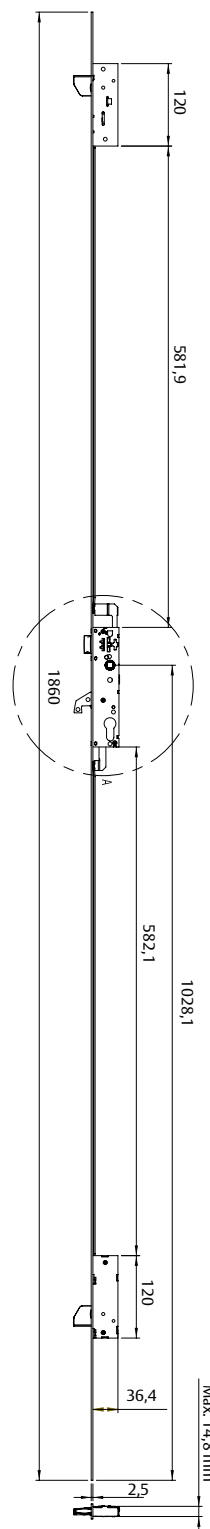
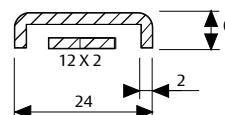
CYL: cylinder TE5 50303040N // ESC: 2units E19000NE escutcheons  
 STR.: stainless steel strikes A = 1 unit C2240BEAI + 2units C2230INOX //  
 B = 1unit C2246BEAI + 2 units C2230INOX

Underline: "Express 5" service.

No underline: 15 working days maximum

10 TESA catalogue | Locks for narrow stiles

Frontplates detail





# Multipoint lock

## 3 locking points - reinforced hook


**NEW**  
Adjustable latchbolt  
as standard


### 2230L Series


#### Features:

- » Adjustable latchbolt as standard
- » Faceplate and strike plates made in stainless steel. 1860 mm length
- » 3 locking points, two swinging bolts + reinforced hook
- » Two E-190 cylinder oval roses included.

Options				
Backsets		21	26	31
Cylinder cam	15 mm			
Latch	Adjustable			
Face plate	Shape U			
Accessories				
Escutcheons	E190	E205	E210	E240
Strikes	C22	T21	Electric	Adjustable

2230L	Cylinder	Backsets	Product code	CYL	STR.	ESC
		21	2230L25NM	•	A	•
	TE-5	26	2230L65NM	•	A	•
		31	2230L35NM	•	A	•
	Cylinder	21	4230L25NM		A	•
	not	26	4230L65NM		A	•
	included	31	4230L35NM		A	•

2231L	Cylinder	Backsets	Product code	CYL	STR.	ESC
		21	2231L25NM	•	A	•
	TE-5	26	2231L65NM	•	A	•
		31	2231L35NM	•	A	•
	Cylinder	21	4231L25NM		A	•
	not	26	4231L65NM		A	•
	included	31	4231L35NM		A	•

2236L	Cylinder	Backsets	Product code	CYL	STR.	ESC
		21	2236L25NM	•	B	•
	TE-5	26	2236L65NM	•	B	•
		31	2236L35NM	•	B	•
	Cylinder	21	4236L25NM		B	•
	not	26	4236L65NM		B	•
	included	31	4236L35NM		B	•

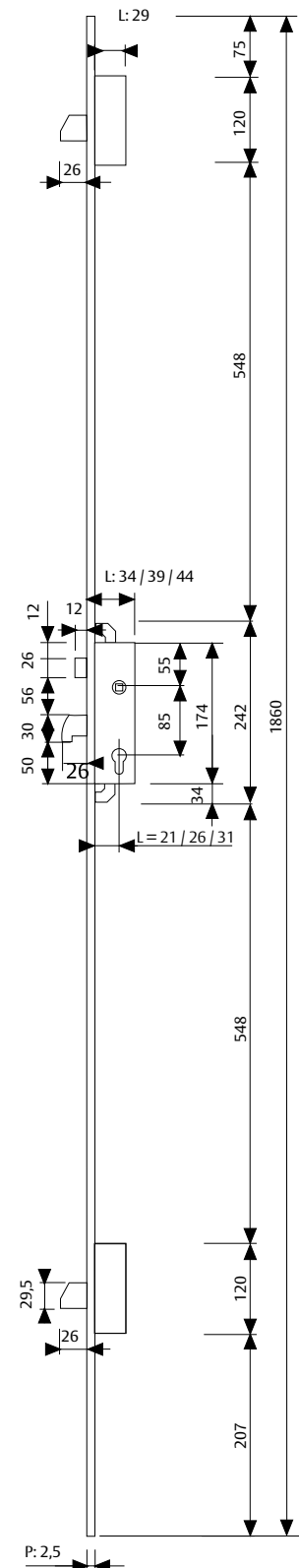
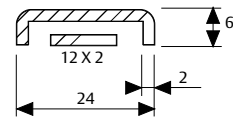
**CIL:** cylinder TE5 50303030N // **ESC:** 1 unit E19000NE escutcheons

**STR.:** stainless steel. **A** = 1 unit C2240INOX + 2 units C2230INOX //

**B** = 1 unit C2246INOX + 2 units C2230INOX



Frontplates detail



# Multipoint lock

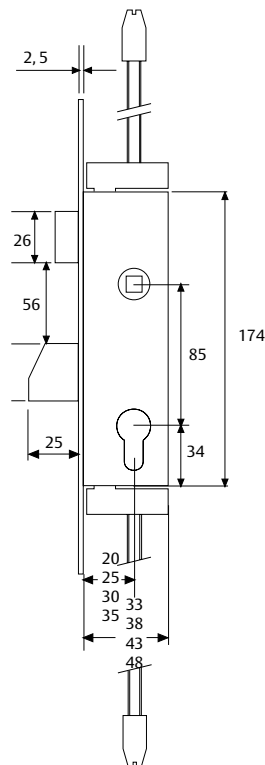
## Swinging bolt + top jamb + floor locking points

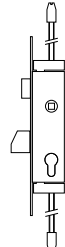
**NEW**  
Adjustable latchbolt  
as standard


### 2230 Series

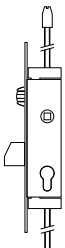
- » Adjustable latchbolt as standard.
- » Face plate and strike plates made in stainless steel.
- » Bolt throw is 25mm. and top-jamb&floor throw is 15mm.
- » Two threaded connecting rods for top-jamb and floor locking by means of M8 threaded bars. The M8 threaded bars are not supplied.
- » Top jamb and floor locking zones can be reinforced with hardened steel locking bolts that have an inner thread to match the M8 bars: PAB2230.

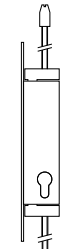
Options				
Backsets	20	25	30	35
Cylinder cam	15 mm			
Latch	Standard			
Accessories				
Escutcheons	E190	E205	E210	E240
Strikes	C22	T21	Electric	Adjustable



2230	Cylinder	Backsets	Product code	CYL	STR.	ESC
		20	2230205NM	•	A	•
	TE-5	25	2230255NM	•	A	•
		30	2230305NM	•	A	•
		35	2230355NM	•	A	•
Cylinder not included	20	4230205NM		A	•	
	25	4230255NM		A	•	
	30	4230305NM		A	•	
		35	4230355NM		A	•

2231	Cylinder	Backsets	Product code	CYL	STR.	ESC
		20	2231205NM	•	A	•
	TE-5	25	2231255NM	•	A	•
		30	2231305NM	•	A	•
		35	2231355NM	•	A	•
Cylinder not included	20	4231205NM		A	•	
	25	4231255NM		A	•	
	30	4231305NM		A	•	
		35	4231355NM		A	•

2236	Cylinder	Backsets	Product code	CYL	STR.	ESC
		20	2236205NM	•	B	•
	TE-5	25	2236255NM	•	B	•
		30	2236305NM	•	B	•
		35	2236355NM	•	B	•
Cylinder not included	20	4236205NM		B	•	
	25	4236255NM		B	•	
	30	4236305NM		B	•	
		35	4236355NM		B	•

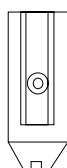
2237	Cylinder	Backsets	Product code	CYL	STR.	ESC
		20	2237205NM	•	•	•
	TE-5	25	2237255NM	•	•	•
		30	2237305NM	•	•	•
		35	2237355NM	•	•	•
Cylinder not included	20	4237205NM		•	•	
	25	4237255NM		•	•	
	30	4237305NM		•	•	
		35	4237355NM		•	•

CYL: cylinder TE5 50303030N // STR.: stainless steel strikes.  
A = 1 unit C2210INOX // B = 1 unit C2216INOX ESC: 1 units E21000NE escutcheons

### Recommended accessories



Floor strike:  
ref. GUARPOHC



Reinforced locking points:  
ref. PAB2230

# Single point lock

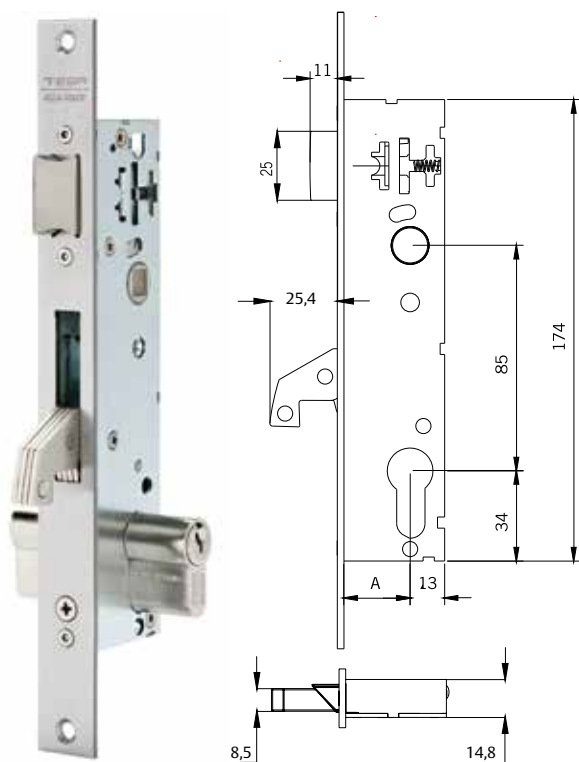
## Swinging hook - narrow case

### 2240BE Series

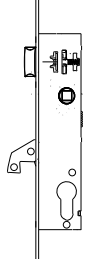
#### Features:

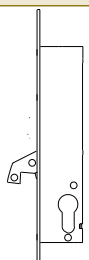
- » Reinforced hook.
- » New reversible latch.
- » The cases, with 15mm of wide, reduce the aluminium mechanization. Prepared for thermal brake narrow stiles.
- » Face plate and strike plates made in stainless steel.
- » E210 security escutcheon.
- » 30 x 40 cylinder.

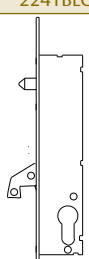
Options				
Backsets	20	25	30	35
Cylinder cam	15 mm			
Latch	Narrow	Adjustable		
Accessories				
Escutcheons	E190	E205	E210	E240
Strikes	C22	T21	Electric	Adjustable

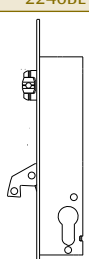


E210 escutcheon details

2240BE	Cylinder	Backset	Product code	CYL	STR.	ESC
	TE-5	20	2240BE203AI	•	A	•
		25	2240BE253AI	•	A	•
		30	2240BE303AI	•	A	•
		35	2240BE353AI	•	A	•
Cylinder not included	not included	20	4240BE203AI		A	•
		25	4240BE253AI		A	•
		30	4240BE303AI		A	•
		35	4240BE353AI		A	•

2241BE	Cylinder	Backset	Product code	CYL	STR.	ESC
	TE-5	20	2241BE203AI	•	A	•
		25	2241BE253AI	•	A	•
		30	2241BE303AI	•	A	•
		35	2241BE353AI	•	A	•
Cylinder not included	not included	20	4241BE203AI		A	•
		25	4241BE253AI		A	•
		30	4241BE303AI		A	•
		35	4241BE353AI		A	•

2241BEC	Cylinder	Backset	Product code	CYL	STR.	ESC
	TE-5	20	2241BEC203AI	•	B	•
		25	2241BEC253AI	•	B	•
		30	2241BEC303AI	•	B	•
		35	2241BEC353AI	•	B	•
Cylinder not included	not included	20	4241BEC203AI		B	•
		25	4241BEC253AI		B	•
		30	4241BEC303AI		B	•
		35	4241BEC353AI		B	•

2246BE	Cylinder	Backset	Product code	CYL	STR.	ESC
	TE-5	20	2246BE203AI	•	C	•
		25	2246BE253AI	•	C	•
		30	2246BE303AI	•	C	•
		35	2246BE353AI	•	C	•
Cylinder not included	not included	20	4246BE203AI		C	•
		25	4246BE253AI		C	•
		30	4246BE303AI		C	•
		35	4246BE353AI		C	•

**CYL:** cylinder TE5 50303040N // **STR.:** stainless steel strike. A = 1unit C2240BEAI // B = 1unit C2241BEAI // C = C2246BEAI // **ESC:** 1unit E21000NE escutcheon

Underline: "Express 5" service.

No underline: 15 working days maximum

# Single point lock

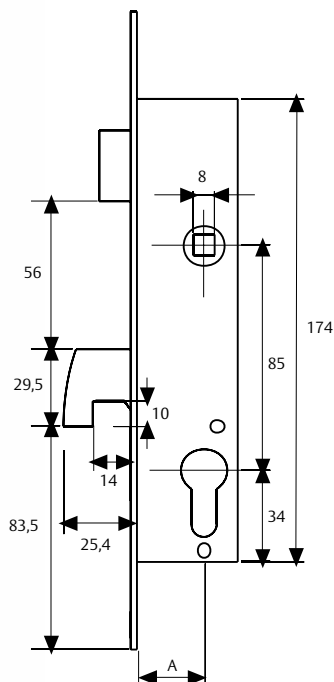
## Swinging hook

**NEW**  
Adjustable latchbolt  
as standard

### 2240 Series

- » Faceplate and strike plate made in stainless steel.
- » Solid steel reinforced hook.
- » Nickel plated latch is reversible and can be retracted by handle or key.
- » Four different functions available, see below.
- » Two E-190 cylinder oval roses included.
- » Antilifting bolt in 2241C model.
- » 30x30 cylinder
- » Adjustable latchbolt as standard.

Options				
Backsets	20	25	30	35
Cylinder cam	15 mm			
Latch	Standard			
Accessories				
Escutcheon	E190	E205	E210	E240
Strikes	C22	T21	Electric	Adjustable



E190 escutcheon details

2240	Cylinder	Backsets	Product code	CYL	STR.	ESC
TE-5		20	2240205SI	•	A	•
		25	2240255SI	•	A	•
		30	2240305SI	•	A	•
		35	2240355SI	•	A	•
Cylinder not included		20	4240205SI		A	•
		25	4240255SI		A	•
		30	4240305SI		A	•
		35	4240355SI		A	•

2241	Cylinder	Backsets	Product code	CYL	STR.	ESC
TE-5		20	2241205SI	•	A	•
		25	2241255SI	•	A	•
		30	2241305SI	•	A	•
		35	2241355SI	•	A	•
Cylinder not included		20	4241205SI		A	•
		25	4241255SI		A	•
		30	4241305SI		A	•
		35	4241355SI		A	•

2241C	Cylinder	Backsets	Product code	CYL	STR.	ESC
TE-5		20	2241C205SI	•	B	•
		25	2241C255SI	•	B	•
		30	2241C305SI	•	B	•
		35	2241C355SI	•	B	•
Cylinder not included		20	4241C205SI		B	•
		25	4241C255SI		B	•
		30	4241C305SI		B	•
		35	4241C355SI		B	•

2246	Cylinder	Backsets	Product code	CYL	STR.	ESC
TE-5		20	2246205SI	•	C	•
		25	2246255SI	•	C	•
		30	2246305SI	•	C	•
		35	2246355SI	•	C	•
Cylinder not included		20	4246205SI		C	•
		25	4246255SI		C	•
		30	4246305SI		C	•
		35	4246355SI		C	•

**CYL:** cylinder TE5 50303030N // **STR.:** stainless steel strike.  
A = 1 unit C2240INOX // B = 1 unit C2241CNOX // C = C2246INOX // **ESC:**  
2 units E19000NE escutcheon

# Single point lock

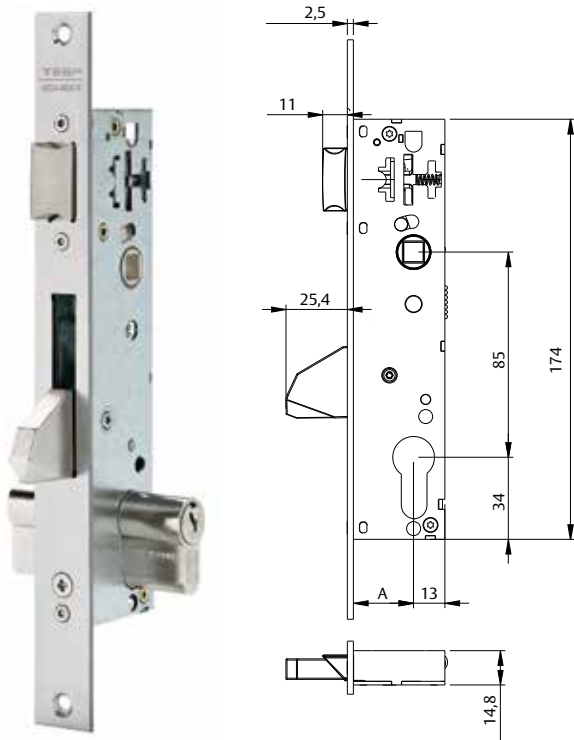
## Swinging deadbolt - narrow case

### 2210BE Series

#### Features:

- » Swinging deadbolt
- » New reversible latch.
- » The cases, with 15mm of wide, reduce the aluminium mechanization.
- » Face plate and strike plates made in stainless steel.
- » Two E-190 cylinder oval roses included.
- » 30 x 40 cylinder.

Options				
Backsets	20	25	30	35
Cylinder cam	15 mm			
Latch	Narrow	Adjustable		
Accessories				
Escutcheon	E190	E205	E210	E240
Strikes	C22	T21	Electric	Adjustable



E210 escutcheon details

Remarked: "Express 5" service.

Non remarked: 15 working days maximum.

Model	Cylinder	Backsets	Product code	CYL	STR.	ESC
2210BE	TE-5	20	2210BE203AI	•	A	•
		25	2210BE253AI	•	A	•
		30	2210BE303AI	•	A	•
	Cylinder not included	20	4210BE203AI		A	•
		25	4210BE253AI		A	•
		30	4210BE303AI		A	•
2211BE	TE-5	20	2211BE203AI	•	A	•
		25	2211BE253AI	•	A	•
		30	2211BE303AI	•	A	•
	Cylinder not included	20	4211BE203AI		A	•
		25	4211BE253AI		A	•
		30	4211BE303AI		A	•
2214BE	Cylinder not included	20	2214BE20AI	•	A	
		25	2214BE25AI	•	A	
		30	2214BE30AI	•	A	
		35	2214BE35AI	•	A	
2215BE	Cylinder not included	20	2215BE20AI	•	A	
		25	2215BE25AI	•	A	
		30	2215BE30AI	•	A	
		35	2215BE35AI	•	A	
2216BE	TE-5	20	2216BE203AI	•	B	•
		25	2216BE253AI	•	B	•
		30	2216BE303AI	•	B	•
	Cylinder not included	20	4216BE203AI		B	•
		25	4216BE253AI		B	•
		30	4216BE303AI		B	•
2218BE	Cilindro no incluido	20	2218BE20AI	•	B	
2219BE	TE-5	20	2219BE203AI	1	•	
		25	2219BE253AI	1	•	
		30	2219BE303AI	1	•	
	Cylinder not included	20	4219BE203AI		•	
		25	4219BE253AI		•	
		30	4219BE303AI		•	

CYL: cylinder TE5 50303040N // 1: 50304010N // STR.: stainless steel strikes  
A = C2210BEAI // B = C2216BEAI // ESC: 1units E21000NE escutcheon



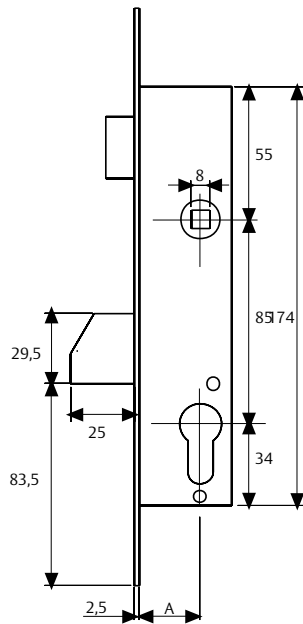
# Single point lock Swinging deadbolt

**NEW**  
Adjustable latchbolt  
as standard

## 2210 Series

- » Faceplate and strike plate made in stainless steel.
- » Nickel plated steel bolt with reinforced swinging mechanism.  
Bolt throw: 25mm.
- » Seven different functions available, see below.
- » Two E-190 cylinder oval roses included.
- » There is a complete range of special strikes for the existing types of aluminium stiles in the market.
- » Adjustable latchbolt as standard.
- » 30x30 cylinder.

Options				
Backsets	20	25	30	35
Cylinder cam	15 mm			
Latch	Standar			
Accessories				
Escutcheon	E190	E205	E210	E240
Strikes	C22	T21	Electric	Adjustable



E210 escutcheon details

2210	Cylinder	Backsets	Product code	CYL	STR.	ESC	
	TE-5	20	2210203AI	•	A	•	
		25	2210253AI	•	A	•	
		30	2210303AI	•	A	•	
		35	2210353AI	•	A	•	
	Cylinder not included	20	4210203AI		A	•	
		25	4210253AI		A	•	
		30	4210303AI			•	
			35	4210353AI			•
	2211	Cylinder	Backsets	Product code	CYL	STR.	ESC
		TE-5	20	2211203AI	•	A	•
25			2211253AI	•	A	•	
30			2211303AI	•	A	•	
35			2211353AI	•	A	•	
Cylinder not included		20	4211203AI		A	•	
		25	4211253AI		A	•	
		30	4211303AI			•	
			35	4211353AI			•
2214		Cylinder	Backsets	Product code	CYL	STR.	ESC
		Cylinder not included	20	2214200AI	•	A	
	25		2214250AI	•	A		
	30		2214300AI	•	A		
	35		2214350AI	•	A		
2215	Cylinder	Backsets	Product code	CYL	STR.	ESC	
	Cylinder not included	20	221520AI	•	A		
		25	221525AI	•	A		
		30	221530AI	•	A		
		35	221535AI	•	A		
2216	Cylinder	Backsets	Product code	CYL	STR.	ESC	
	TE-5	20	2216203AI	•	B	•	
		25	2216253AI	•	B	•	
		30	2216303AI	•	B	•	
		35	2216353AI	•	B	•	
	Cylinder not included	20	4216203AI		B	•	
		25	4216253AI		B	•	
		30	4216303AI			•	
			35	4216353AI			•
	2218	Cylinder	Backsets	Product code	CIL	CER	ESC
		Cylinder not included	20	2218200AI	•	B	
2219	Cylinder	Backsets	Referencia	CIL	CER	ESC	
	TE-5	20	2219203AI	1		•	
		25	2219253AI	1		•	
		30	2219303AI	1		•	
		35	2219353AI	1		•	
	Cylinder not included	20	4219203AI				•
		25	4219253AI				•
		30	4219303AI				•
			35	4219353AI			•

CYL: cylinder TE5 50303030N // 1: 50303010N // STR.: stainless steel strike  
A = C2210INOX // B = C2216INOX // ESC: 2 units E19000NE escutcheons

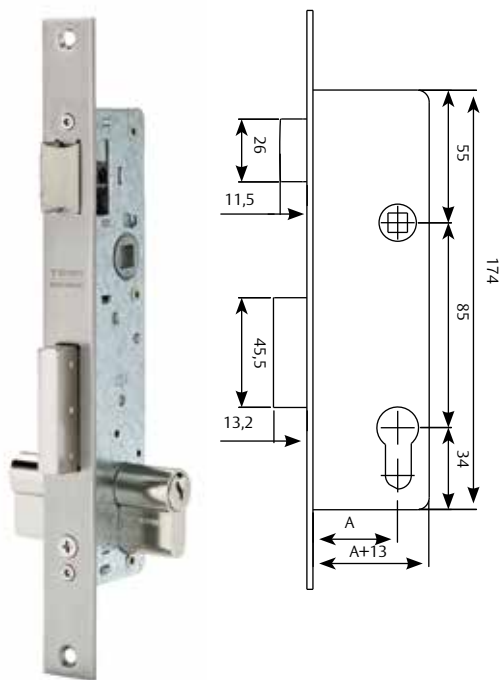
# Single point lock

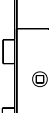
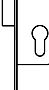
## Sliding deadbolt - narrow case

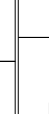

### 2210E Series

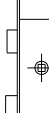
- » The cases, with 15mm of wide, reduce the aluminium mechanization.
- » Faceplate and strike plate made in stainless steel.
- » Nickel plated latch is reversible and can be retracted by handle or key.
- » Galvanised steel lock case.
- » Two anodised aluminium roses included.
- » The standard stainless steel strike is supplied with the lock.


2210E			
Backsets	20	25	30
Cylinder cam	13 mm		
Latch	Narrow	Adjustable	
Accessories			
Escutcheon	E190	E205	
Strikes	C22	Electric	

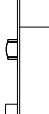
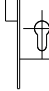


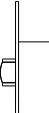
2210E	Cylinder	Backsets	Product code	CYL	STR.	ESC
	TE-5	20	2210E203AI	•	A	•
		25	2210E253AI	•	A	•
		30	2210E303AI	•	A	•
		35	2210E353AI	•	A	•
	Cylinder not included	20	4210E203AI		A	•
		25	4210E253AI		A	•
		30	4210E303AI			•
		35	4210E353AI			•

2211E	Cylinder	Backsets	Product code	CYL	STR.	ESC
	TE-5	20	2211E203AI	•	B	•
		25	2211E253AI	•	B	•
		30	2211E303AI	•	B	•
		35	2211E353AI	•	B	•
	Cylinder not included	20	4211E203AI		B	•
		25	4211E253AI		B	•
		30	4211E303AI			•
		35	4211E353AI			•

2214E	Cylinder	Backsets	Product code	CYL	STR.	ESC
	Cylinder not included	20	2214E203AI	•	A	
		25	2214E253AI	•	A	
		30	2214E303AI	•	A	
		35	2214E353AI	•	A	

2215E	Cylinder	Backsets	Product code	CYL	STR.	ESC
	Cylinder not included	20	2215E203AI	•	C	
		25	2215E253AI	•	C	
		30	2215E303AI	•	C	
		35	2215E353AI	•	C	

2216E	Cylinder	Backsets	Product code	CYL	STR.	ESC
	TE-5	20	2216E203AI	•	A	•
		25	2216E253AI	•	A	•
		30	2216E303AI	•	A	•
		35	2216E353AI	•	A	•
	Cylinder not included	20	4216E203AI		A	•
		25	4216E253AI		A	•
		30	4216E303AI			•
		35	4216E353AI			•

2218E	Cylinder	Backsets	Product code	CYL	STR.	ESC
	Cylinder not included	20	2218E200AI	•	D	

**CYL:** cilinder TE5 52003030N // **CER:** stainless steel strike **A**= C2210ENOX // **B**= C2230XNOX // **C**= C2215ENOX // **D**= C2218ENOX // **ESC:** 2 units 44200NE escutcheons

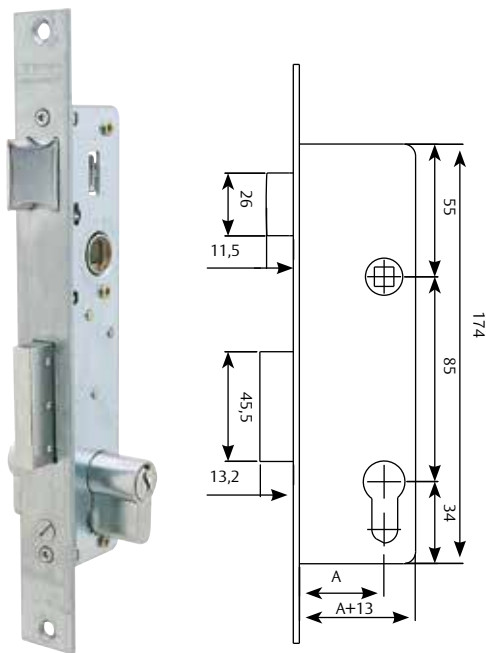
# Single point lock

## Sliding deadbolt

### 2210 Series

- » Faceplate and strike plate made in stainless steel.
- » Nickel plated steel deadbolt.
- » Nickel plated latch is reversible and can be retracted by handle or key.
- » Galvanised steel lock case.
- » Two anodised aluminium roses included .
- » The standard stainless steel strike is supplied with the lock.

2210D		
Backsets	20	25
Cylinder cam	13 mm	
Latch	Standard	
Accessories		
Escutcheon	E190	E205
Strikes	C22	Electric



2210	Cylinder	Backsets	Product code	CYL	STR.	ESC	
	TE-5	20	221028AI	•	A	•	
		20	221028SSI	•			
		25	221038AI	•	A	•	
	Cylinder not included	25	221038SSI	•			
		20	421028AI		A	•	
		20	421028SSI				
	TE-5	20	221120AI	•	B	•	
		25	221125AI	•	B	•	
	Cylinder not included	20	421120AI		B	•	
		25	421125AI		B	•	
		Cylinder not included	20	221428AI	•	A	
			25				
	Cylinder not included	20	221528AI	•	D		
		25					
	TE-5	20	221620AI	•	C	•	
		25	221625AI	•	C	•	
	Cylinder not included	20	421620AI		C	•	
		25	421625AI		C	•	
	Cylinder not included	20	221820AI	•	E		
		25					

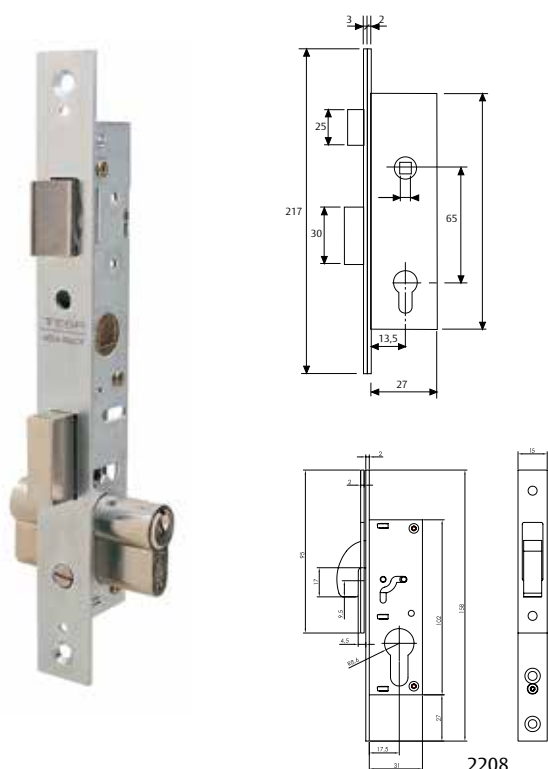
CYL: cylinder TE5 52003030N // STR.: stainless steel strike A = C2210DNOX // B = C2211DNOX // C = C2216DNOX // D = C2215DNOX // E = C2218DNOX  
 ESC: 2 units 44200NE escutcheons

# Single point lock

## Sliding deadbolt

### 2200 Series

- » Galvanised faceplate plus an anodised aluminium faceplate supplement.
- » Latchbolt, deadbolt and cylinder are nickel-plated.
- » Latchbolt is reversible.
- » Distance between centres: 65mm.
- » Two anodised aluminium roses included
- » There is no strike plate supplied.



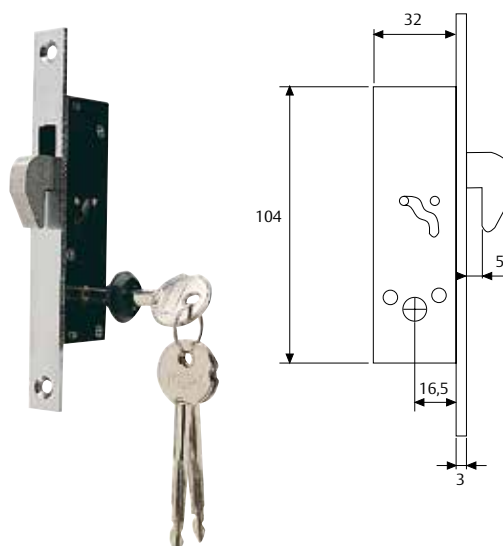
2200	Cylinder	Backsets	Product code	CYL	STR.	ESC
	TE-5	13,5	220015HZ	•		
	Cylinder not included	13,5	420015HZ			
2201	Cylinder	Backsets	Product code	CYL	STR.	ESC
	TE-5	13,5	220115HZ	•		
	Cylinder not included	13,5	420115HZ			
2204	Cylinder	Backsets	Product code	CYL	STR.	ESC
	Cylinder not included	15	220415NM			
2206	Cylinder	Backsets	Product code	CYL	STR.	ESC
	TE-5	13,5	220615HZ	•		
	Cylinder not included	13,5	420615HZ			
2208	Cylinder	Backsets	Product code	CYL	STR.	ESC
	TE-5	17,5	220815AI	•		

CYL: cylinder TE5 52003030L

### 2270 Series

- The multipurpose lock for sliding doors and windows.
- » The hook is specially designed for sliding doors.
  - » Backset is 16,5 mm.
  - » Cross key type cylinder. Locks are supplied with three keys.
  - » Strike plate and a pair of key-guide plastic roses are standard equipment.
  - » Nickel plated faceplate, strike plate and hook.

2270	Cylinder	Backsets	Product code	CYL	STR.	ESC
	Cross key	16	227016NM	•	•	•

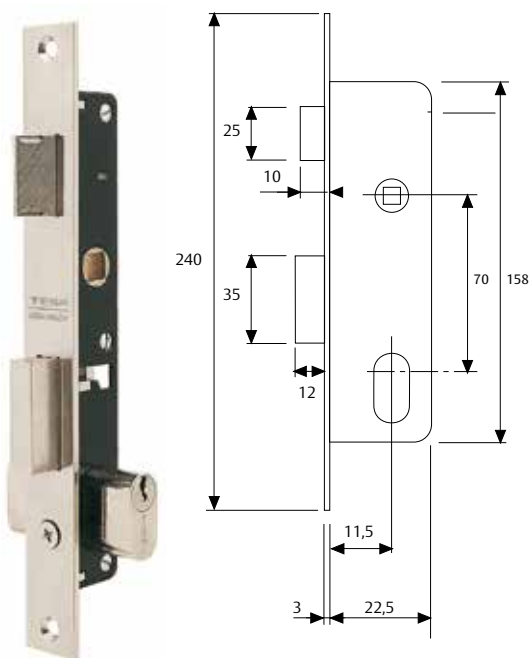


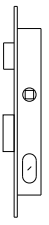
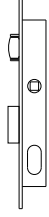
# Single point lock

## 11,5 mm backset lock

### 2220 Series

- » Nickel plated faceplate, latchbolt, deadbolt and cylinder.
- » Latchbolt is reversible.
- » Oval cylinder cam has 10,7mm. radius to prevent interference with the stile bottom
- » Distance between centres: 70mm.
- » Strike and roses are not supplied.



2220	Cylinder	Backsets	Product code	CYL	STR.	ESC	
	Oval	11,5	222012NM	•			
2226	Cylinder	Backsets	Product code	CYL	STR.	ESC	
	Oval	11,5	222612NM	•			

CIL: cilindro TE5 522060LN



# Locks with panic function

## Single leaf doors

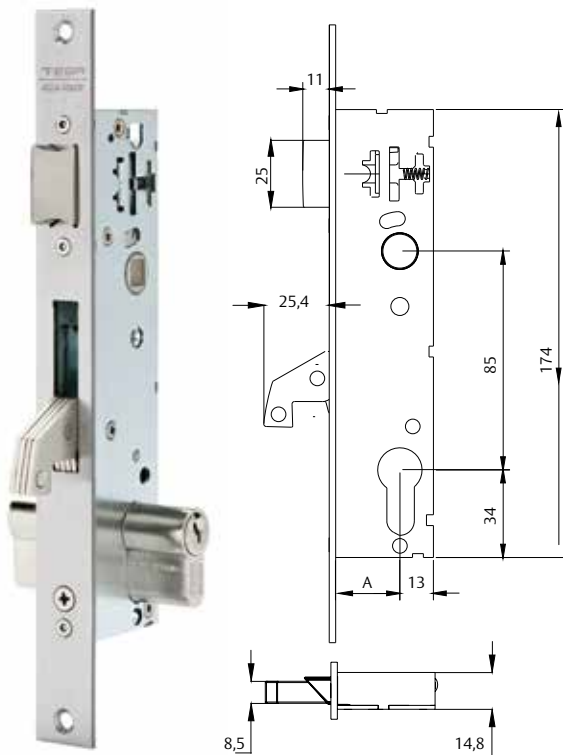


### 2240BA Series

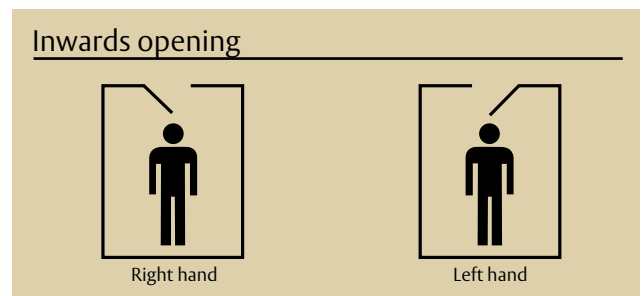
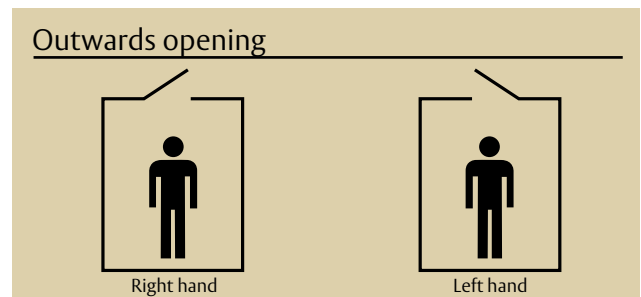
- » Lock with panic function, applicable with panic bars
- » Certified according with EN 1125
- » The cases, with 15mm of wide, reduce the aluminium mechanization.

#### Features:

- » Panic B function, split follower
- » Reinforced hook.
- » Face plate and strike plates made in stainless steel.
- » Available Backsets 30 and 35.
- » Install with 0° cam cylinder.



Backsets	Opening	Hand	Product code
30	Outwards	R	4240BA30ED5AI
30	Outwards	L	4240BA30EI5AI
30	Inwards	R	4240BA30ID5AI
30	Inwards	L	4240BA30II5AI
Backsets	Opening	Hand	Product code
35	Outwards	R	4240BA35ED5AI
35	Outwards	L	4240BA35EI5AI
35	Inwards	R	4240BA35ID5AI
35	Inwards	L	4240BA35II5AI



#### PANIC B:

- » Split follower.
- » The interior handle unlocks the latch and the deadbolt
- » The exterior handle unlocks the latch



# Locks with panic function

## Single leaf doors



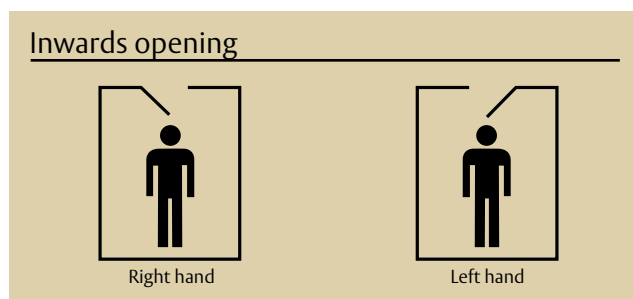
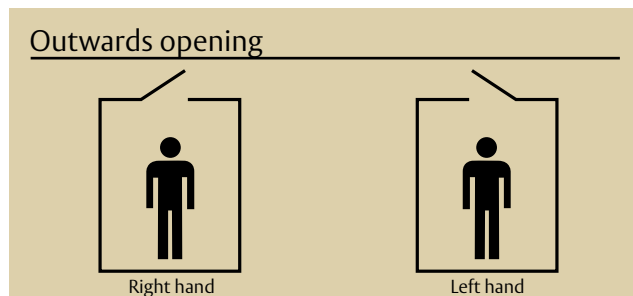
### 2230PA Series

- » Lock with panic function, applicable with panic bars
- » Certified according with EN 1125
- » The cases, with 15mm of wide, reduce the aluminium mechanization.

#### Features:

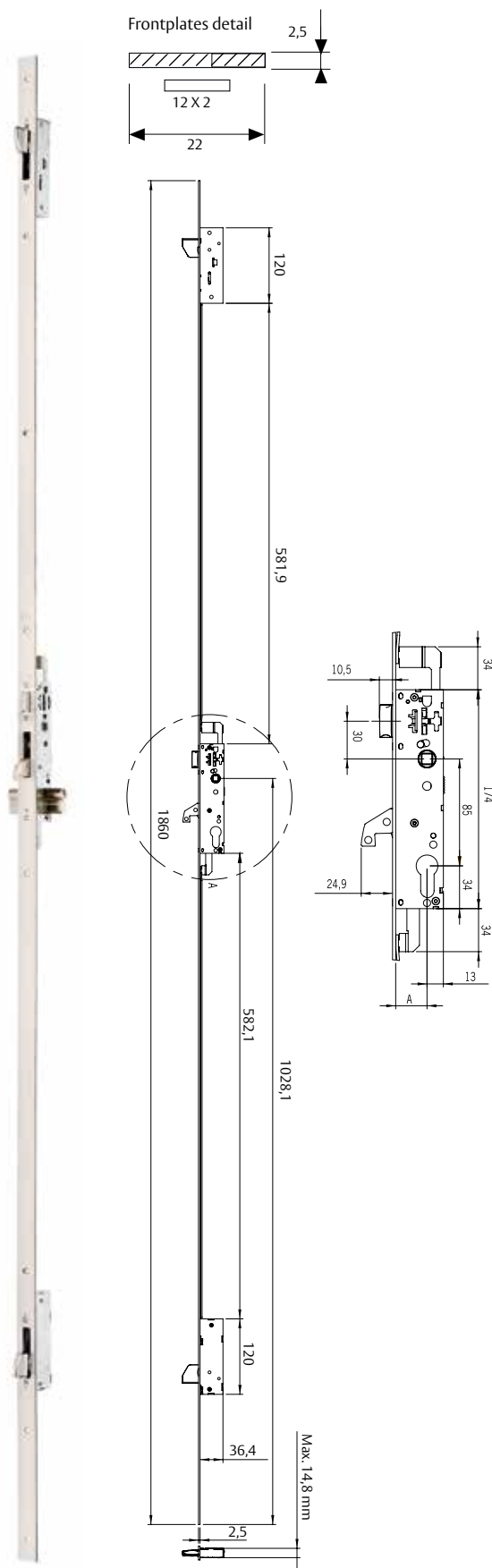
- » Panic B function, split follower
- » 3 locking points, two swinging bolts + reinforced hook.
- » Flat profile face plate, length of 2030mm.
- » Face plate and strike plates made in stainless steel.
- » Available Backsets 30 and 35.
- » Install with 0° cam cylinder.

Backsets	Opening	Hand	Product code
30	Outwards	R	4230PA30ED5AI
30	Outwards	L	4230PA30EI5AI
30	Inwards	R	4230PA30ID5AI
30	Inwards	L	4230PA30II5AI
Backsets	Opening	Hand	Product code
35	Outwards	R	4230PA35ED5AI
35	Outwards	L	4230PA35EI5AI
35	Inwards	R	4230PA35ID5AI
35	Inwards	L	4230PA35II5AI



#### PANIC B:

- » Split follower.
- » The interior handle unlocks the latch and the deadbolt
- » The exterior handle unlocks the latch



# Gate electric lock

## Automatic lock and electric strike

### TCP Series

#### Security and comfort

- » When the door is closed, the trigger operates the deadbolt automatically.
- » The door is always blocked, although cylinder is not operated.
- » Is possible to unlock the blocking with handle or cylinder.

#### Electric control

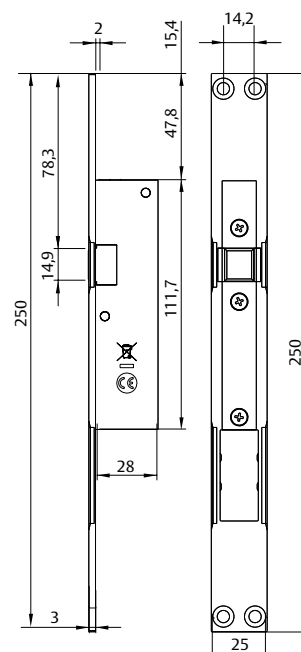
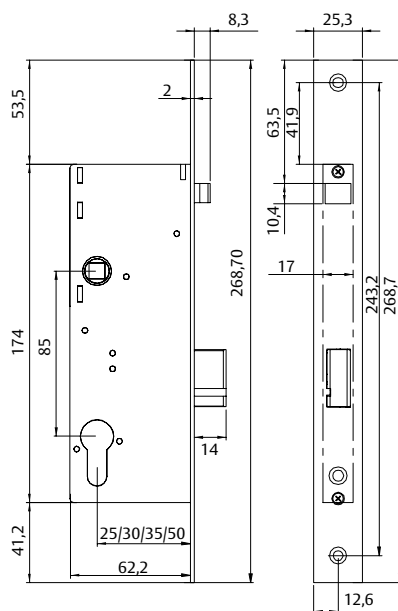
- » When the strike receives the electric signal, the lock unblocks.

#### Characteristics

- » Sainless steel forend and strike.
- » Distance between leaf and frame 5mm maximum.
- » Power supply voltage: 12Vac/Vdc



Backset	Product code	Cylinder	Strike	Escutcheon
25	TCP25		•	
30	TCP30		•	
35	TCP35		•	
50	TCP50		•	





# Standard electric strikes

## Mechanical features

- » Reversible
- » Stainless Steel Front (also Glazed in Brown).
- » Deadlocking tab for latch with 3 mm side regulation.

## Electric features

- » 12V AC standard reel.
- » Available in special versions with direct current, in Normal and Inverted operations (Fail Safe).
- » Available in a special 24V (AC or DC) reel.

## Control functions

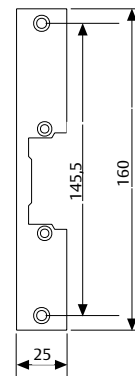
- » NORMAL (electric unblocking during the control pulse)
- » AUTOMATIC (the control pulse unblocks the door, after which the pulse remains unblocked for an only opening. The door's lock then blocks the strike).
- » WITH UNBLOCKING LEVER (permanent manual unblocking).

## Short face plate

### Application

- » Main door locks: 2219 and 2039
- » Passage function locks: 2015, 2035, 135, 2215 and knobs.

Function	Finish	Model
Normal	Stainless steel	CERNORCIN
Normal with unblocking	Stainless steel	CERNODCIN
Automatic	Stainless steel	CERAUTCIN
Automatic with unblocking	Stainless steel	CERAUDCIN

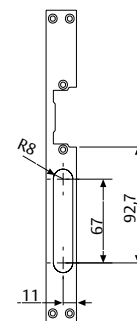


## Long face plate. Wooden door

### Application

Bolt locks: 100B, R200B, TLB, CANB

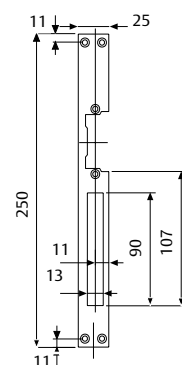
Function	Finish	Model
Normal	AE	CERNORBUE
Normal with unblocking	AE	CERNODBUE
Automatic	AE	CERAUTBUE
Automatic with unblocking	AE	CERAUBUE
Normal	Stainless steel	CERNORBUI
Normal with unblocking	Stainless steel	CERNODBUI
Automatic	Stainless steel	CERAUTBUI
Automatic with unblocking	Stainless steel	CERAUBUI



### Application

Slide Action Lever Locks: 2010, 130, 2030, R200N, TLP

Function	Finish	Model
Normal	AE	CERNORLCE
Normal with unblocking	AE	CERNODLCE
Automatic	AE	CERAUTLCE
Automatic with unblocking	AE	CERAUDLCE
Normal	Stainless steel	CERNORLCI
Normal with unblocking	Stainless steel	CERNODLCI
Automatic	Stainless steel	CERNODLCI
Automatic with unblocking	Stainless steel	CERAUDLCI



# Standard electric strikes

## Long face plate. Ironwork door

### Application

Swinging Lever Locks: 2210B, 2230.

Function	Finish	Model
Normal	Stainless steel	CERNORLBI
Normal with unblocking	Stainless steel	CERNODLBI
Automatic	Stainless steel	CERAUTLBI
Automatic with unblocking	Stainless steel	CERAUDLBI

### Application

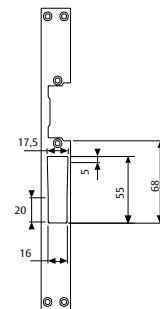
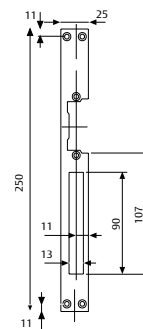
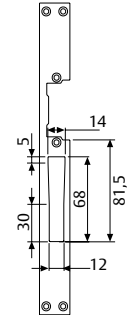
Slide Action Lever Locks: 2210.

Function	Finish	Model
Normal	Stainless steel	CERNORLCI
Normal with unblocking	Stainless steel	CERNODLCI
Automatic	Stainless steel	CERAUTLCI
Automatic with unblocking	Stainless steel	CERAUDLCI

### Application

Hook Bolt Locks: 2240, 2230L, 2230P.

Function	Finish	Model
Normal	Stainless steel	CERNORLGI
Normal with unblocking	Stainless steel	CERNODLGI
Automatic	Stainless steel	CERAUTLGI
Automatic with unblocking	Stainless steel	CERAUDLGI



# Electric strikes for thermal break aluminium stiles

## Mortise electric strike

### Mechanical features

- » Reversible
- » Stainless Steel Front / steel front.
- » Deadlocking tab for latch with 1 mm side regulation.

### Electric features

- » 12Vca standard reel.
- » Available in special versions with direct current, in Normal and Inverted operations (Fail Safe).
- » Available in a special 24V (AC or DC) coil.

### Control functions

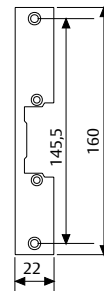
- » NORMAL (electric unblocking during the control pulse)
- » AUTOMATIC (the control pulse unblocks the door, after which the pulse remains unblocked for an only opening. The door's lock then blocks the strike).
- » WITH UNBLOCKING LEVER (permanent manual unblocking).

## Short face plate

### Application

- » Main door locks: 2219 and 2039
- » Passage function locks: 2015, 2035, 135, 2215 and knobs.

Función	Finish	Model
Normal	Inox	CESNORCIN
Normal with unblocking	Inox	CESNODCIN
Automatic	Inox	CESAUTCIN
Automatic with unblocking	Inox	CESAUDCIN

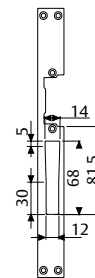


## Long face plate

### Application

Swinging Lever Locks: 2210B, 2230.

Función	Finish	Model
Normal	Inox	CESNORLBI
Normal with unblocking	Inox	CESNODLBI
Automatic	Inox	CESAUTLBI
Automatic with unblocking	Inox	CESAUDLBI



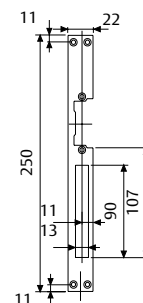
# Electric strikes for thermal break aluminium stiles

## Long face plate

### Application

Slide Action Lever Locks: 2210.

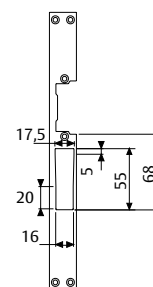
Function	Finish	Model
Normal	Stainless steel	CESNORLCI
Normal with unblocking	Stainless steel	CESNODLCI
Automatic	Stainless steel	CESAUTLCI
Automatic with unblocking	Stainless steel	CESAUDLCI



### Application

Hook Bolt Locks: 2240, 2230L, 2230P.

Function	Finish	Model
Normal	Stainless steel	CESNORLGI
Normal with unblocking	Stainless steel	CESNODLGI
Automatic	Stainless steel	CESAUTLGI
Automatic with unblocking	Stainless steel	CESAUDLGI

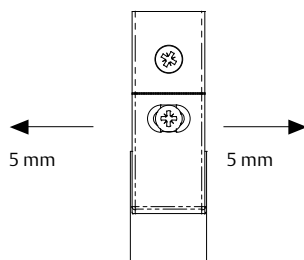
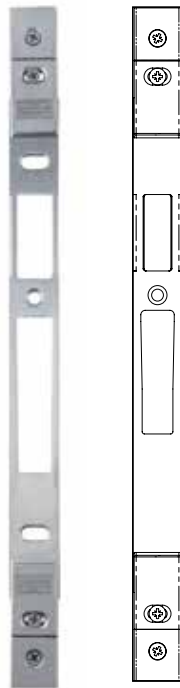


# Adjustable strikes

## Stiles with european chamber

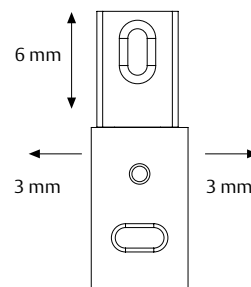
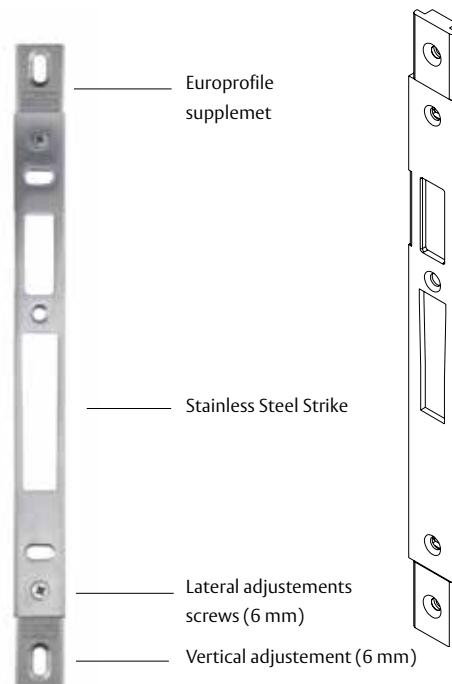
### CRN Series

- » Strike material; stainless steel.
- » Specific design for Normalized aluminium profiles.
- » Lateral regulation of 10 mm (+5, -5).
- » Fast fixing system, without drilling.



### CRE Series

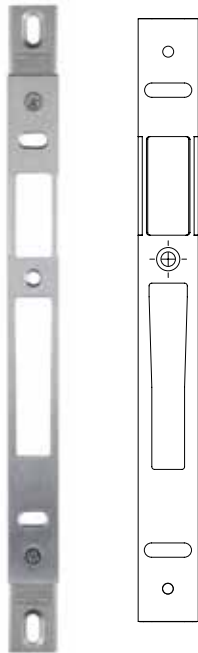
- » Strike material; stainless steel.
- » Specific design for Normalized aluminium profiles.
- » Lateral regulation of 6 mm (+3, -3).



# Adjustable strikes

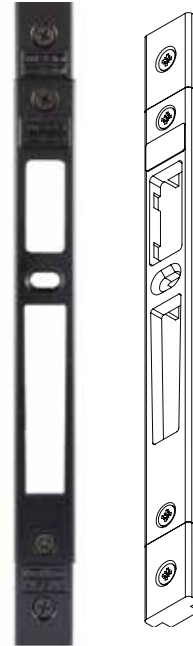
## C22 Series

- » Stainless steel strikes.
- » Lateral regulation of 6 mm.

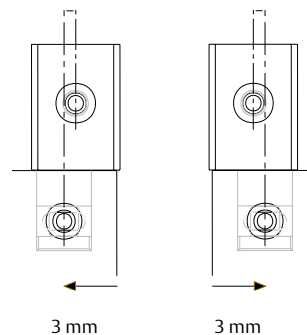
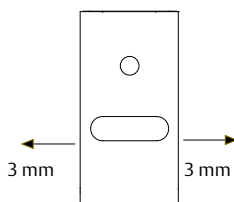


## T21G Series

- » Metallic alloyed strikes
- » Specific design for Normalized aluminium profiles
- » Lateral regulation of 6mm (+3, -3).



Product code	Lock	Finish
T2110510G	2210B/ 2216B/ 2210BE	NE
T2110511G	2211B/ Aux lock 2230P / Aux lock 2230PE	NE
T2110540G	2240 / 2240BE / 2230P / 2230PE	NE
T2110541G	2241BE	NE



# Strike application guide

## Premium Series

Strike	Product code	2210X	Central 2230X	Central 2230U	Central 2230G	Aux lock 2230X	Aux lock 2230U	Aux lock 2230G
		2211X 2216X	Central 2231X Central 2236X	Central 2231U Central 2236U	Central 2231G Central 2236G	Aux lock 2231X Aux lock 2236X	Aux lock 2231U Aux lock 2236U	Aux lock 2231G Aux lock 2236G
C22	C2210XNOX	•	•	•	•			
	C2230XNOX					•	•	
	C2230GNOX							•
CRE	CRE2210XI	•	•	•	•			
	CRE2230XI					•	•	
	CRE2230GI							•
CRN	CRN2210XI	•	•	•	•			
	CRN2230XI					•	•	
	CRN2230GI							•

## Swinging bolt Series - narrow case

Strike	Product code	2210BE	2216BE	2240BE	2246BE	Central 2230PE	Central 2236PE	Aux lock 2230PE	Aux lock 2230LE
		2211BE 2214BE 2215BE	2218BE	2241BE		Central 2231PE Central 2230LE Central 2231LE	Central 2236PE Central 2236LE	Aux lock 2231PE Aux lock 2236PE	Aux lock 2231LE Aux lock 2236LE
C22	C2210BEAI	•							
	C2216BEAI		•						
	C2240BEAI			•		•			
	C2246BEAI				•		•		
	C2230INOX							•	•
CRE	CRE2210BEI	•							
	CRE2216BEI		•						
	CRE2240BEI			•		•			
	CRE2246BEI				•		•		
	CRE2230AI							•	•
CRN	CRN2210BEI	•							
	CRN2216BEI		•						
	CRN2240BEI			•		•			
	CRN2246BEI				•		•		
	CRN2230AI							•	•

# Strike application guide

## Swinging bolt Series

Strike	Product code	Swinging bolt Series						Aux lock		
		2210B 2211B 2214B 2215B	2216B 2218B	2240 2241	2246	2230 2231	2236	Central 2230P Central 2231P Central 2230L Central 2231L	Central 2236P Central 2236L	2230P 2231P 2236P 2230P 2231P 2236P
C22	C2210INOX	•					•			
	C2216INOX		•					•		
	C2240INOX			•					•	
	C2246INOX				•					•
	C2230INOX									•
CRE	CRE2210AI	•					•			
	CRE2216AI		•					•		
	CRE2240AI			•					•	
	CRE2246AI				•					•
CRN	CRN2210BI	•					•			
	CRN2216BI		•					•		
	CRN2240BI			•					•	
	CRN2246BI				•					•
	CRN2230AI									•

## Sliding bolt Series

Strike	Product code	Sliding bolt Series					
		2210D 2214D	2211D 2211E	2215D	2216D	2218D 2218E	2210E 2214E 2216E
C22	C2210DNOX	•					
	C2211DNOX		•				
	C2215DNOX			•			
	C2216DNOX				•		
	C2218DNOX					•	
	C2210ENOX						•

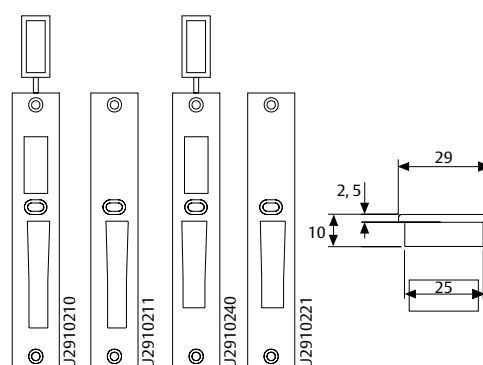
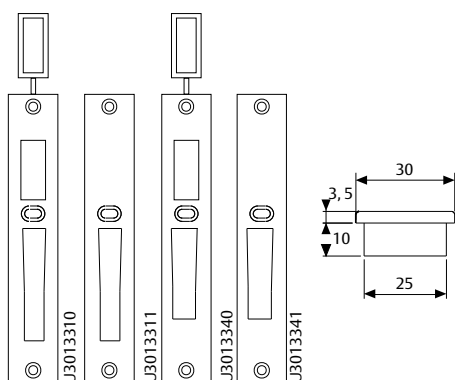
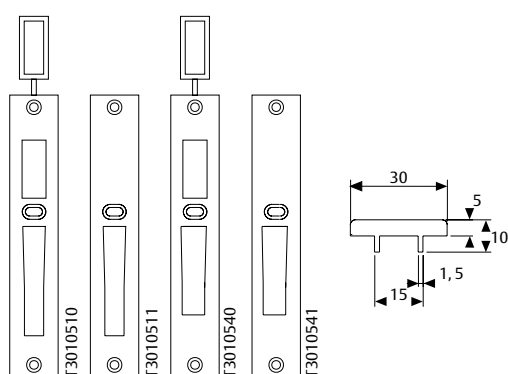
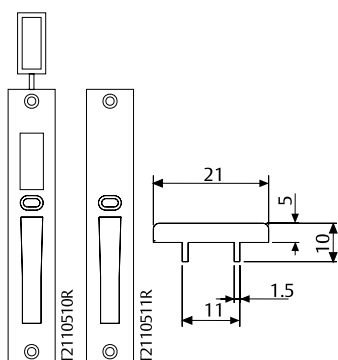


# Special strikes

## T21 / T30 / U29 / U30 Series

- » The wide range of special polyamide strikes allows perfect fitting to the vast majority of aluminium stiles in the market.
- » Their glass-fibre reinforced polyamide construction assures a smooth latch sliding and high durability.

- » T21 model, which is manufactured in a metallic alloy for higher resistance, is the perfect choice for channelled stiles. (See application picture below)



Product code	2210B 2214B 2215B 2216B 2218B	2211B 2231	2230 2236	2230L/P 2236L/P	2231L/P	2240 2246	2241
T21 105 40				•		•	
T21 105 41					•		•
T21 105 10	•		•				
T21 105 11		•		••	••		
T30 085 10	•		•				
T30 105 10	•		•				
T30 105 11		•		••	••		
T30 105 40			•			•	
T30 105 41					•		•
U29 102 10	•		•				
U29 102 11		•		••	••		
U29 102 40			•			•	
U29 102 41					•		•
U30 133 10	•		•				
U30 130 11		•		••	••		
U30 133 40			•			•	
U30 133 41					•		•

• = One piece required •• = Two pieces required

# Escutcheon

## Security escutcheons E240

- » The new cylinder escutcheon, the E240, offers design and security.
- » 2 tempered plates protects the cylinder from direct attacks using drill, offering the same security level that the cylinder escutcheons used in Tesa security doors.



Product code	Finish
E24000BL	BL
E24000NE	NE
E24000NS	NS

## Anti extraction attack E210

- » Anti extraction attack cylinder rose manufactured in metallic alloy.
- » Nickel plated steel plate in the interior is hidden with a snap-in polyamide cover.
- » Very easy installation with bolt through fixing with M5 screws.



Product code	Finish
E21000BL	BL
E21000NE	NE
E21000NM	NM

## E205 escutcheon

- » Designed for its simple and fast installation.
- » The installation does not require screws that go through the lockcase; the cylinder rose is placed riveting the plate to the profile.



Product code	Finish
E20500BL	BL
E20500NE	NE

## E190 escutcheon

- » Nickel plated steel plates are hidden with snap-in polyamide covers.
- » Finishes : Black and white.
- » It is possible to order with no hole covers.

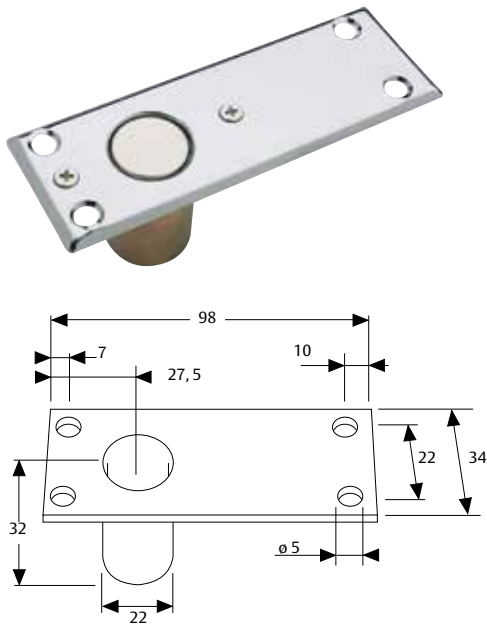


Product code	Finish
E19000BL	BL
E19000NE	NE

# Accessories

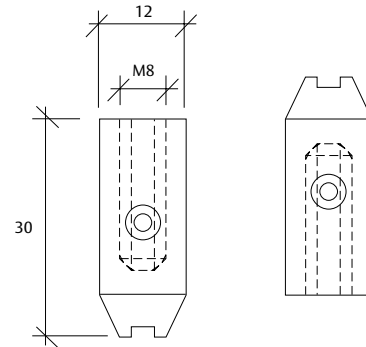
## GUARPOHC floor strike

- » Floor strike for bottom locking in 2 230 series locks.
- » It possesses a spring-loaded protective lid that prevents dust from getting into the strike hole.
- » Nickel plated finish.



## PAB2230 locking bolts

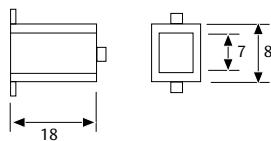
- » Hardened steel top jamb & floor locking bolts.
- (Set of two units).
- » M8 interior thread.



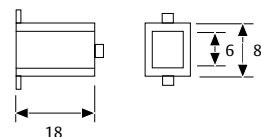
## Follower reduction square sleeves

- » Zinc plated steel square sleeves.

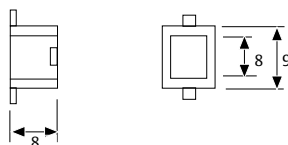
44700NM  
7mm. spindle into 8mm.  
Follower adaptation.



44600NM  
6mm. spindle into 8mm.  
Follower adaptation.



44900NM  
8mm. spindle into 9mm.  
Follower adaptation.







---

**ASSA ABLOY**

Talleres de Escoriaza, S.A.U.  
Barrio Ventas, 35 • E-20305 Irun • SPAIN  
Tel.: +34 943 669 100 • Fax: +34 943 633 221  
[www.tesa.es](http://www.tesa.es)

ASSA ABLOY is the global leader in door opening solutions,  
dedicated to satisfying end-user needs for security, safety and convenience