

Industrial Applications



ASSA ABLOY



Locking solutions for Industrial Applications



The monitoring of the opening and locking of doors does not only apply to the access to buildings – quite often, the user must lock other types of elements such as cupboards, mailboxes, lockers or even machines. All these locking solutions are called Industrial Applications.

Security

Depending on the security needs of each user, we can choose between low security for a mailbox, medium security for a locker or high security for a lock with a patented key (in the case of a vending machine containing money).

Therefore, each application requires its own security level.



Replacement

Based on a wide range of solutions, a wide range of possibilities is available for replacing, changing or merely increasing the security of existing locks, which makes it very easy to replace them.



Width of range

Each application requires its own locking solution. It may be a cupboard that must be locked with a cam lock, or a machine that needs to be started by an authorized person – each application requires its own locking solution.

These solutions are based on Cam Locks, Electric Contact Locks, Left-Luggage Office Locks, Padlocks or Normalized Locks.



Guaranteed by TESA ASSA ABLOY

To buy TESA ASSA ABLOY is a guarantee of quality. All our locks have been certified by the highest standards: the ISO 9001 Quality Certificate, the ISO 14001 (respect for the environment) and that of Labour Security and Occupational Hazard Prevention.

Therefore, each time you purchase a product from TESA ASSA ABLOY, you are sure to own a product of the highest quality.



M

Index

Wafer-tumbler System Locks
Basic Range 610



Pin System Locks
Medium Range 605



Pin System Locks
Security Range - Mini



Locks for Office Furniture



Switch Locks



Locks for Left-Luggage Offices



Padlocks



Surcharges Industrial Cylinders



Locks with PIN code



Locks managed with
Mifare® cards



Electromechanical
locking units



Contents

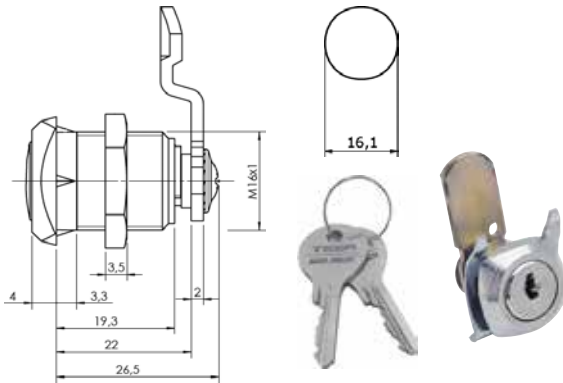
Wafer-tumbler System Locks	5
Basic Range 610	5
Pin System Locks	6
Medium Range 605	6
Security Range Mini	7
Locks for Office Furniture	8
Locks for Office Furniture	8
Switch Locks	9
Switch Locks	9
Locks for Left-Luggage Offices	10
Locks for Left-Luggage Offices	10
Padlocks	11
Surcharges Industrial Cylinders	12
Surcharges Industry	12
Locks with PIN code	13
Code NANO	13
Code 1000	14
External battery adaptor	14
Locks managed with Mifare® cards	15
Code 1050	15
Electromechanical locking units	16
EL180 – EL180RR	16
EL1049 – EL1049RR	17

Wafer-tumbler System Locks

Basic Range 610

 10 unit box.

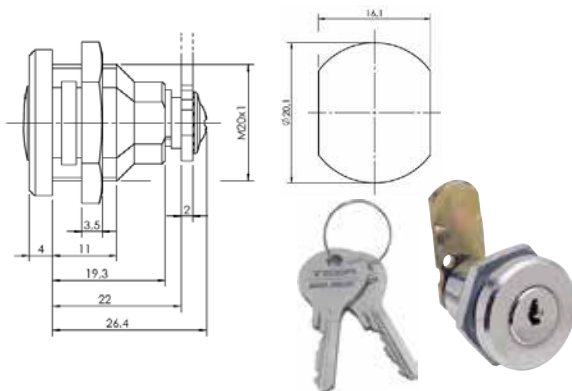
610.014	Finish	Turn	Code
	Chrome	180°	8014180CR



- » Applications: Medium-thickness woodwork and plastic craft, e.g. mailboxes, lockers, cupboards, etc.
- » Screw fastening.
- » Supplied with 5 locking plates.
- » Single-unit packaging in a plastic bag with accessories and EAN code.

 10 unit box.

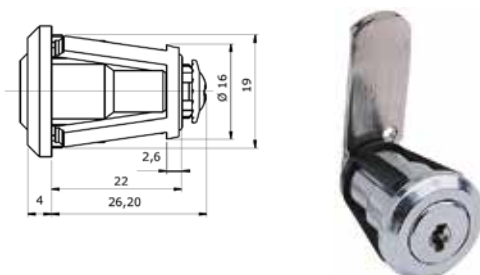
610.020	Finish	Turn	Code
	Chrome	180°	8020180CR



- » Applications: Lockers, mailboxes, cupboards and medium-thickness metalwork in general.
- » Screw fastening.
- » Supplied with 5 locking plates.
- » Single-unit packaging in a plastic bag with accessories and EAN code.

 10 unit box.

610.027 Fast Mounting	Finish	Turn	Code
	Chrome	180°	8027ARCR



- » Applications: Lockers and metal mailboxes, plus metalwork requiring an easy, fast mounting.
- » Fast securing by 'Clip'.
- » Supplied with 5 locking plates.
- » Single-unit packaging in a plastic bag with accessories and EAN code.

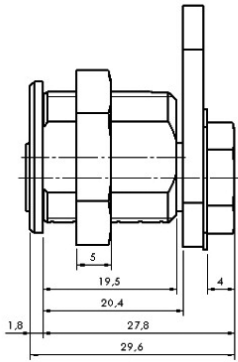
M

Pin System Locks

Medium Range 605


 10 unit box.

605.008

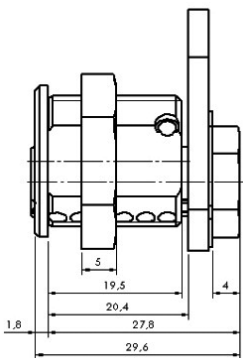


Finish	Turn	Code
Nickel	90° right	86050890DCR
Nickel	90° left	86050890ICR
Nickel	-90°+90°	86050890UCR

- » Applications: Widely used for kiosks, gaming machines and metal furniture in general.
- » Single-unit packaging in a plastic bag with accessories and EAN code.
- » Supplied with 43 mm straight cam.

 10 unit box.

605.019




Finish/Outputs	Turn	Code
Nickel / 2 key exits	-45°+45°	8605019CR

- » Applications: Widely used for kiosks, gaming machines and metal furniture in general.
- » Single-unit packaging in a plastic bag with accessories and EAN code.
- » Supplied with 40 mm straight cam.

Pin System Locks


Security Range Mini

 10 unit box.

623008	Finish	Turn	Code
	Nickel	90° right	8MIN50890DCR
	Nickel	90° left	8MIN50890ICR
	Nickel	-90°+90°	8MIN50890UCR


- » Applications: Wood or metal, payment stations, vending, gaming, etc.
- » Single-unit packaging in a plastic bag with accessories and EAN code.
- » Supplied with 43 mm straight cam.

 10 unit box.


623019	Finish / Outputs	Turn	Code
	Nickel / 2 key exits	-45°+45°	8MIN5019CR


- » Applications: Wood or metal, payment stations, vending, gaming, etc.
- » Single-unit packaging in a plastic bag with accessories and EAN code.
- » Supplied with 40 mm straight cam.

 10 unit box.

620	Finish	Turn	Code
	Nickel	90° right	8MIN6C90DCR

- » Applications: Wood or metal, payment stations, vending, gaming, etc.
- » Single-unit packaging in a plastic bag with accessories and EAN code.
- » Supplied with 43 mm straight cam.

605 / Mini	Concept	Code
	Key alike	890000000000
	Key number	890000000000
	Masterkeying	890000000150
	One extra Key	890552STS020
	One extra Mini Key	892352STSK20

Key Duplication	
	Sawn Key 610
	Sawn Key 605
	Mini Dimple Key
	Patented Key KID



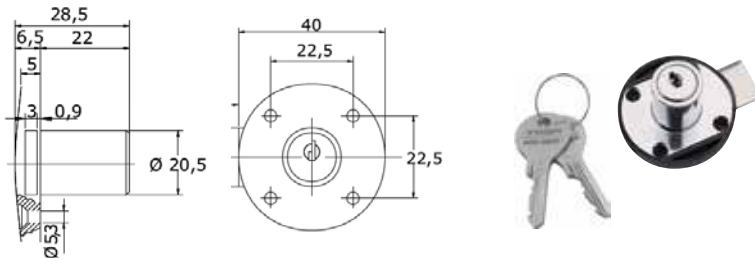
Locks for Office Furniture

Locks for Office Furniture



Minimum Shipment
10 Unit Box.

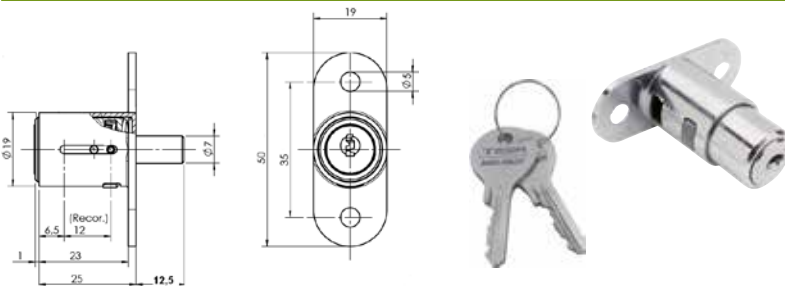
613 Rim and Mortise



Mounting	Finish	Code
Horizontal	CR RED.	8613HORCR
Vertical	CR RED.	8613VERCR

- » Applications: Drawers, cupboards, doors, etc. requiring a locking point.
- » Single-unit packaging with accessories.

Basic Range Push Locks



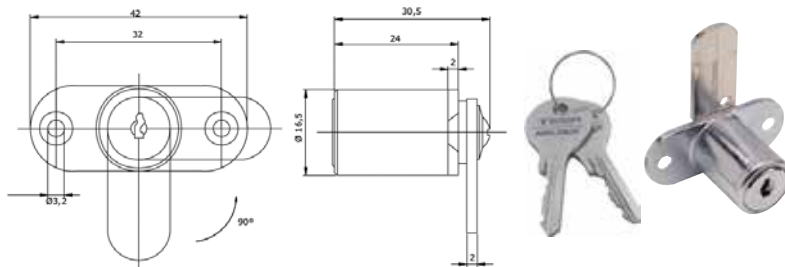
Finish	Code
Chrome	8619PRESCR

- » Applications: Gaming, aluminium metalwork, wooden and metal furniture, sliding doors, office furniture, etc.
- » Single-unit packaging with accessories.



Minimum Shipment
10 Unit Box.

610 Wings



Finish	Turn	Code
Chrome	180°	8610ALETASCR

- » Applications: Medium-thickness wooden doors or drawers.
- » Single-unit packaging with accessories.
- » Supplied with 35 mm straight cam.



Minimum Shipment
10 Unit Box.

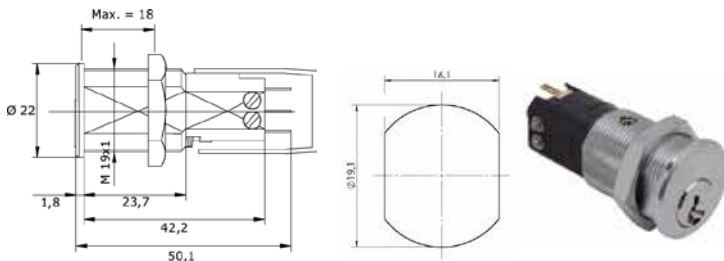
Switch Locks

Switch Locks



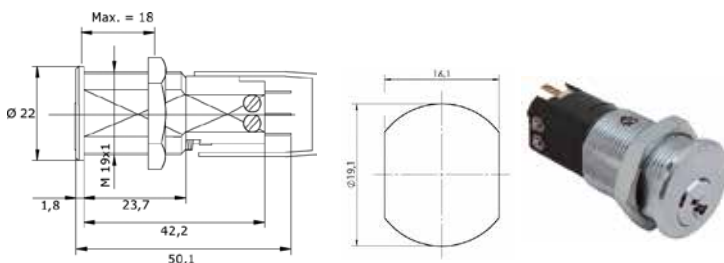
Minimum Shipment
10 Unit Box.

606.008 Electric	Finish	Turn	Contact	Code
	Chrome	90° / 1 key exit	1C + R	8606ELE1CR



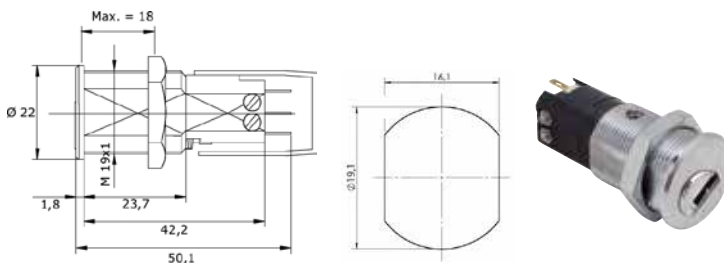
- » Applications: Lifts, automatic doors, access control, shutters, garage doors.
- » Single-unit packaging with accessories.

606.019 Electric	Finish	Turn	Contact	Code
	Chrome	90° / 2 key exits	1C	8606ELE0191C



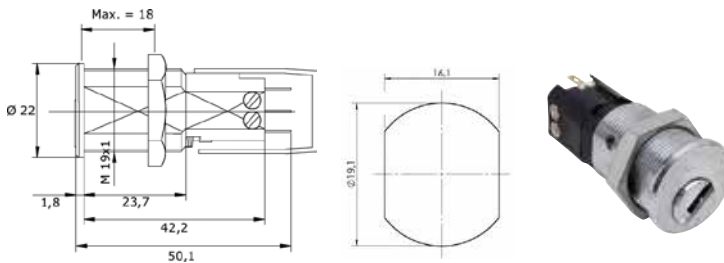
- » Applications: Lifts, automatic doors, access control, shutters, garage doors.
- » Single-unit packaging with accessories.
- » Key exit in ON and OFF positions.

Security Range 622.008	Finish	Turn	Contact	Code
	Chrome	90° / 1 key exit	1C + R	8MINELEC1CR



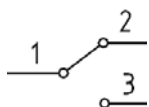
- » Applications: Lifts, automatic doors, access control, shutters, garage doors and automations in general.
- » Single-unit packaging with accessories.

Security Range / Mini 622.019	Finish	Turn	Contact	Code
	Chrome	90° / 2 key exits	1C	8MINELE0191C



- » Applications: Lifts, automatic doors, access control, shutters, garage doors and automations in general.
- » Single-unit packaging with accessories.
- » Key exit in ON and OFF positions.

Micro Spare Parts	Model	Code	Units
	F4T6	8MICROF4T6F	10



Locks for Left-Luggage Offices

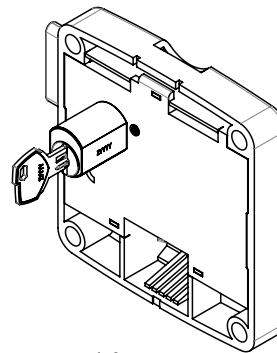
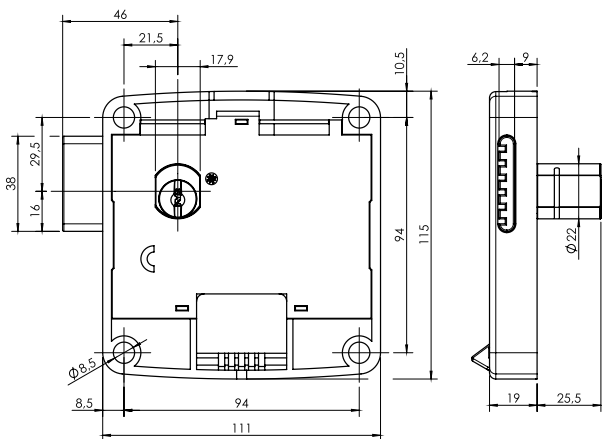
Locks for Left-Luggage Offices

Elite Range

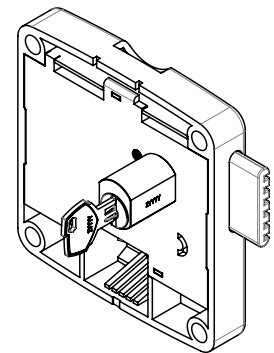


Turn	Code
Left	8MONASELIZQ1E0C
Right	8MONASELDCH1E0C
Spare cylindre with 2 keys	86110LCCC513
Masterkey	821152MAES20
Extraction key	821152MAES30

- » Zamak cylinder.
- » 6 disc-tumblers.
- » Masterkeyable for up to 6000 units per master.
- » 1 masterkey only available.
- » 2 steel sawn keys included.
- » Cylinder removable with extraction key.
- » Works with 1 EURO coin.



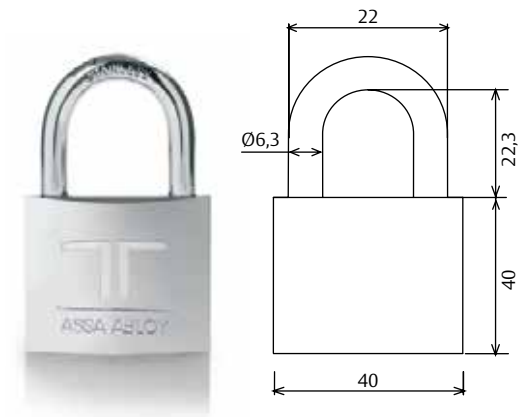
Turn left



Turn right

Padlocks

Model	Size	Code
605 Sawn Key Model 605	CL40	8CL40605CRF.
Mini5 Security Key		8CL40MIN5CRF.



» Compatible for masterkeying between series CS Titanium CL55 and CL40.



Surcharges Industrial Cylinders

Surcharges Industry

SURCHARGES Basic range (inserts)



Concept

Code

Key alike	890000000000
Key number	890000000000
Masterkeyings	890000000110
Extra Key	891052STS020

SURCHARGES Standard Range 605 or MINI



Concept

Code

Key alike	890000000000
Key number	890000000000
Masterkeyings	890000000150
Sawn Key	890552STS020
Dimple Mini Key	892352STSK20

Key Duplication



Sawn Key 610

Sawn Key 605

Mini Dimple Key

Patented Key KID

Locks with PIN code

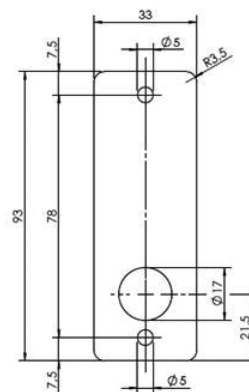
Code NANO

This lock is a standalone battery operated locking system working with a four-digit pin code.

To be fitted to cabinets, lockers, in use in leisure facilities, schools, hospitals, offices, ...
The lock can be set to open automatically and can be flush mounted.

Features

- » 2 functions: Private or Public (multi occupancy).
- » Up to 100,000 openings.
- » Door thickness:
 - Surface mounted: up to 25 mm.
 - Flush mounted: up to 40 mm.
- » Grey color as standard, black and white finish as an option.
- » Non-volatile memory.
- » External dimensions: 93 x 33 x 18 mm
- » 1 x coin cell battery (supplied).
- » Vertical model: Suitable for right and left hand.
- » Horizontal model: Not suitable for right and left hand.



Code
8CODENANO

Standard box items

- 1 NANO lock
- 2 Surface trim plate
- 3 Flux fit fixing plate
- 4 Coin cell battery



For flush mounted on the door, remove items 2 and 3.



Locks with PIN code

Code 1000

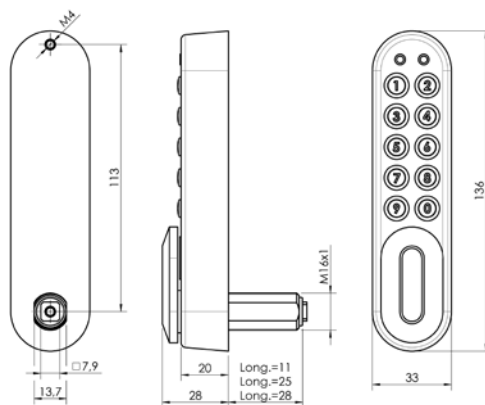
This lock is a standalone battery operated locking system working with a four-digit pin code.

To be fitted to cabinets, lockers, in use in leisure facilities, schools, hospitals, offices, ...

The lock is intended for dry indoor spaces, but can be supplemented with a sealing gasket for use in damp indoor environments.

Features

- » 2 functions: Private or Public (multi occupancy).
- » Up to 15,000 openings.
- » Valid for doors thicknesses up to 25 mm.
- » Supplied as standard with 2 cams and 3 shafts of different lengths (22 mm, 25 mm and 28 mm).
- » IP55 rated when used with the rubber door gasket.
- » Grey color as standard, black finish as an option.
- » External dimensions: 136 x 32 x 30 mm
- » 2 Alkaline AAA cells (supplied).
- » Vertical model: Suitable for right and left hand.
- » Horizontal model: Not suitable for right and left hand.



Description	Code
Lock	8CODE1000VG
Gasket	8CODE1000JUN

External battery adaptor

Features

- » In case the cells have run out, an emergency opening can be done using a 9 V (PP3) battery inserted in this adaptor.
- » Suitable for CODE 1000, CODE 1500 and CODE NANO locks.



Code
8CARCODE1000

Locks managed with Mifare® cards

Code 1050

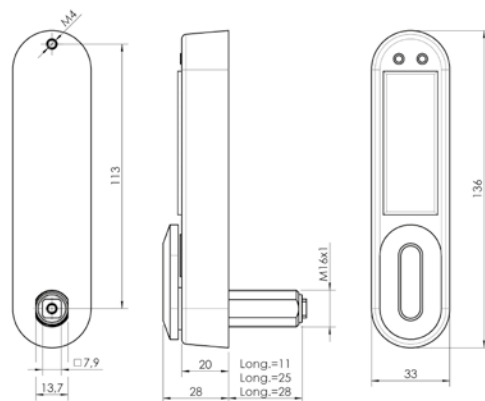
This lock is a standalone battery operated locking system working with RFID Mifare® Classic cards.

To be fitted to cabinets, lockers, in use in leisure facilities, schools, hospitals, offices, ...

The lock is intended for dry indoor spaces, but can be supplemented with a sealing gasket for use in damp indoor environments.

Features

- » Smart card access.
- » 2 functions: Private or Public (multi occupancy).
- » Up to 15,000 openings.
- » Valid for doors thicknesses up to 25 mm.
- » IP55 rated when used with the rubber door gasket. Not suitable for a Chlorine environment.
- » Non-volatile memory.
- » Silver grey color.
- » External dimensions : 136 x 33 x 28 mm
- » 2 alkaline AAA cells (supplied).
- » Low battery warning.
- » Fitting options: any orientation.
- » Battery override: Adaptor with a 9 volt battery can be placed against external contacts.



Description	Code
Lock	8COD1050SNASG



Electromechanical locking units

EL180 – EL180RR

Locking system for locker, drawers, racks, self-service parcels terminals, ... Good solution when needed to be integrated to a control access system.

RR version has a magnetic switch that indicates the closing position (closed/open).



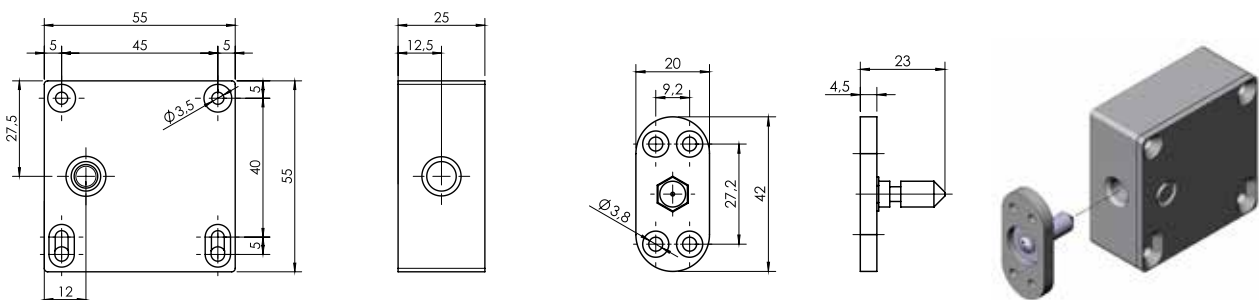
Features

- » Works with DC or AC operating voltage according to the model.
- » Operating Voltage: Standard 12 V.
Option 24 V.
- » Intensity: Current 0.34 A (12 V).
Option 0.18 A (24 V).
- » Operating temperature: -20 °C +60 °C
- » Protection: IP42.
- » Dimensions: 55 x 55 x 25 mm
- » Locking pin: Diameter 7mm
Length 18 mm
Footprint 20 x 42 mm
- » Resistance : 180 kg for breakage.
- » Operates in both vertical and horizontal positions.
- » Installation without preload.

Description	Operating mode	Closing position indicator	Code
EL180 NC 12 AC/DC	NC	No	8CERMNC12ACDC
EL180 NC 12 AC/DC RR	NC	Yes	8CERMNC12ACDCRR
EL180 NO 12 DC	NO	No	8CERMNA12DC
EL180 NO 12 DC RR	NO	Yes	8CERMNA12DCRR
EL180 NC 12 AC SPRING	NC	No	8CERMNC12AC
EL180 NC 12 AC SPRING RR	NC	Yes	8CERMNC12ACRR
EL180 NC 24 AC/DC	NC	No	8CERMNC24ACDC
EL180 NC 24 AC/DC RR	NC	Yes	8CERMNC24ACDCRR
EL180 NO 24 DC	NO	No	8CERMNA24DC
EL180 NO 24 DC RR	NO	Yes	8CERMNA24DCRR
EL180 NC 24 AC SPRING	NC	No	8CERMNC24AC
EL180 NC 24 AC SPRING RR	NC	Yes	8CERMNC24ACRR

NC: Normally Closed.

NO: Normally Open.



Electromechanical locking units

EL1049 – EL1049RR

Locking system for locker, drawers, racks, self-service parcels terminals, ... Good solution when needed to be integrated to a control access system.

RR version has a magnetic switch that indicates the closing position (closed/open). Same model for 12/24V AC/DC, NO/NC.



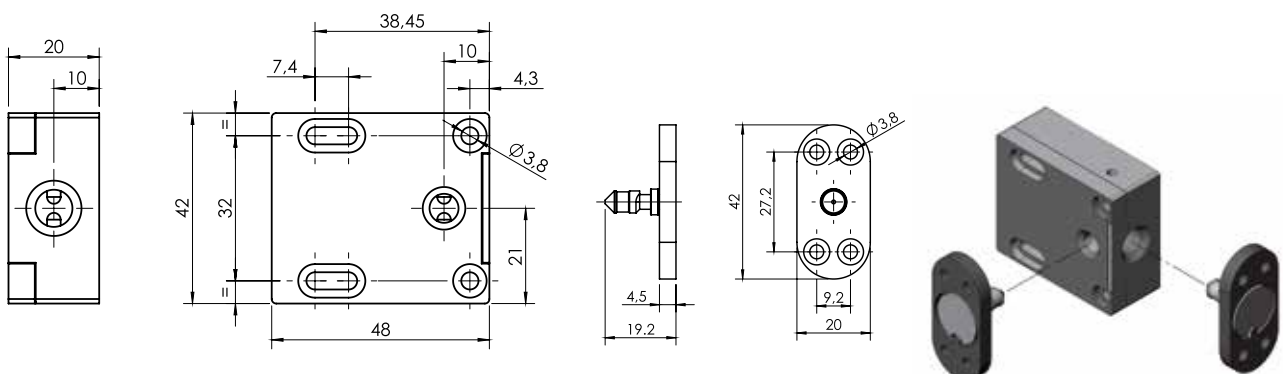
Features

- » Works with DC or AC operating voltage.
- » NO and NC turning the closing bolt.
Suitable for 12 or 24 V.
- » Intensity: 0.26 A (12 V)
0.13 A (24 V).
- » Operating temperature: -10 °C +40 °C
- » Protection: IP20.
- » Dimensions: 48 x 42 x 20 mm
- » Locking pin: Diameter 7mm
Length 18 mm
Footprint 20 x 42 mm
- » Resistance: 100 kg for breakage.
- » Operates in both lateral and frontal positions.
- » Installation without preload.

Description	Operating mode	Closing position indicator	Code
EL 1049	NO/NC	No	1049.10-----Q31
EL 1049 RR	NO/NC	Yes	1049.10RR---Q31

NC: Normally Closed.

NO: Normally Open.





ASSA ABLOY

Talleres de Escoriaza, S.A.U.
Barrio Ventas, 35 • E-20305 Irun • SPAIN
Tel.: +34 943 669 100 • Fax: +34 943 633 221
www.tesa.es

ASSA ABLOY is the global leader in door opening solutions,
dedicated to satisfying end-user needs for security, safety and convenience