

# Door closers and door operators

TESA

ASSA ABLOY



# Safety that begins when door opens



The TESA ASSA ABLOY Door Closer range offers solutions for controlled closing of any kind of door, be it made of wood, aluminium, steel or glass, and of course, Fire Doors.

Regardless the door material, dimensions or weight, this catalogue offers a wide scope of solutions for each need, from the entrance door to

an apartment building to very specific applications like the access to surgery areas in a hospital, corridors and rooms in a Hotel or outstanding doors in museums or historic buildings.

If you could not find a solution for your specific need in the TESA ASSA ABLOY closer range, it simply does not exist.

## Versatility

TESA ASSA ABLOY's door closers are ideal for a wide range of situations – from private homes to the commercial or public sector and for heavy or lightweight doors. The modular design simplifies planning, while the intelligent setting adjustment and installation features ensure easy installation.



## Fire doors and en1154 standard: alliance for safety

The standardisation of minimum performance requirements for a Door Closer came in 1996 with EN1154 standard, which was later on revised and updated in 2002.

Nowadays, most of the European Countries request a EN1154 certified Door Closers for every Fire Door involved in a Fire Prevention plan. This is why certified and CE marked Door Closers play a central role in the Fire Protection of any building.

Bearing in mind the importance of protecting people's lives, the fulfilment of minimum requirements of EN1154 has never been a goal in TESA ASSA ABLOY, but the very starting point of development for all CE marked models in our range.



## Guaranteed by TESA ASSA ABLOY

Buying TESA ASSA ABLOY is a quality guarantee. All our products boast the highest guarantees, such as the ISO 9001 Quality certificate, the environmentally-conscious ISO 14001 and the Occupational Hazard Prevention standard. TESA ASSA ABLOY offers ecologically sustainable quality products, manufactured by highly dedicated staff.



## Controlled and efficient closing

Every TESA ASSA ABLOY door closers features at least two speed control valves, and, of course, the closing power can be adjusted to door size.

That is the case in our multi-size models, which offer 2 or 3 sizes in a single closer or the more advanced models featuring continuously adjustable size, which allows perfect adaptability of closing power to the exact requirements of each specific door.



## Accessibility

Disabled, Elderly and Children... a growing population sector that needs easier access through every door.

TESA ASSA ABLOY is proud to offer a complete range of CAM MOTION door closers which feature SOFT TOUCH opening.



# Closer selection

## Standard Arm

EN size	Width	Weight	CT500	CT1800 CT2500	CT300036 + BN3000	CT300057 + BN3057
1	75 cm	20 Kgs				
2	85 cm	40 Kgs	•	•	•	
3	95 cm	60 Kgs	•	•	•	
4	110 cm	80 Kgs		•	•	
5	125 cm	100 Kgs			•	•
6	140 cm	120 Kgs			•	•
7	160 cm	160 Kgs				•
Traffic intensity			Medium	High	Very High	Very High



## Sliding guide rail

EN size	Width	Weight	CT2300	CT300036 + GD3000	CT4500	CT5000	CT5700
1	75 cm	20 Kgs		•	•	•	
2	85 cm	40 Kgs		•	•	•	
3	95 cm	60 Kgs	•	•	•	•	
4	110 cm	80 Kgs		•	•	•	
5	125 cm	100 Kgs				•	
6	140 cm	120 Kgs				•	•
7	160 cm	160 Kgs					•
Traffic intensity			Medium	Very High	High	Very High	Very High



## Concealed

EN size	Width	Weight	TEX703	TEX14	TEX26
1	75 cm	20 Kgs		•	•
2	85 cm	40 Kgs		•	•
3	95 cm	60 Kgs	•	•	•
4	110 cm	80 Kgs		•	•
5	125 cm	100 Kgs			•
6	140 cm	120 Kgs			•
7	160 cm	160 Kgs			•
Traffic intensity			Medium	High	Very High



## Floor springs

EN size	Width	CTSU71	CTSU80	CTSU100	CTSU300
1	75 cm				
2	85 cm			•	
3	95 cm	•	•	•	•
4	110 cm	•	•	•	•
5	125 cm			•	•
6	140 cm				•
7	160 cm				•
Traffic intensity		Medium	Medium	High	Very High
Maximum strength		100 kg (no CE certificate)	120 kg	170 kg	300 kg



Size coding: ○ Single fixed size • Selectable sizes by position  
Continuously Adjustable size with fine tune control

# Index

## Contents

<b>Link arm door closers</b>	<b>6</b>	<b>Top pivots for glass doors</b>	<b>38</b>
CT500	6	PV1565V	38
CT1800	7	PV2565V	38
CT2500	8		
CT2800	9	<b>Floor springs</b>	<b>39</b>
CT3000	10	CTSU71. Kit for double action doors	39
CT3000LE free swing function	13		
		<b>Door closing selector for double doors</b>	<b>40</b>
<b>Sliding guide rail closers</b>	<b>14</b>	SELTELCIER	40
CT2300	14		
CT4500	15	<b>Obermatic door operators</b>	<b>41</b>
CT5000	16	OBM505	41
CT5700	18		
		<b>Obermatic accessories</b>	<b>42</b>
<b>Sliding guide rails for CT5000</b>	<b>19</b>		
GD15EM	19		
GD25SC	20		
GD25EM1	21		
GD25EM2	22		
<b>Accessories for GD25SC, GD25EM and GD25EM2</b>	<b>23</b>		
<b>Concealed doorclosers</b>	<b>24</b>		
TEX703	24		
TEX14	25		
TEX26	26		
GDXEM	27		
GD2XSC	27		
GD2XEM1	28		
GD2XEM2	29		
<b>Floor springs</b>	<b>30</b>		
CTSU80	30		
CTSU100	31		
CTSU300	32		
<b>Hinges for metal and wooden doors</b>	<b>33</b>		
Double action doors	34		
PICE 150 ground pivot	34		
Offset arms	35		
<b>Patch fittings for Glass Doors</b>	<b>36</b>		
Top pivot	36		
Top hinge	36		
Bottom hinge	36		
<b>Hinges for glass doors</b>	<b>37</b>		
Hinges for glass doors - double action	37		
BVI565V	37		
BV565V	37		

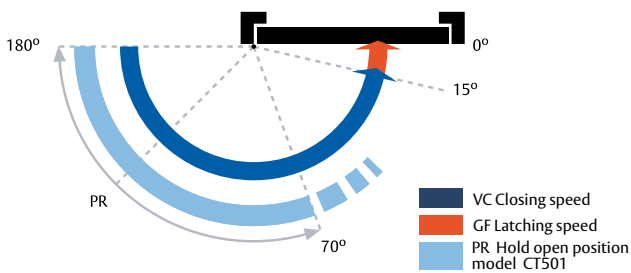
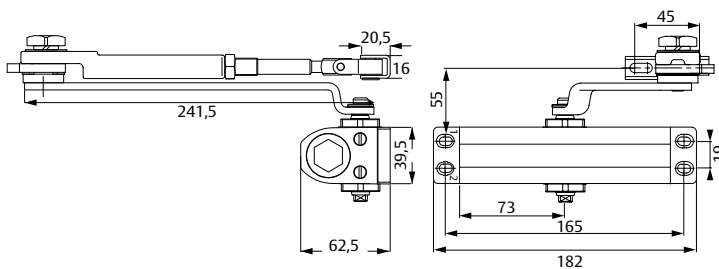


# Link arm door closers

## CT500

The CT500 is a door closer that offers good performance in a compact size.

- » One model for three strength sizes: 2/3/4.
- » Suitable for doors width up to 1100 mm.
- » Maximum opening angle up to 180°.
- » Closing and latching speed adjustable via regulating valves.
- » Durability test up to 100.000 cycles.
- » Reversible, non handed.
- » CT501: Includes adjustable hold open arm, for any door open position up to 180°.
- » UL certificate.
- » Available finishes: BL: White, NE: Black, PL: Silver.



Standard arm		
Size	Code	Finish
2 - 3 - 4	CT50024BL	White
2 - 3 - 4	CT50024NE	Black
2 - 3 - 4	CT50024PL	Silver
Hold open arm		
Size	Code	Finish
2 - 3 - 4	CT50124BL	White
2 - 3 - 4	CT50124NE	Black
2 - 3 - 4	CT50124PL	Silver

# Link arm door closers

## CT1800

Multi size door-closer (2-3-4) by means of three mounting positions.  
CT1800 has been EN1154 certified and hence valid for Fire Doors.

- » One model for three sizes: EN2, EN3 and EN4
- » Maximum opening up to 180° (depending on door hinges and environment). Up to 105° mounted at size 4.
- » Distance between fixing holes is 19 mm:  
CT1800 closers fit any aluminium door.
- » Reversible, non handed.
- » Finishes: White (BL), Black (NE), Silver (PL).

Classification with EN1154:1996+A1:2002

Standard arm transom mountings:

3 8 2/4 1 1 4

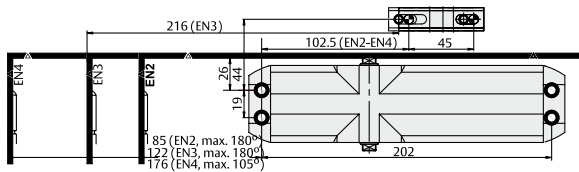
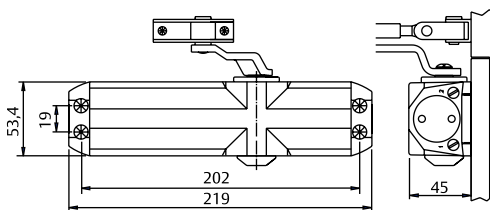
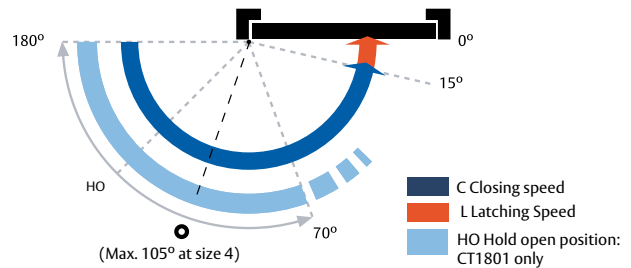
With parallell arm bracket SOP1800

3 8 3 1 1 4

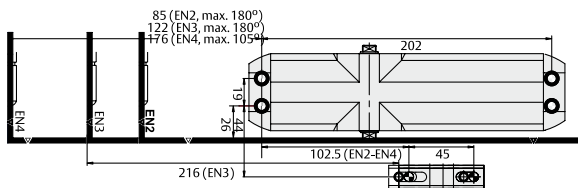


EN 1154 CERTIFIED

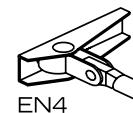
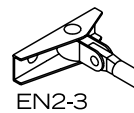
Fire door



Standard mounting: Pull side



Transom mounting: Push side



Non hold open (EN1154 Certified)		
Size	Model	Finish
2 - 4	CT180034BL	White
2 - 4	CT180034NE	Black
2 - 4	CT180034PL	Silver
Hold open (Not suitable for fire doors)		
Size	Model	Finish
2 - 4	CT180134BL	White
2 - 4	CT180134NE	Black
2 - 4	CT180134PL	Silver
Paralell arm installation bracket		
Reference	Finish	
SOP1800BL	White	
SOP1800NE	Black	
SOP1800PL	Silver	



SOP1800 Parallel Arm installation bracket.

Size	Door Width cm	Door Weight Kg	Adjustment
2	85	40	VC - GF
3	95	60	VC - GF
4	110	80	VC - GF

# Link arm door closers

## CT2500

CT2500 door closers stand out for their versatility and stylish design.

- » One model for three sizes: EN2, EN3 and EN4
- » Unique body and arm hole pattern for three sizes.
- » Maximum opening up to 180°
- » Sweep speed and latching speed fully adjustable with separate valves.
- » Backcheck valve to protect the door against violent openings.
- » CT2501: Includes adjustable hold open arm, for any door open position up to 180°.
- » Reversible, non handed.
- » Finishes: White (BL), Black (NE), Silver (PL).

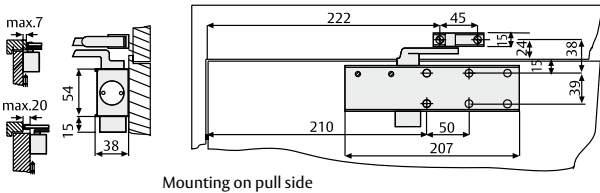
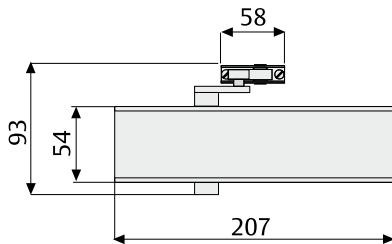
EN 1154 CERTIFIED  
Fire door



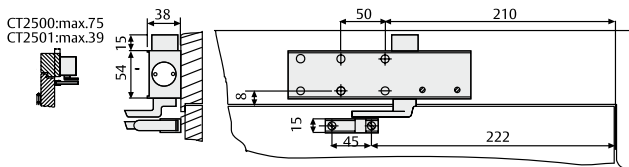
Classification according EN1154:1996+A1:2002

Standard arm transom mountings:

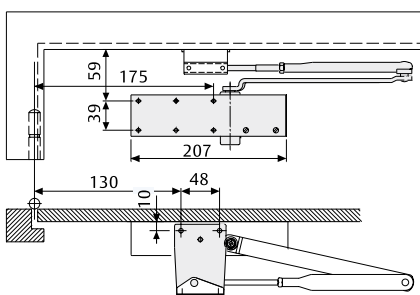
3 8 2/4 1 1 4



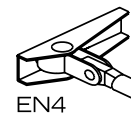
Mounting on pull side



Mounting on push side

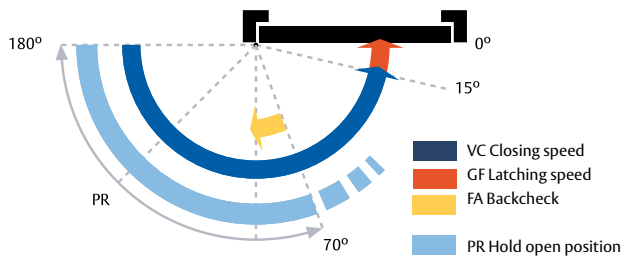


EN2-3




EN4

Size	Door Width cm	Door Weight Kg
2	85	40
3	95	60
4	110	80



Non hold open (EN1154 Certified)		
Size	Model	Finish
2 - 4	CT250034BL	White
2 - 4	CT250034NE	Black
2 - 4	CT250034PL	Silver

Hold open (Not suitable for fire doors)		
Size	Model	Finish
2 - 4	CT250134BL	White
2 - 4	CT250134NE	Black
2 - 4	CT250134PL	Silver

Paralell arm installation bracket		
	Model	Finish
	SOP2500BL	White
	SOP2500NE	Black
	SOP2500PL	Silver

The CT2500 and CT2501 are size 3 when paralell arm mounting is used.



# Link arm door closer

## CT2800

CT2800 door closers stand out for their versatility and stylish design.

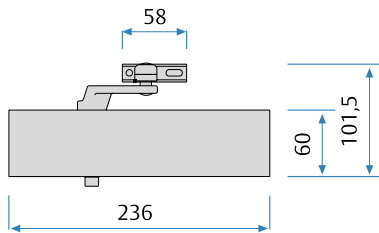
- » Classification according EN1154
- » Continuously adjustable size from EN2 to EN5.
- » Unique installation position for all door sizes.
- » For single action doors up to 1250 mm wide
- » Closing speed, latching speed and backcheck adjustable via front facing regulating valves
- » Maximum opening up to 180°
- » CT2801 Includes adjustable hold open arm, cannot be used with fire and smoke protection doors

EN 1154 CERTIFIED  
Fire door

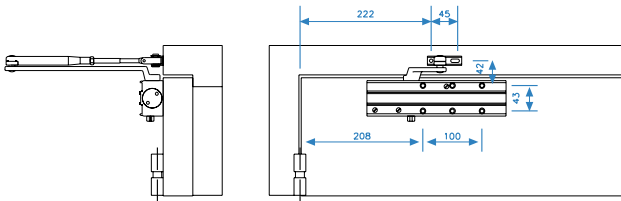


Classification according EN1154:1996+A1:2002

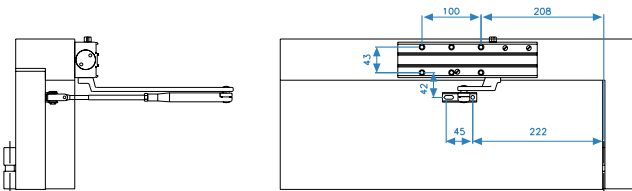
4 8 2/5 1 1 4



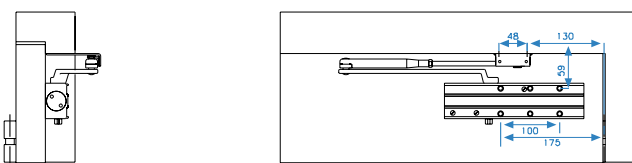
EN3/4/5



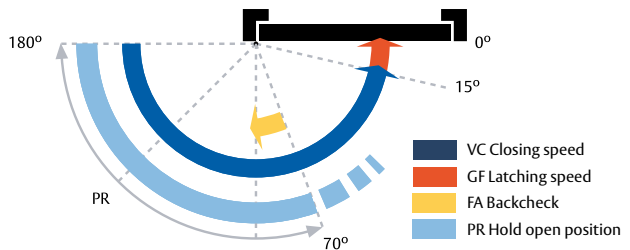
EN3/4/5



EN3/4



Size	Door width cm	Door weight kg
2	85	40
3	95	60
4	110	80
5	125	100



Non hold open (EN1154 certified)		
Size	Model	Finish
2-5	CT280025BL	White
2-5	CT280025NE	Black
2-5	CT280025OR	Gold
2-5	CT280025PL	Silver
2-5	CT280025IM	Stainless steel

Hold open arm (Not suitable for fire doors)		
Size	Model	Finish
2-5	CT280125BL	White
2-5	CT280125NE	Black
2-5	CT280125OR	Gold
2-5	CT280125PL	Silver

Soporte para instalación brazo paralelo		
Model	Finish	
SOP1800BL	White	
SOP1800NE	Black	
SOP1800OR	Gold	
SOP1800PL	Silver	



The CT2800 and CT2801 are size 3 when intalled in parallel arm

# Link arm door closers

## CT3000

CT3000 closers offer the most refined size and speed adjustment capability, an outstanding power adjustment scope and impressive hydraulic control for heavy doors up to 160 kg. These and other characteristics make it be the professional's choice for any heavy duty door subjected to high traffic volumes, wind draughts or even abuse.

» EN1154 certified: EN1154:1996+A1:2002

CT300036 with link arm: 4 8 2/6 1 1 4

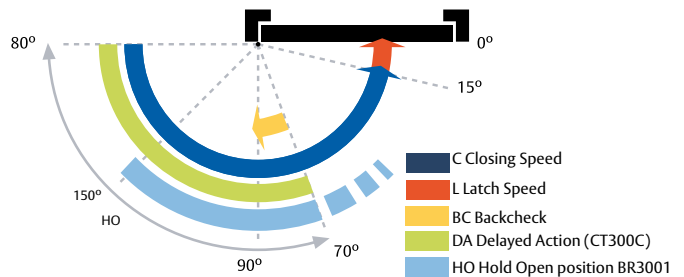
CT300036 with guide rail: 4 8 1/4 1 1 4

- » Continuously adjustable size from EN2 to EN6.
- » CT300036 combined with guide rails is size adjustable from EN1 to EN4.
- » Backcheck valve to protect the door against violent openings.
- » CT300C36 includes Delayed Action valve.
- » BR3001: Adjustable hold open arm.
- » Internal Safety Valves protect the closer mechanism and door environment from rough or abusive use thanks to, their pressure relief action.
- » Outstanding thermal behaviour. Working temperature: -35°C to 50°C

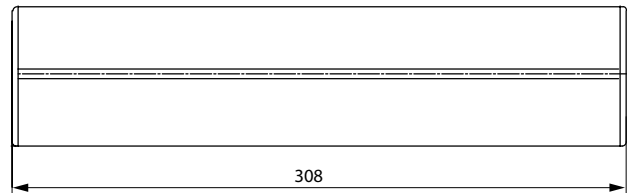
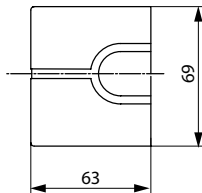


EN 1154 CERTIFIED

Fire door



Extendable height spindle 14 mm.



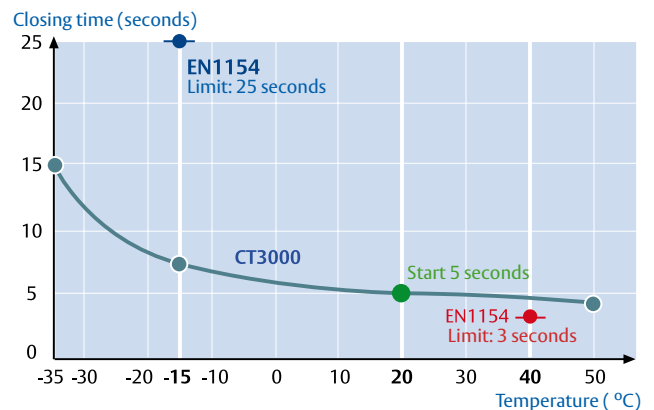
CT300036 - CT300C36				
Size	B.C (Back check)	D.A (Delayed action)	Model	Finish
2-6	Yes	-	CT300036BL	White
2-6	Yes	-	CT300036NE	Black
2-6	Yes	-	CT300036PL	Silver
2-6	Yes	-	CT300036IM	Stainless steel
2-6	Yes	Yes	CT300C36BL	White
2-6	Yes	Yes	CT300C36NE	Black
2-6	Yes	Yes	CT300C36PL	Silver
2-6	Yes	Yes	CT300C36IM	Stainless steel

Size (EN 1154)	Door width cm	Door weight Kg
2	85	40
3	95	60
4	110	80
5	125	100
6	140	120
7	160	160

### CT3000: Stable under any circumstance

Closing time versus temperature

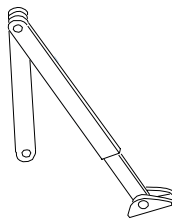


# Link arm door closers

## BN3000

Standard arm, for CT3000

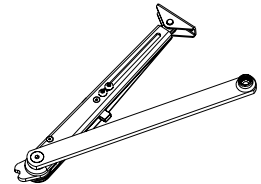
BN3000 Standard arm model	
Model	Finish
BN3000PL	Silver
BN3000IM	Stainless steel
BN3000NE	Black
BN3000BL	White



## BR3001

Hold open arm, for CT3000

BR3001 Hold open arm model	
Model	Finish
BR3001PL	Silver
BR3001NE	Black
BR3001BL	White



## GD300F

Height-adjustable guide rail, for CT3000, CT4500 and CT5000

Model	Finish
GD300FPL	Silver
GD300FIM	Stainless steel
GD300FNE	Black
GD300FBL	White



## GD3000

Standard guide rail, for CT3000, CT4500 and CT5000

Model	Finish
GD3000PL	Silver
GD3000NE	Black
GD3000BL	White



## MR3000

Hold open device for GD300F and GD300 guide rails. Max. Hold Open position: 150°. Includes Hold Open force adjustment.

Model	Finish
MR3000	-



## MT3000

Opening limit device for GD300F and GD300 guide rails. Max. door stop position: 150°.

Model	Finish
MT3000	-



# Link arm door closers

## CT300057

The powerful closer for big doors, keeping the continuously adjustable size capability for a smooth door opening.

» Certified with UNE-EN1154: 1996 + A1:2002

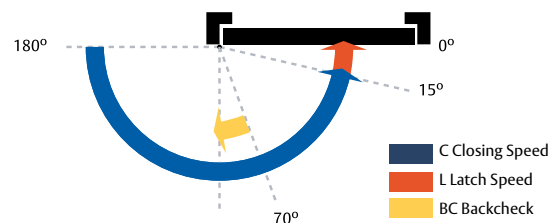
4 8 5/7 1 1 4

- » Adjustable size EN5-EN7.
- » Adjustable closing speed valve.
- » Adjustable latching speed valve.
- » Adjustable backcheck valve.
- » Double internal safety valves
- » Extendable spindle height 14 mm.
- » Same body size and external design as CT300036.
- » To be used with BN3057 only.

CT300057			
Size	B.C. (Backcheck)	Model	Finish
5 - 7	Si	CT300057BL	White
5 - 7	Si	CT300057NE	Black
5 - 7	Si	CT300057PL	Silver
5 - 7	Si	CT300057IM	Stainless steel

Size (EN 1154)	Door width cm	Weigth door Kg
5	125	100
6	140	120
7	160	160

EN 1154 CERTIFIED  
Fire door



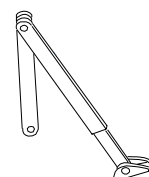
Expandable spindle height 14 mm.



## BN3057

Extra strong link arm for CT300057.

BN3057 extra strong arm	
Model	Finish
BN3057IM	Stainless steel
BN3057PL	Silver
BN3057NE	Black
BN3057BL	White



# Link arm door closers

## CT3000LE free swing function

Fire safety and maximum accessibility are finally binded together with CT3000LE

The CT3000LE is a must have in elderly residences, kindergartens and many health care environments.

» Certified with EN1154: 1996 + A1:2002

With BN3000 and BLE3000: 4 8 3/6 1 1 3

GD300F and GLE300F: 4 8 3/4 1 1 3

» Certified with EN1155: 1997 + A1:2002

With BN3000 and BLE3000: 3 8 3/6 1 1 3

GD300F and GLE300F: 3 8 3/4 1 1 3

- » The CT3000LE is equipped with an electro-hydraulic valve capable of blocking the internal fluid circuit. This can be used for free-swing function or for hold open function by choosing the appropriate arms or guide rails.
- » Adjustable size EN3-EN6 with link arms With BN3000 and BLE3000
- » Adjustable size EN3-4 with guide rails GD300F and GLE300F
- » Independent valve adjustment for closing and latching speeds.
- » Steel cover included with painted finish.
- » Zinc plated steel mounting plate included.
- » Extendable height spindle (14 mm.)
- » Double internal safety valves with pressure relief action.
- » Power supply: 24 VDC; 90 mA; polarity free connection.

EN 1154 CERTIFIED  
EN 1155 CERTIFIED  
Fire door



Model	Finish
CT3000LEBL	white
CT3000LENE	black
CT3000LEPL	silver

BLE3000 Free swing function	
Model	Finish
BLE3000PL	Silver
BLE3000NE	Black
BLE3000BL	White

GLE300F Free swing guide rail	
Model	Finish
GLE300FPL	Silver
GLE300FNE	Black
GLE300FBL	White

BN3000 Standard arm	
Model	Finish
BN3000PL	Silver
BN3000NE	Black
BN3000BL	White

GD300F Guide rail	
Model	Finish
GD300FPL	Silver
GD300FNE	Black
GD300FBL	White

When combined with link type arm BLE3000 or sliding guide rail GLE300F, the CT3000LE provides free-swing function: The spring is loaded in the first opening only. Then the door will swing freely, with no action from the door closer. Moving the door will require no effort at all. If the power supply is cut (for example, by the fire alarm) the CT3000LE “awakens” and will close the door wherever it is. It will work as a normal CT3000 door closer while the power is off.

When combined with standard arm BN3000 or standard guide rail GD300F, the CT3000LE provides Hold Open function: The door can be opened at any position (Min 70°) and it will stay open. If the door open position needs to be expanded, the door can be just pushed further, up to 160°. If the power supply is cut (for example, by the fire alarm) the CT3000LE “awakens” and will close the door wherever it is. It will work as a normal CT3000 door closer while the power is off.

CAC3000LE electric connection box	
Model	Finish
CAC3000LEBL	White

Electric connections box, recommended when the CT3000LE is mounted on the door leaf

# Sliding guide rail closers

## CT2300

EN 1154 CERTIFIED  
Fire door



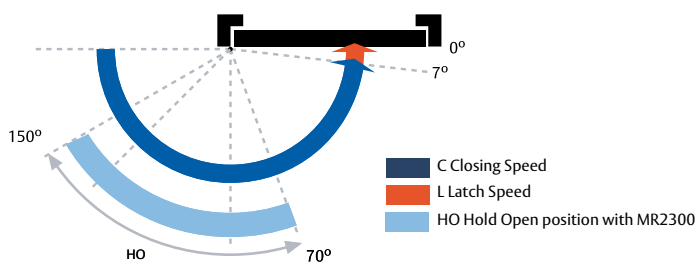
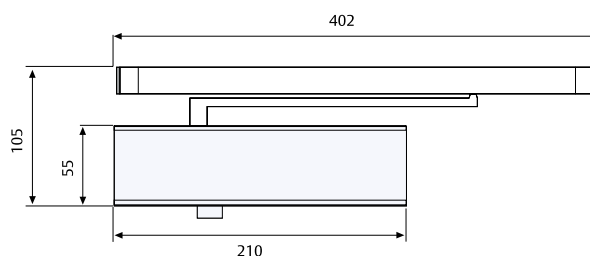
Slim design guide rail closer for Standard and Fire Doors of medium and high pedestrian traffic.

» EN 1154:1996 + A1:2002 certified:

Mounting at pull side:

4 8 3 1 1 3

- » Progressive rack and pinion mechanism for high efficiency and easy opening.
- » Two separate valves for closing and latching speed adjustment.
- » MR2300 Hold open module allows holding door open up to 120°.
- » Finishes: White (BL), Black (NE), Silver (PL)



Model	Finish
CT230023BL	White
CT230023NE	Black
CT230023PL	Silver

# Sliding guide rail closers

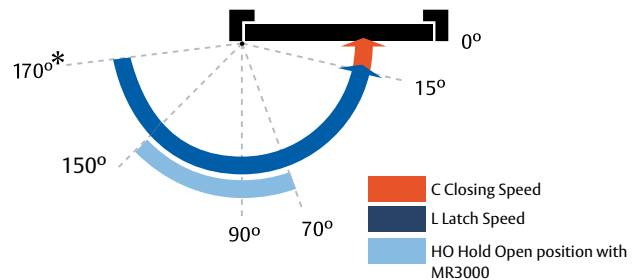
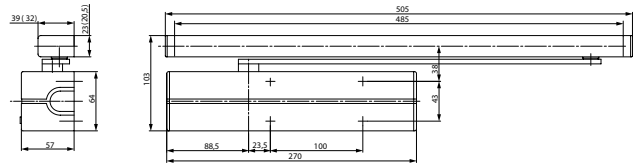
## CT4500

EN 1154 CERTIFIED  
Fire door 

Door closer with Cam-Motion® technology and height-adjustable guide rail GD300F or standard guide rail GD3000

- » Fulfills barrier-free building requirements (DDA / CEN TR 15894)
- » Certified in compliance with EN 1154, size 1-4
- » Suitable for fire and smoke protection doors
- » Can be used in four installation types: hinge and non-hinge sides in standard and frame installation
- » Axis continuously height adjustable up to 14 mm
- » Closing speed, latching speed and backcheck adjustable via front facing regulating valves
- » Internal safety valve with pressure relief action.

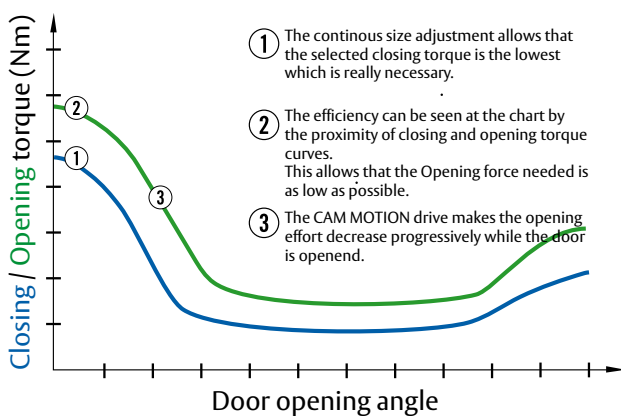
EN 1154:1996 + A1:2002 certified: **3 8 1/4 1 1 3**



\*When mounted at the PUSH side.

### The CAM MOTION drive:

CT4500 works with the exclusive symmetric CAM MOTION drive that the brilliant CT5000 has made famous. By achieving the highest efficiency and torque output characteristics, the CT4500 makes the door opening feel smooth as silk while assuring a reliable door closing under all circumstances. Approved for use in DEC environment like Elderly homes, health care facilities and kindergartens. (DEC= Disabled, Elderly and Children)



Size (EN 1154)	Door width cm	Door weight Kg
1	75	20
2	85	40
3	95	60
4	110	80

Model	Size	Finish
CT450014BL	1 - 4	White
CT450014NE	1 - 4	Black
CT450014PL	1 - 4	Silver
CT450014IM	1-4	Stainless steel

# Sliding guide rail closers

## CT5000

EN 1154 CERTIFIED  
Fire door

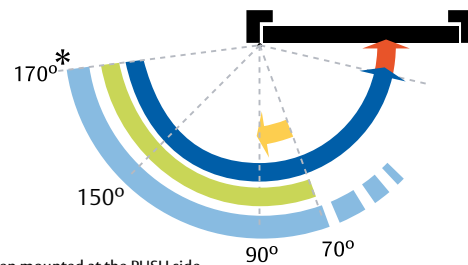
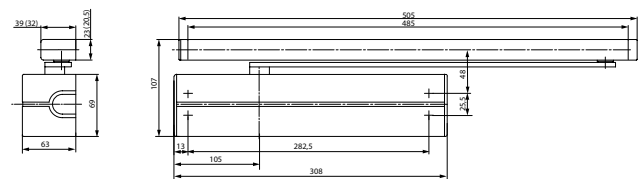


The full featured architectural grade closer that has revolutionized the concept of door closing.

- » Size is continuously adjustable EN1-EN6. The widest size scope achievement ever with a sliding guide closer.
- » The symmetric CAM MOTION mechanism provides universal versatility, allowing all mounting possibilities with a single model.
- » Independent valve adjustment for closing and latching speeds.
- » Independent valve adjustment for Backcheck that provides door protection.
- » Extendable height spindle (14 mm.)
- » Internal safety valve with pressure relief action.

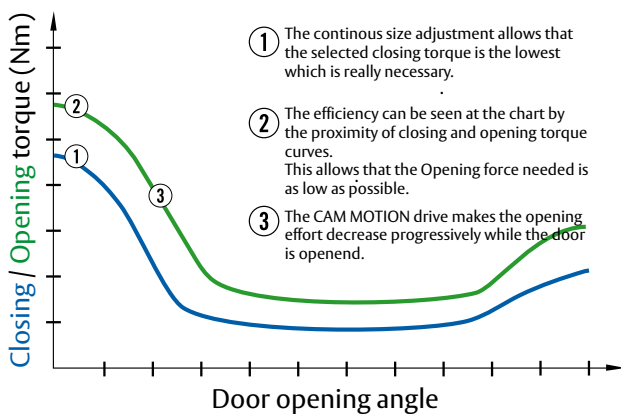


EN 1154:1996 + A1:2002 certified: 3 8 1/6 1 1 3



\*When mounted at the PUSH side

- L Latch Speed
- C Closing speed
- BC Backcheck
- HO Hold Open position with MR3000
- Delayed guide action (CT500C26)



Size (EN 1154)	Door width cm	Door weigth Kg
1	75	20
2	85	40
3	95	60
4	110	80
5	125	100
6	140	120

CT500026 - CT500C26				
Size	Backcheck	Delayed action	Model	Finish
1 - 6	Si	-	CT500026BL	White
1 - 6	Si	-	CT500026NE	Black
1 - 6	Si	-	CT500026PL	Silver
1 - 6	Si	-	CT500026IM	Stainless steel
1 - 6	Si	Yes	CT500C26BL	White
1 - 6	Si	Yes	CT500C26NE	Black
1 - 6	Si	Yes	CT500C26PL	Silver
1 - 6	Si	Yes	CT500C26IM	Stainless steel



# Sliding guide rail closers

## GD300F

Height-adjustable guide rail, for CT3000, CT4500 and CT5000

Model	Finish
GD300FPL	Silver
GD300FIM	Stainless steel
GD300FNE	Black
GD300FBL	White



## GD3000

Standard guide rail, for CT3000, CT4500 and CT5000

Model	Finish
GD3000PL	Silver
GD3000NE	Black
GD3000BL	White



## MR3000

Hold open device for GD300F and GD3000 guide rails. Max. Hold Open position: 150°. Includes Hold Open force adjustment.

Model	Finish
MR3000	-



## MT3000

Opening limit device for GD300F and GD3000 guide rails. Max. door stop position: 150°.

Model	Finish
MT3000	-



# Sliding guide rail closers

## CT5700

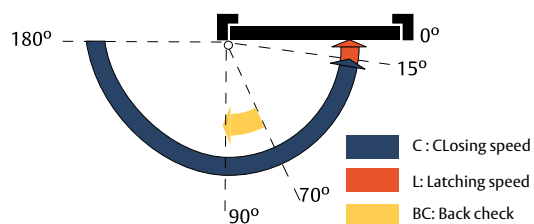
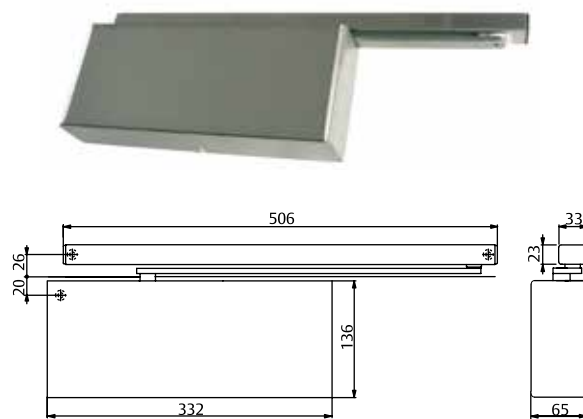
Slide track closer for large doors.

- » Continuous size adjustment from 5 to 7.
- » Double mechanism acting over one spindle. Able to control the motion of doors weighing up to 400 kg.
- » Including pre-installation over steel mounting plate and custom stainless steel cover.
- » Two separate valves for closing and latching speeds.
- » To be installed with the GD300F slide track, which is ordered separately.
- » Fully reversible.

CT5700				
Size	B.C (Back check)	D.A (Delayed action)	Model	Finish
5 - 7	Si	-	CT570057	PL - IM

Guide rails	
Model	Finish
GD300F	PL - IM

Size (EN 1154)	Door width cm	Door weight Kg	Adjustment
5	125	400	VC - GF - FA
6	140	400	VC - GF - FA
7	160	400	VC - GF - FA



# Sliding guide rails for CT5000

## GD15EM

EN 1154 CERTIFIED  
Fire door



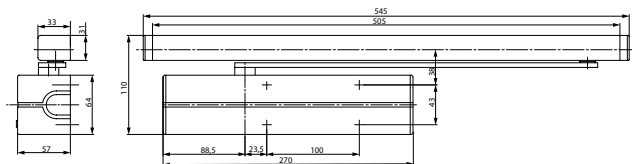
Sliding guide rail for CT5000 and CT4500 with integrated Electro Mechanical door hold open.

Hold open function can be connected to the fire alarm so that the door will immediately close in case of fire.

» Classification with EN1155:1997 + A1:2002

3 8 3/6 1 1 3

- » Adjustable Hold Open position 70°-130°
- » Adjustable Hold open strength by potentiometer.
- » Power supply 24VDC, 60 mA. Quick and easy connection, polarity free.
- » Fully reversible for PULL and PUSH side mounting.

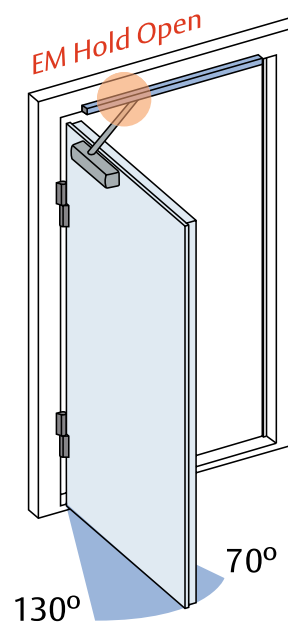


### GD15EM guide rail

GD15EMIM	Stainless steel
GD15EMPL	Silver
GD15EMNE	Black
GD15EMBL	White



GD15EM with CT4500



# Sliding guide rails for CT5000

## GD25SC

EN 1158 CERTIFIED  
Fire door



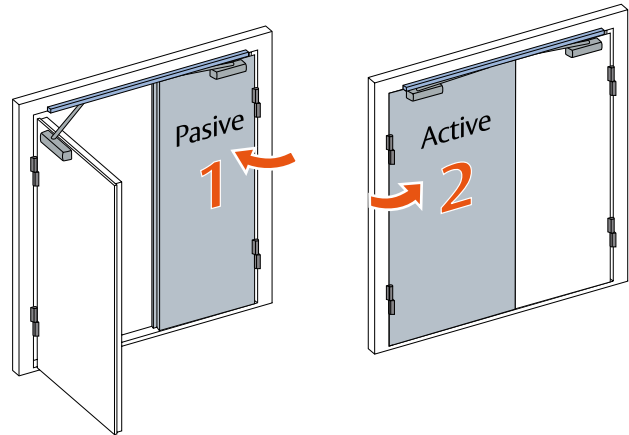
The architectural choice for safe double doors with slim desing and superior performance and durability.

- » Sliding guide rail set for CT5000 and CT4500 with integrated » Closing Sequence selection for double doors.
- » The first door to close will be the Pasive, as the Active door will be prevented from closing by the selection mechanism until the Pasive leaf is fully closed.

Classification with EN1158:1997 + A1:2002

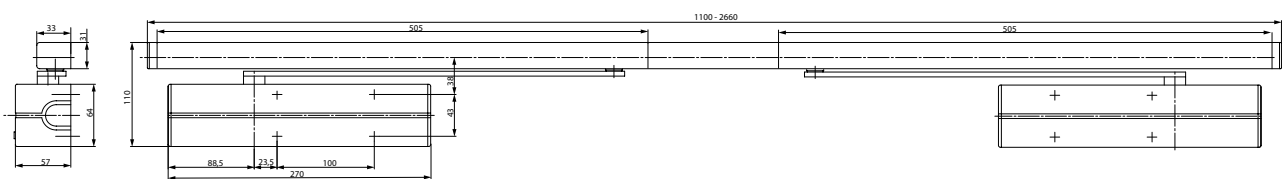
3 8 3/6 1 1 3

- » Maximum door opening: Pull side
  - 150° at the Active side
  - 170° at the Inactive side
- » Fully reversible for right or left handed doors and PULL or PUSH side monting.
- » The accessory ACB25 must be used for mounting at the PUSH side.
- » For double doors from 1250 to 2800 mm. at the PULL side
- » For double doors from 1400 to 2800 mm. at the PUSH side.




GD25SC guide rail	
GD25SCIM	Stainless steel
GD25SCPL	Silver
GD25SCNE	Black
GD25SCBL	White

Dimensions of GD25SC, GD25EM1 and GD25EM2



# Sliding guide rails for CT5000

EN 1155 CERTIFIED  
EN 1158 CERTIFIED  
Fire door 

## GD25EM1



The architectural choice for safe double doors with slim desing and superior performance and durability.

- » Sliding guide rail set for CT5000 and CT4500 with integrated Closing Sequence selection and Electro-Mechanical door Hold Open for double doors.
- » The first door to close will be the Pasive, as the Active door will be prevented from closing by the selection mechanism until the Pasive leaf is fully closed.

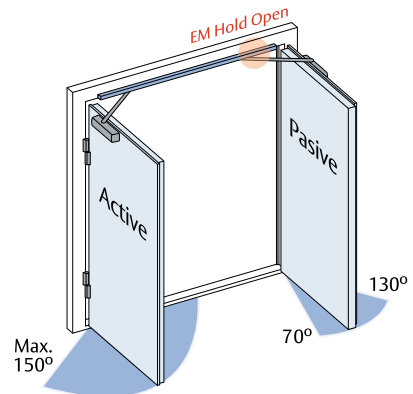
» Classification with EN1158:1997 + A1:2002

3 8 3/6 1 1 3

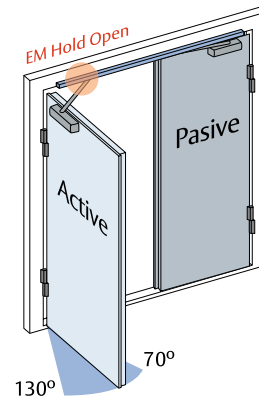
» Classification with EN1155:1997 + A1:2002

3 8 3/6 1 1 3

- » One EM hold open set is pre-assembled in the Pasive side guide rail which allows keeping both doors open at the same time.
- » If keeping open the Active door only is preferred then the EM Hold Open set can be easily changed to the Active side guide rail.
- » Adjustable Hold Open position 70°-130°
- » Adjustable Hold open strength by potentiometer.
- » Integrated Safety switch that avoids door or product damage if the Active door is forced to close manually. Any manual closing attempt on the Active leaf is detected and the Hold Open device is released immediately, thus assuring a correct and safe closing of both doors.
- » Power supply 24VDC, 60 mA. Quick and easy connection, polarity free.
- » Fully reversible for right or left handed doors and PULL or PUSH side monting.
- » The accessory ACB25 must be used for mounting at the PUSH side.
- » For double doors from 1250 to 2800 mm. at the PULL side.
- » For double doors from 1400 to 2800 mm. at the PUSH side.



Factory setting with EM Hold Open at the Pasive door



Changing the EM Hold Open to the Active side

GD25EM1 guide rail	
GD25EM1IM	Stainless steel
GD25EM1PL	Silver
GD25EM1NE	Black
GD25EM1BL	White



# Sliding guide rails for CT5000

## GD25EM2

EN 1155 CERTIFIED  
EN 1158 CERTIFIED  
Fire door



The architectural choice for safe double doors with slim desing and superior performance and durability.

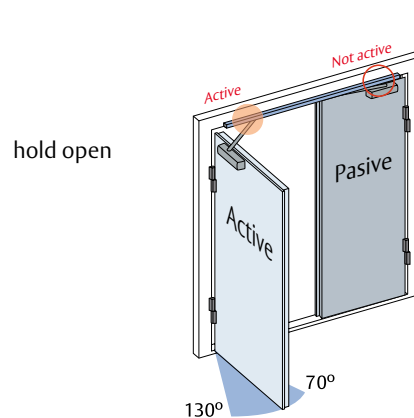
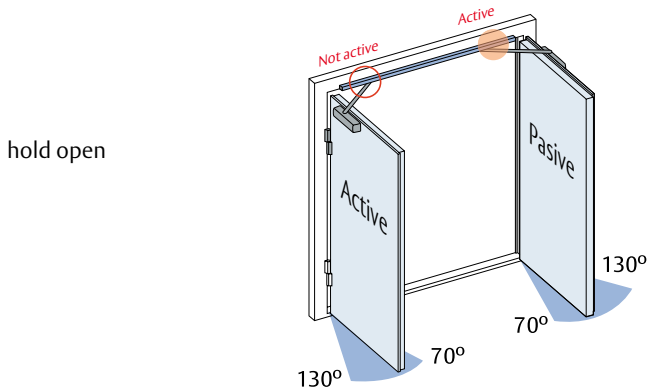
- » Sliding guide rail set for CT5000 and CT4500 with integrated » Closing Sequence selection for double doors.
- » The first door to close will be the Pasive, as the Active door will be prevented from closing by the selection mechanism until the Pasive leaf is fully closed.

GD25EM2 guide rail	
Model	Finish
GD25EM2IM	Stainless steel
GD25EM2PL	Silver
GD25EM2NE	Black
GD25EM2BL	White

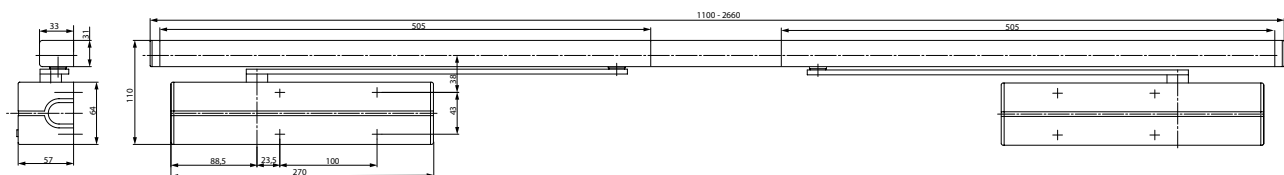
Classification with EN1158:1997 + A1:2002

3 8 3/6 1 1 3

- » Maximum door opening: Pull side
  - 150° at the Active side
  - 170° at the Inactive side
- » Fully reversible for right or left handed doors and PULL or PUSH side monting.
- » The accessory ACB25 must be used for mounting at the PUSH side.
- » For double doors from 1250 to 2800 mm. at the PULL side
- » For double doors from 1400 to 2800 mm. at the PUSH side.



Dimensions for GD25SC, GD25EM1 and GD25EM2



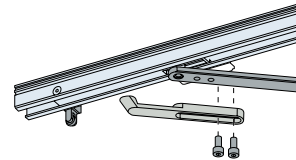
# Accessories for GD25SC, GD25EM1 and GD25EM2

## ACB25

ACB25 is an accessory that must be used for PUSH side mounting with the GD25SC, GD25EM1 and GD25EM2 guide rails for double doors.

- » It is a set with a trigger hook and a roller to be fitted at the guide rail at the pasive door.

ACB25 hook arm	
Model	Finish
ACB25IM	Stainless steel
ACB25PL	Silver
ACB25NE	Black
ACB25BL	White



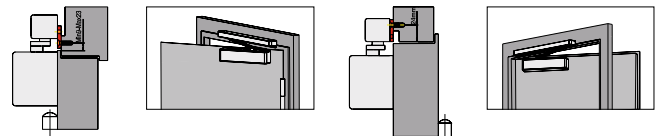
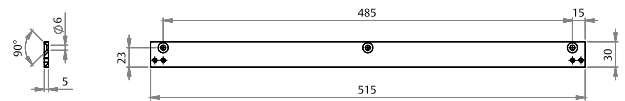
ACB25 hook is mounted in the arm of the door closer in passive leaf

## APGD25

Flat type mounting plate for the GD15EM and GD25SC, GD25EM1 and GD25EM2 guide rails.

- » They make installation easier, specially when frames are narrow.

Model	Finish
APGD25PL	Silver

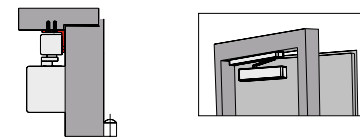
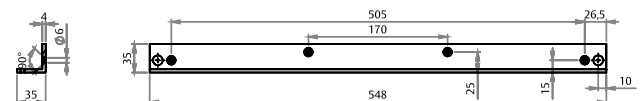


## ALGD25

Angle mounting plate for GD15EM and GD25SC, GD25EM1 and GD25EM2 guide rails.

- » Specially suited for installation at the push side, allowing the guide rails to be fitted underneath deep frames or ceilings.

Model	Finish
ALGD25PL	Silver

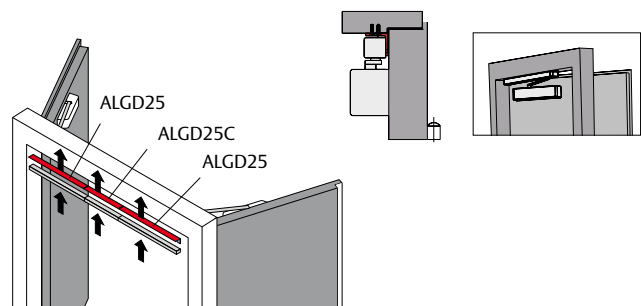
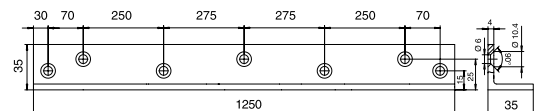


## ALGD25C

Angle mounting plate with a plain frontal face, without holes.

- » ALGD25C is cut to the needed length for completing the installations at the PUSH side when ALGD25 have been used for the guide rails.

Model	Finish
ALGD25CPL	Silver



# Concealed doorclosers

## TEX703

Concealed door closer

EN 1154 CERTIFIED

Fire door



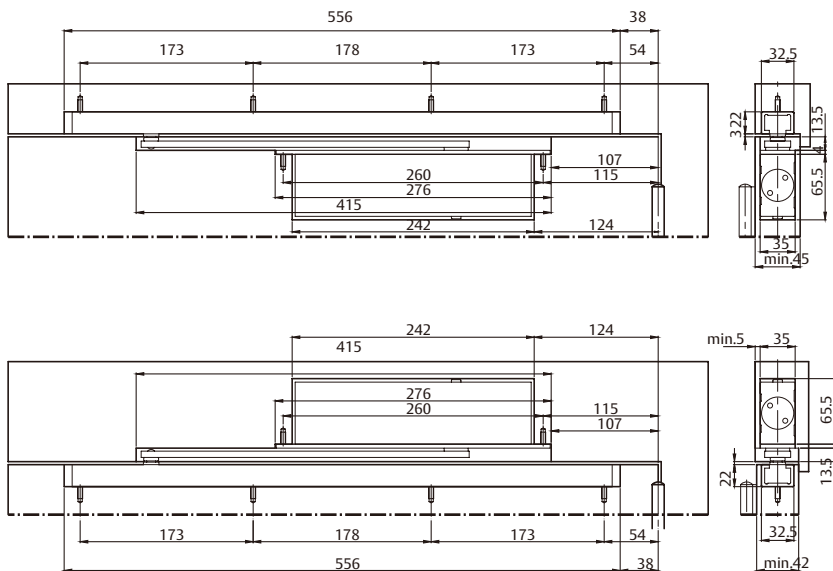
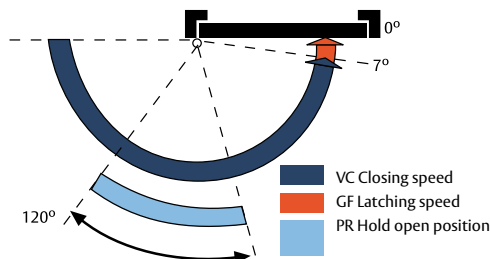
» Classification with EN1154:1996 + A1:2002

3 8 3 1 1 4

- » TEX703 model is ideal for door width of 95 cms. and can be used in Fire Doors.
- » The closer body and guide rail are supplied together in a single package.
- » Independent valve adjustment for closing and latching speeds
- » Optional Hold Open function can be obtained ordering the MR2300 Hold Open module. (Max. 120°)



Model	EN Size	Door width	Door weight	Adjustments	Finish
TEX703	3	95	60	VC - GF	Silver
MR2300	Hold open module	-	-	-	-





# Concealed doorclosers

## TEX14

EN 1154 CERTIFIED

Fire door



The architectural grade concealed closer offering superior performance and aesthetics.

» Size is continuously adjustable EN1-EN4

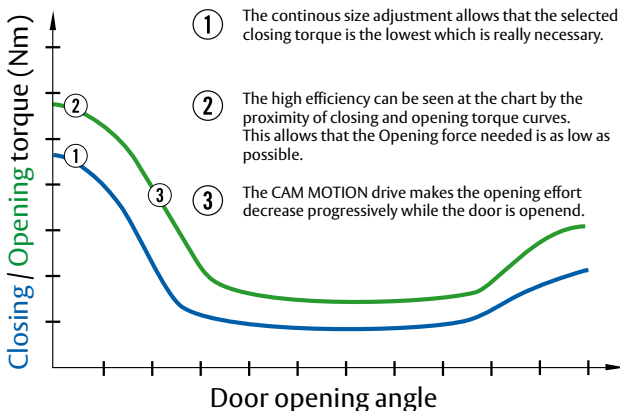
Classification with EN1154: 1996 + A1: 2002

3 8 4/1 1 1 3

- » Suitable for almost any aluminium door thanks to the small cross section: 32 x 42 mm
- » Suitable for any wooden door with thickness from 40 mm.
- » The symmetric CAM MOTION mechanism provides UNIVERSAL versatility, allowing quick and easy mounting in any door.
- » Independent valve adjustment for closing and latching speeds.
- » Internal safety valve with pressure relief action.
- » Compatible for use with the GDSEM, GD2XSC and GD2XEM guide rail system for the widest solutions range in single or double Fire Door equipment.

### The CAM MOTION drive:

- » The TEX14 works with the exclusive symmetric CAM MOTION drive that the brilliant CT5000 has made famous.
- » By achieving the highest efficiency and torque output characteristics, the TEX14 makes the door opening feel smooth as silk while assuring a reliable door closing under all circumstances.
- » Approved for use in DEC environment like Elderly homes, health care environments and kindergartens.  
(DEC= Disabled, Elderly and Children)



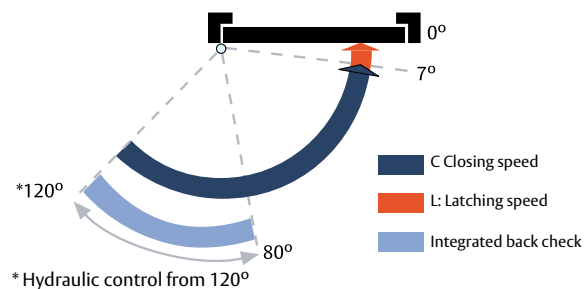
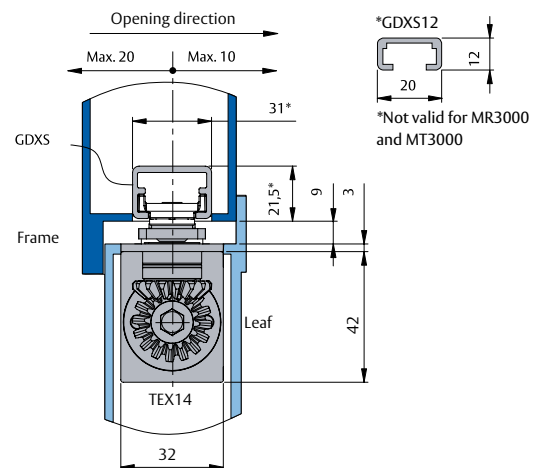
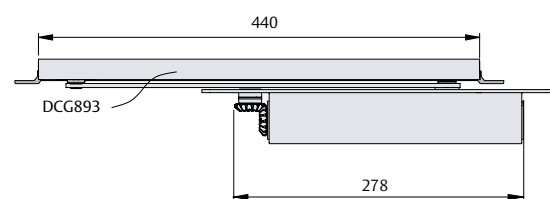
Size (EN 1154)	Door width cm	Door weight Kg	Adjustments
1 - 4	70 - 110	20 - 80	VC - GF

Product code	Description	Finish
TEX14	Concealed doorcloser EN1-4	PL
GDXSPL	Guide rail 31x21	PL
GDXS12PL	Guide rail 20x12	PL

Accessories	Description
PLATEX	Mounting KIT for TEX14
MR3000	Hold open device for GDXS
MT3000	Opening damper GDXS

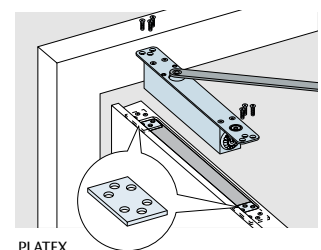


TEX14 with GDXS12




### PLATEX

Kit of two mounting plates for metal doors. They allow that the closer installation is flush with the door top surface.



# Concealed doorclosers

## TEX26

EN 1154 CERTIFIED  
Fire door 

The architectural grade concealed closer offering superior performance and aesthetics.

» Size is continuously adjustable EN1-EN5

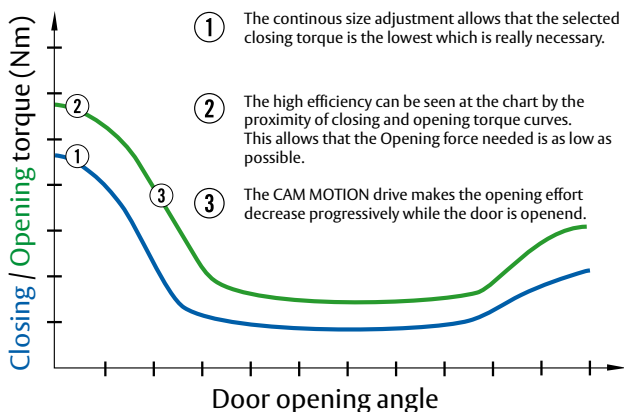
Classification with EN1154: 1996 + A1: 2002

3 8 5/1 1 1 3

- » Suitable for many aluminium door thanks to the cross section of 40 x 51 mm
- » Suitable for any wooden door with thickness from 50 mm.
- » The symmetric CAM MOTION mechanism provides UNIVERSAL versatility, allowing quick and easy mounting in any door.
- » Independent valve adjustment for closing and latching speeds.
- » Integrated Backcheck effect (not adjustable by valve)
- » Internal safety valve with pressure relief action.
- » Compatible for use with the GDSEM, GD2XSC and GD2XEM guide rail system for the widest solutions range in single or double Fire Door equipment.

### The CAM MOTION drive:

- » The TEX26 works with the exclusive symmetric CAM MOTION drive that the brilliant CT5000 has made famous.
- » By achieving the highest efficiency and torque output characteristics, the TEX14 makes the door opening feel smooth as silk while assuring a reliable door closing under all circumstances.
- » Approved for use in DEC environment like Elderly homes, health care environments and kindergartens.  
(DEC= Disabled, Elderly and Children)



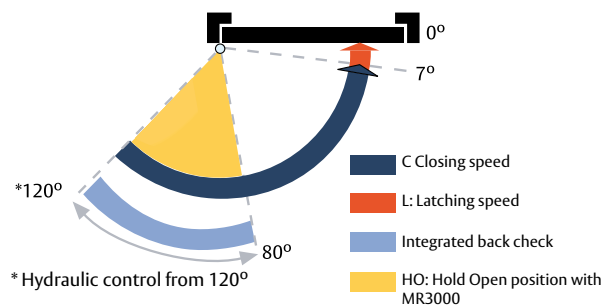
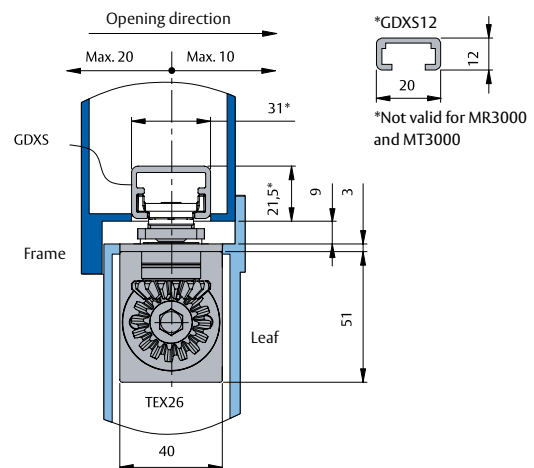
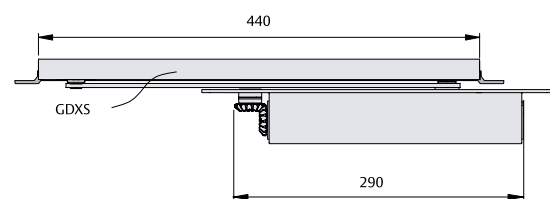
Size (EN 1154)	Door width cm	Door weight Kg	Adjustments
1 - 5	70 - 125	20 - 100	VC - GF

Product code	Description	Finish
TEX26	Concealed doorcloser EN1-5	PL
GDXSPL	Guide rail 31x21	PL
GDXS12PL	Guide rail 20x12	PL

Accessories	Description
PLATEX	Mounting KIT for TEX26
MR3000	Hold open device for GDXS
MT3000	Opening damper GDXS

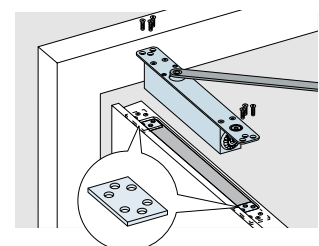


TEX26 with GDXS



### PLATEX

Kit of two mounting plates for metal doors. They allow that the closer installation is flush with the door top surface.



# Concealed doorclosers

## GDXEM

Sliding guide rail with Electro-Mechanical Hold Open for concealed closers TEX14 - TEX26.  
Designed for concealed installation in the frame for excellent aesthetics.

Classification with EN1155:1997 + A1:2002

3 8 3/6 1 1 3

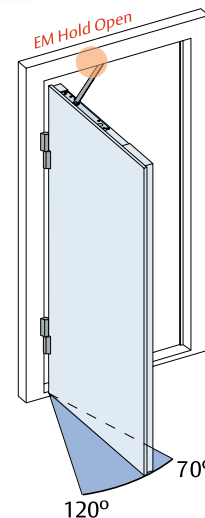
- » GDXEM allows holding the door open at any angle from 70° to 120°.
- » GDXEM will release the door to be closed if there is a Fire alarm.
- » Quick and easy Hold Open position setting and adjustable door holding strength by potentiometer.
- » Power supply 24 VDC, 60 mA. Quick and easy connection, polarity free.
- » Non handed, valid for right or left handed doors.

Model	Finish
GDXEMPL	Silver

EN 1155 CERTIFIED  
Fire door 



TEX26 with GDXEM



## GD2XSC

Sliding guide rail with integrated Closing Sequence selection for double doors with concealed closers TEX14 - TEX26.  
Designed for concealed installation in the frame for excellent aesthetics.

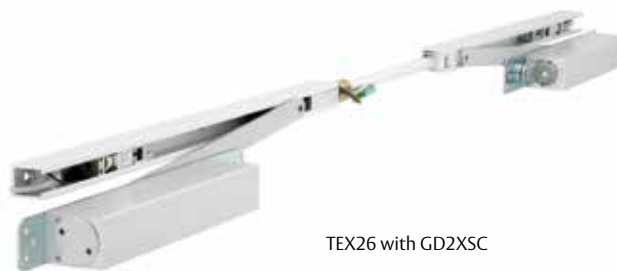
Classification with EN1155:1997 + A1:2002

3 5 3/6 1 1 0

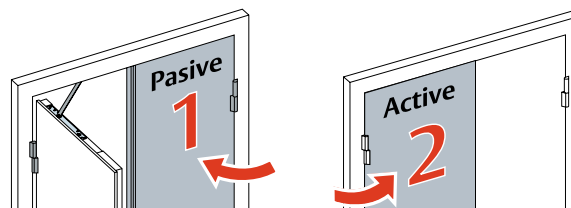
- » The first door to close will be the Pasive, as the Active
- » Door is prevented from closing by the selection mechanism until the Pasive leaf is almost closed.
- » Fully reversible for right or left handed door sets.
- » For double doors from 1350 to 2800 mm.

Model	Finish
GD2XSCPL	Silver

EN 1158 CERTIFIED  
Fire door 



TEX26 with GD2XSC



# Concealed doorclosers

## GD2XEM1

Sliding guide rail with integrated Closing Sequence selection and Electro-Mechanical door Hold Open function for double doors with concealed closers TEX14 - TEX26. Designed for concealed installation in the frame for excellent aesthetics.

Classification with EN1158:1997 + A1:2002

3 5 3/6 1 1 0

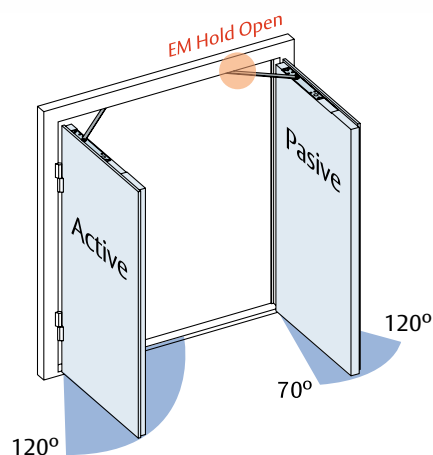
Classification with EN1155:1997 + A1:2002

3 5 3/6 1 1 0

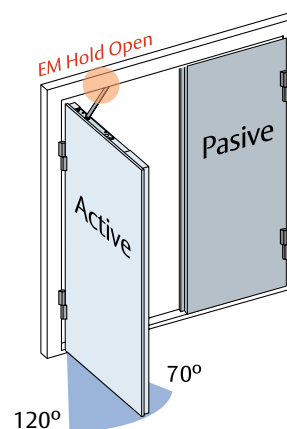
- » The first door to close will be always the Pasive, followed by the Active leaf.
- » The Active door is prevented from closing by the selection mechanism until the Pasive leaf is almost closed.
- » One EM hold open set is pre-assembled in the Pasive side guide rail which allows holding both doors open at the same time.
- » If holding open the Active door only is preferred then the EM Hold Open device can be easily changed to the Active side guide rail.
- » Adjustable Hold Open position 70°-120°
- » Adjustable Hold open strength by potentiometer.
- » Integrated Safety switch that avoids door or product damage if the Active door is forced to close manually. Any manual closing attempt on the Active leaf is detected and the Hold Open device is released immediately, thus assuring a correct and safe closing of both doors.
- » Power supply 24VDC, 60 mA. Quick and easy connection, polarity free.
- » Fully reversible for right or left handed doors.
- » For double doors from 1350 to 2800 mm.

Model	Finish
GD2XEM1PL	Silver

EN 1155 CERTIFIED  
EN 1158 CERTIFIED  
Fire door



Factory setting with EM Hold Open at the Pasive door



Changing the EM Hold Open to the Active side

# Concealed doorclosers

## GD2XEM2

Sliding guide rail with integrated Closing Sequence selection and Electro-Mechanical door Hold Open function for double doors with concealed closers TEX14 - TEX26. Designed for concealed installation in the frame for excellent aesthetics.

Classification with EN1158:1997 + A1:2002

3 5 3/6 1 1 0

Classification with EN1155:1997 + A1:2002

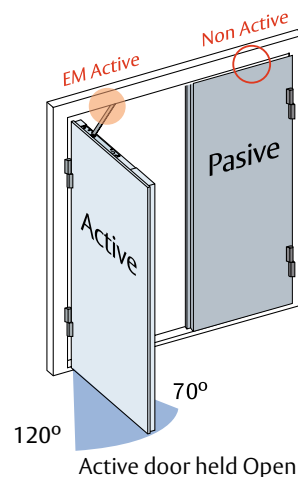
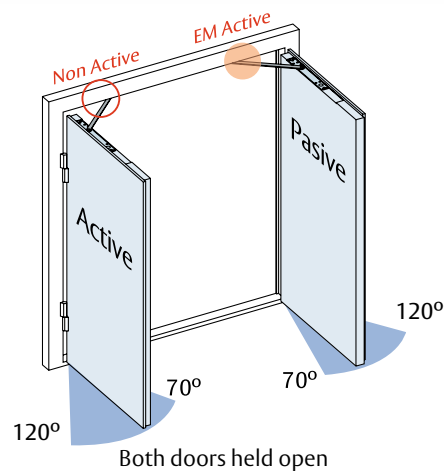
3 5 3/6 1 1 0

The first door to close will be always the Pasive leaf, followed by the Active leaf.

- » The Active door is prevented from closing by the selection mechanism until the Pasive leaf is almost closed.
- » Two EM hold open devices are pre-assembled in both the Pasive and Active side guide rails.
- » GD2XEM2 allows having both doors open or just the Active door open only.
- » Integrated Safety switch that avoids door or product damage if the Active door is forced to close manually. Any manual closing attempt on the Active leaf is detected and the Hold Open device is released immediately, thus assuring a correct and safe closing of both doors.
- » Adjustable Hold Open position 70°-120°
- » Adjustable Hold open strength by potentiometer.
- » Power supply 24VDC, 60 mA. Quick and easy connection, polarity free.
- » Fully reversible for right or left handed doors.
- » For double doors from 1350 to 2800 mm.

Model	Finish
GD2XEM2PL	Silver

EN 1155 CERTIFIED  
EN 1158 CERTIFIED  
Fire door



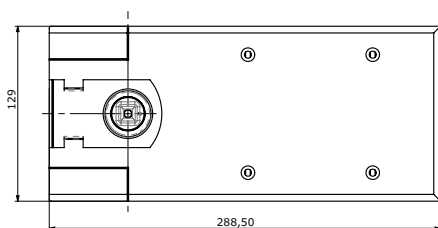
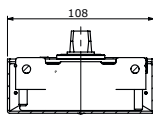
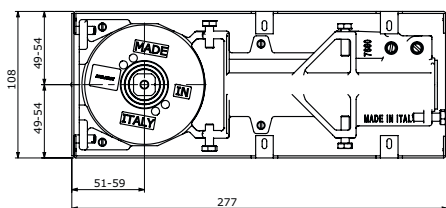
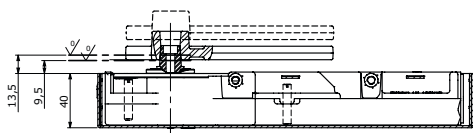
# Floor springs

## CTSU80

- » Floor spring with fixed closing force for very thin slabs
- » Certified in compliance with EN 1154, size 3 or 4
- » Suitable for fire and smoke protection doors
- » For double and single action doors up to 120 kg

### Characteristics CTSU80

- » Same dimensions for 2 bodies according to fixed size EN3, EN4
- » Hydraulic control over 130° in both door swing directions
- » Adjustable door speed and latching speed from top regulating valves
- » Cast iron body
- » Adjustments in all directions within the cement box
- » Cement box hot zinc plated and only 40 mm high
- » Cover plates and eyelets made in polished or satin stainless steel
- » Interchangeable spindle from 0 + 30 mm
- » Available with hold-open at 90°, 105° and without hold-open



EN 1154 CERTIFIED  
Fire door



Description	Product code
CTSU80 Floorspring size 3 without Hold-Open	CTSU803SRST
CTSU80 Floorspring size 3 with Hold-Open at 90°	CTSU803R0ST
CTSU80 Floorspring size 3 with Hold-Open at 105°	CTSU803R5ST
CTSU80 Floorspring size 4 without Hold-Open	CTSU804SRST
CTSU80 Floorspring size 4 with Hold-Open at 90°	CTSU804R0ST
CTSU80 Floorspring size 4 with Hold-Open at 105°	CTSU804R5ST
Cover Plate for CTSU80 Satin Stainless Steel	TACTSU80IM
Cover Plate for CTSU80 Polished Stainless Steel	TACTSU80IB
Detachable Italian Spindle h = 0 mm	PIC150
Detachable Italian Spindle h = 5 mm	PIC151
Detachable Italian Spindle h = 10 mm	PIC152
Detachable Italian Spindle h = 15 mm	PIC153
Detachable Italian Spindle h = 20 mm	PIC154
Reversible bottom arm in steel for double action doors. Socket for Italian Spindle	BRI300VHZ
Double action top pivot	BRS300VHZ
Bottom arm in steel for single action doors, 36 mm offset. Socket for Italian spindle. ABS cover in silver	BRI301PL
Right and left top arm in full steel, 36 mm offset. ABS cover in silver	BRS301PL

# Floor springs


## CTSU100

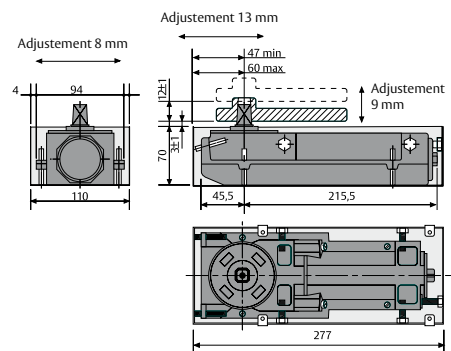
The TESA ASSA ABLOY CTSU100 is the most versatile model for door width up to 110 mm and weight up to 170 kg.

» Classification EN1154: 1996 + A1: 2003

CTSU100SR: 3 8 2/4 1 1 4

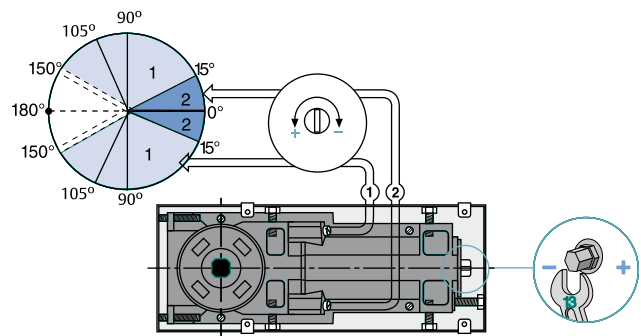
- » Reversible and suitable for single and double action doors.
- » Continuously adjustable size from EN2 to EN4.
- » Two independent valves for closing speed and latching speed adjustments.
- » Internal HO system. Two models available: with HO at 90° (R0) or 105° (R5). Both Hold Open models allows leaving the door open at any angle from 150° to 180° (free swing zone).
- » Non Hold Open model (SR) features a back stop at 150°.
- » Interchangeable spindle
- » Closing speed is controlled from 150° of opening.

EN 1154 CERTIFIED  
Fire door 



Size (EN 1154)	Door width cm	Door weight Kg
2	85	170
3	95	170
4	110	170

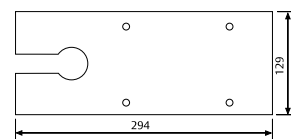
Model	Size	Hold open	Product code
CTSU100	2-4	No hold open	CTSU100SRST
CTSU100	2-4	90° hold open	CTSU100R0ST
CTSU100	2-4	105° hold open	CTSU100R5ST



## TACTSU100

Cover for the CTSU100.

Model	Finish
TACTSU100IM	Stainless steel
TACTSU100IB	Polished stainless steel
TACTSU100LP	Brass



# Floor springs

## CTS300

EN 1154 CERTIFIED  
Fire door 

The TESA ASSA ABLOY CTS300 door closer is the most powerful floor spring, capable of controlling the motion of doors weighing up to 300 kg.

» Classification EN1154: 1996 + A1: 2003

CTS300SR: **3** **8** **3/6** **1** **1** **4**

- » Reversible and suitable for single or double action doors.
- » Continuous size adjustment from EN3 to EN6.
- » Two independent valves for closing speed and latching speed adjustments.
- » Internal backcheck for door protection.
- » Internal HO system. Two models available: with HO at 90° (R0) or 105° (R5).
- » Interchangeable spindle.
- » Closing speed is controlled from 175° of opening.

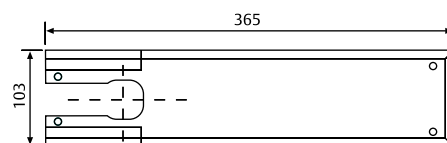
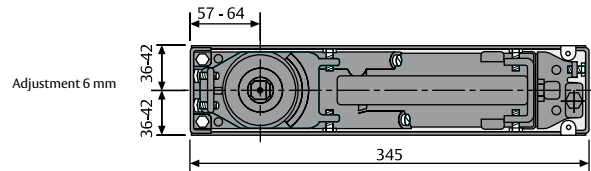
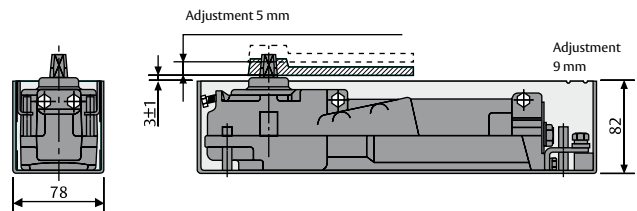
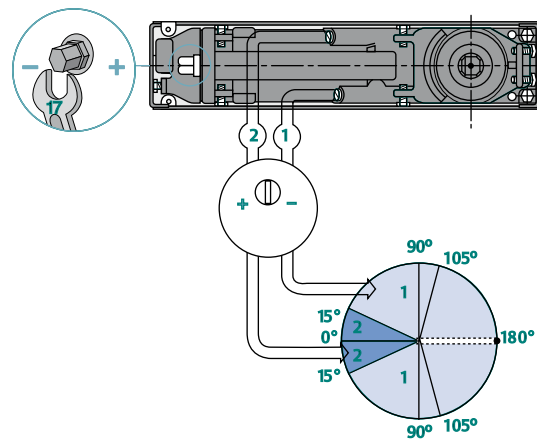
Size (EN 1154)	Door width cm	Door weight Kg
3	95	300
4	110	300
5	125	300
6	140	300

Model	Size	Hold open	Product code
CTS300	EN 3-6	No hold open	CTS300SRST
CTS300	EN 3-6	90° hold open	CTS300R0ST
CTS300	EN 3-6	105°	CTS300R5ST

## TACTSU300

Cover for the CTS300

Model	Finish
TACTSU300IM	Stainless steel
TACTSU300IB	Polished stainless steel
TACTSU300LP	Brass

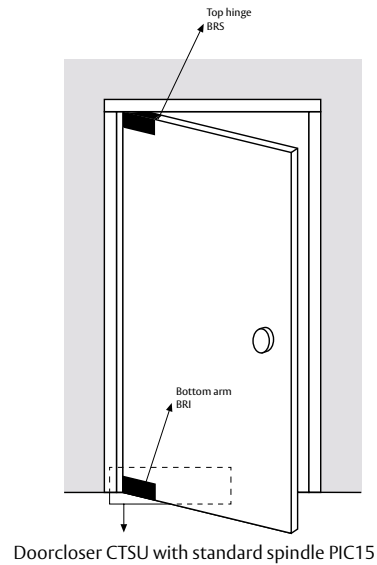




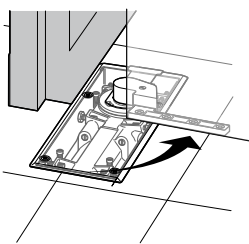
# Hinges for metal and wooden doors

The installation of a door with CTSU floor springs is completed with:

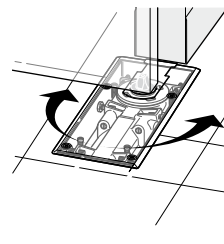
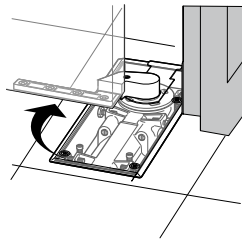
- » Spindle: PIC15 is the standard spindle.
- » Bottom arm: The spindle coupling is square for PIC15 as a standard for all bottom arms. If any other spindle coupling is required, it has to be specified when ordering.
- » Top hinge: Set of door leaf and frame parts in order to provide a top rotating pivot to the door. Always reversible.



## Bottom arm types

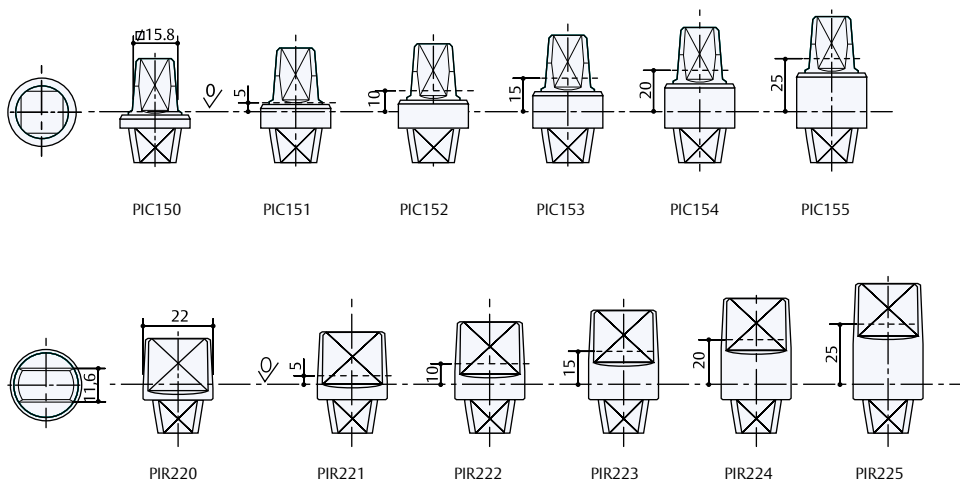


Offset arms: for single action doors



Double action doors

## Spindle for CTSU floor spring

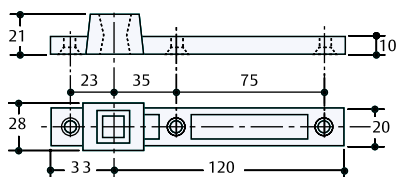


# Hinges for metal and wooden doors

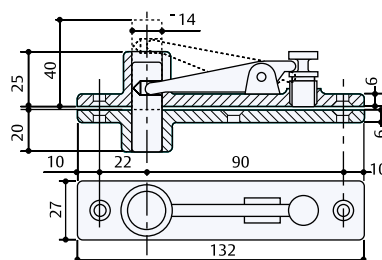
## Double action doors

The BRI300VHZ bottom arm is designed to match square spindles like PIC15.

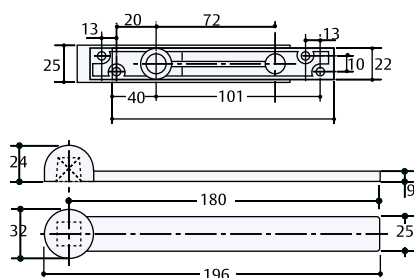
### BRI300



### BRS300



### BRI100



Model	Finish	Hand	Type	Door weight Kgs
BRI100VLT	LT	-	Bottom	100
BRS300VHZ	HZ	-	Top	300
BRI300VHZ	HZ	-	Bottom	300
PICE150	-	-	Ground pivot	120

### PICE 150 ground pivot

Intended for use without a floor spring



# Hinges for metal and wooden doors

## Offset arms

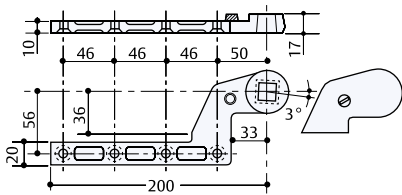
They allow full door opening (180°) for single action doors.

- » Made of high quality steel for door weight up to 300 Kg.
- » With countersunk holes for quick and easy fixing
- » Square spindle coupling for PIC15 spindles.
- » If other spindle coupling is desired, it has to be indicated when ordering.

### BRI301



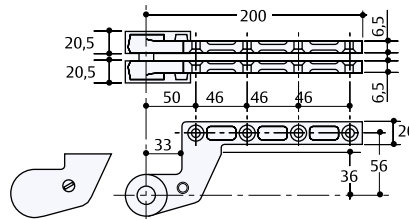
Bottom offset arm for right and left handed doors.  
Reversible, non handed. Max weight 300Kg.



### BRS301

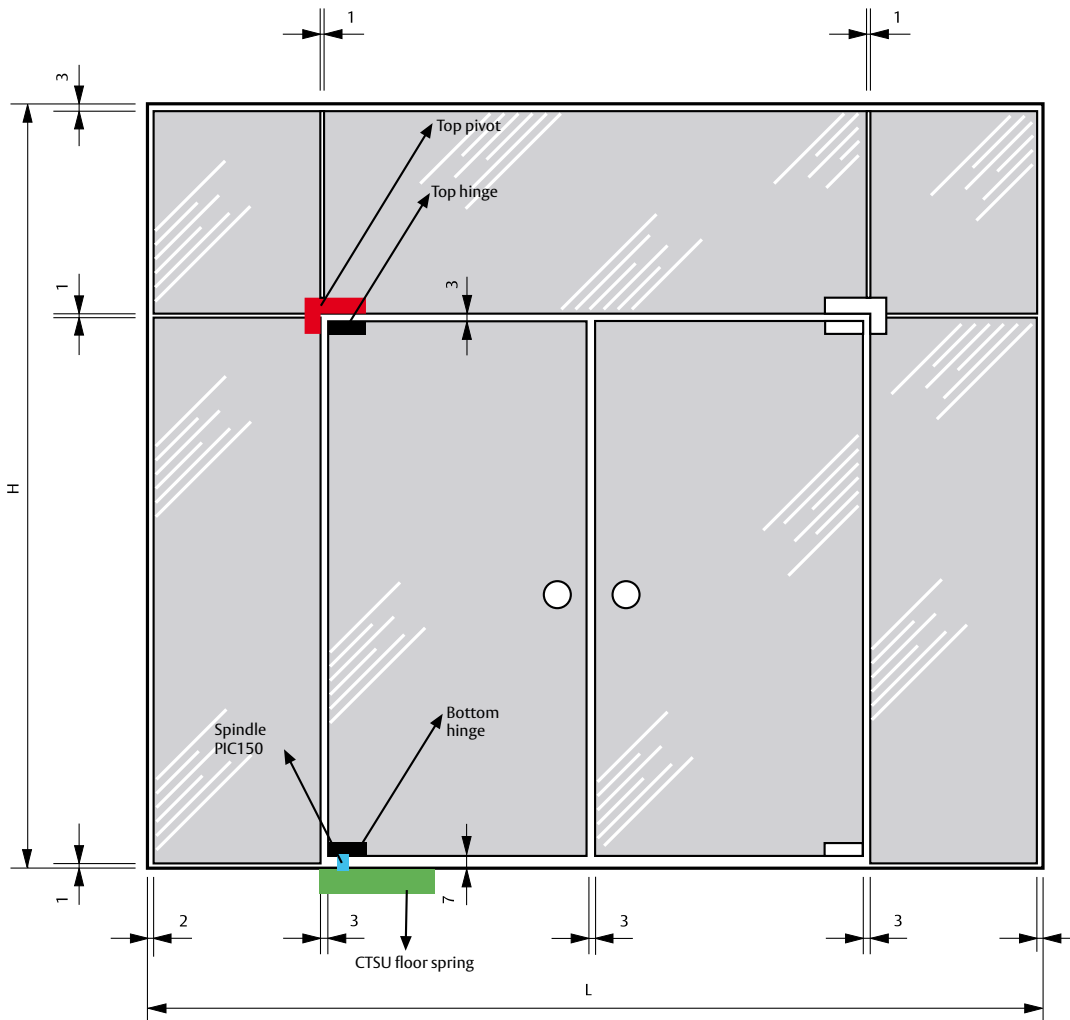


Top hinge to combine with the BRI301 arm  
Reversible, non handed. Max weight 300Kg.



Model	Finish	Hand	Type	Door weight Kgs
BRS301PL	silver	reversible	bottom	300
BRS301NE	black	reversible	bottom	300
BRI301PL	silver	reversible	top	300
BRI301NE	black	reversible	top	300

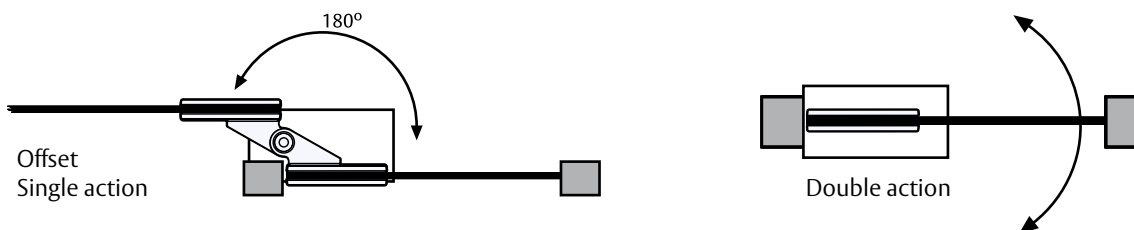
# Patch fittings for Glass Doors



Elements required in order to complete installation of glass doors

- Bottom hinge with square spindle coupling for PIC15 spindles.
- Top hinge with cylindric coupling for top pivots
- Top Pivot for frame installation. The configuration of the frame will determine which pivot type should be used.
- CTSU floor spring or PICE floor pivot

## Types of top and bottom hinges

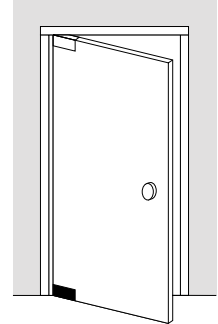
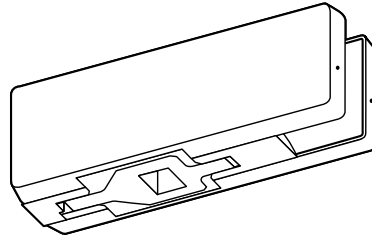


# Hinges for glass doors

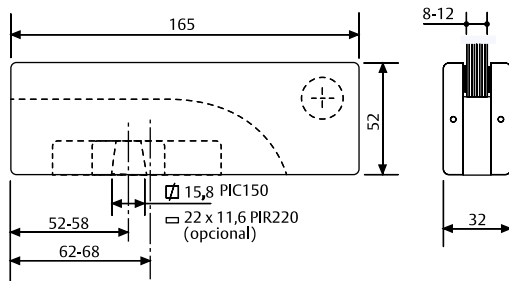
## Hinges for glass doors - double action

### BVI565V

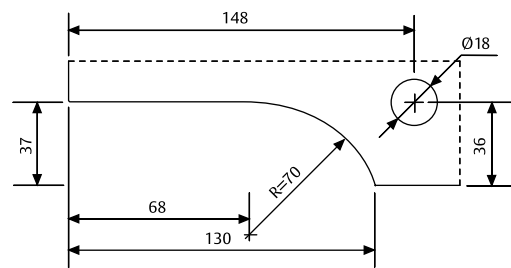
- » Bottom hinge with PIC15 spindle coupling.
- » Spindle position at 55 or 65 mm. Adjustment +/- 3 mm.
- » Optional socket for PIR22 spindles.
- » Glass thickness: from 8 to 12 mm.
- » Maximum weight: 80 kg.
- » Finishes: IB, IM.



Dimensions



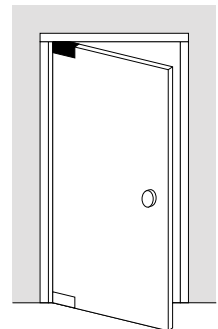
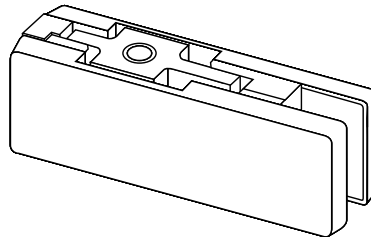
Glass machining



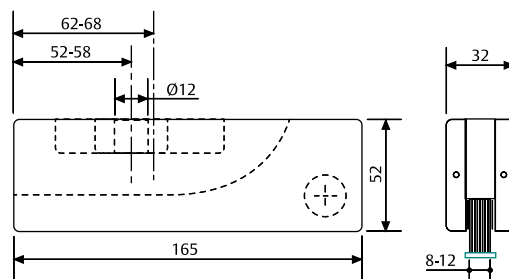
Model	Finish	Hand	Type	Door weight Kgs
BVI565VIB	Satin stainless steel	-	Bottom	80
BVI565VIM	Polished stainless steel	-	Bottom	80

### BVS565V

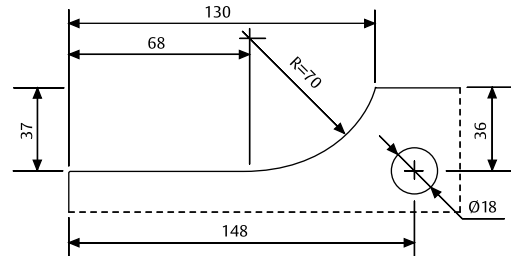
- » Top hinge for double action doors.
- » Pivot position at 55 or 65 mm, adjustment +/- 3 mm.
- » Finishes: IB, IM.



Dimensions



Glass machining



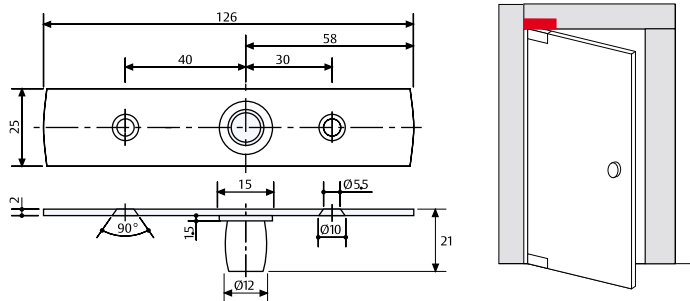
Model	Finish	Hand	Type	Door weight Kgs
BVS565VIB	Satin stainless steel	-	Top	80
BVS565VIM	Polished stainless steel	-	Top	80

# Top pivots for glass doors

## Double action pivot

### PV1565V

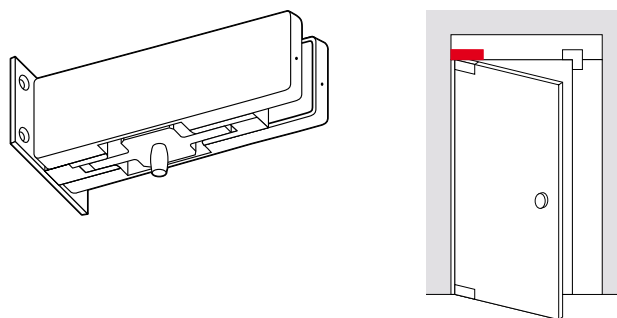
- » Type 1 top pivot.
- » Designed for BVS565V and BVS100V top hinges.
- » Finish: CB.



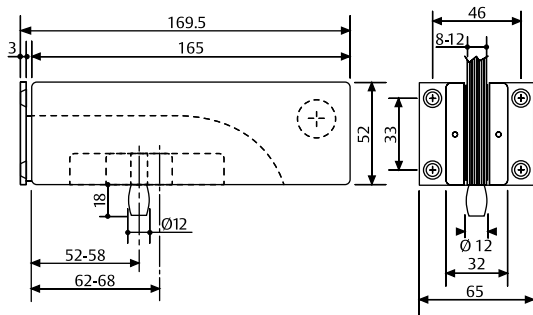
Model	Finish	Hand
PV1565VCB	bright chrome	-

### PV2565V

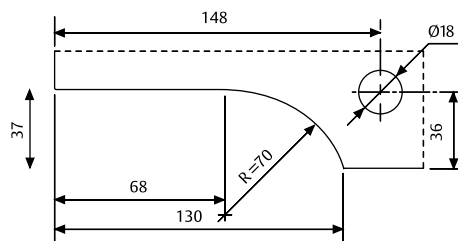
- » Type 2 top pivot with spindle position at 55mm.
- » Pivot position at 55/65 mm. Adjustment +/- 3 mm.
- » Designed for BVS565V top hinge.
- » Finishes: IB, IM.



Dimensions



Glass machining



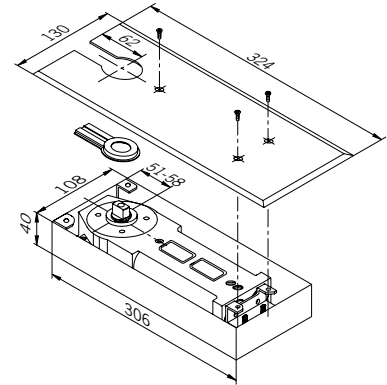
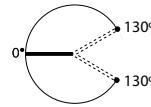
Model	Finish	Hand
PV2565VIM	Satin stainless steel	-
PV2565VIB	Polished stainless steel	-

# Floor springs

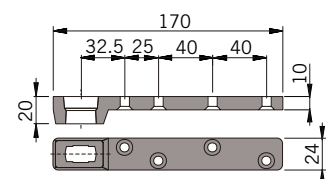
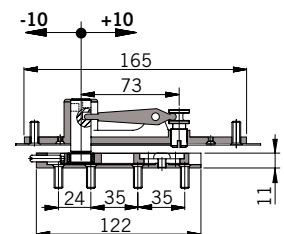
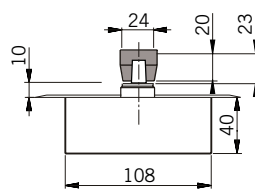
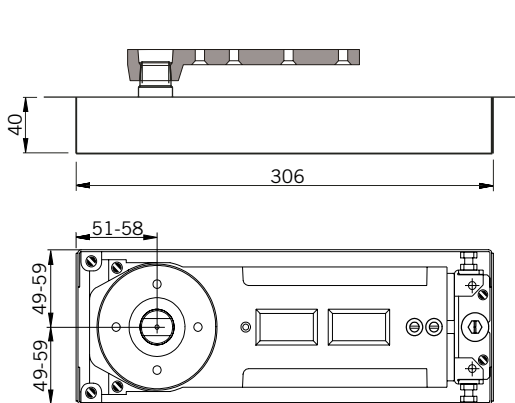
## CTSU71. Complete kit for double action doors

The CTSU71 is a floor spring which is supplied as a complete kit that includes everything necessary for wooden or metal made double action doors.

- » Three models for 3 sizes:
  - CTSU712 :EN2 Door width: 85 mm.
  - CTSU713: EN3 Door width: 95 cm.
  - CTSU714: EN4 Door width: 110 cm.
- » Independent valves for closing and latching speeds adjustment.
- » Non handed and suitable for double action doors.
- » Fixed spindle for easy installation.
- » Bottom arm supplied made of solid steel and zinc plated for corrosion resistance.
- » The bottom arm includes countersunk holes for quick and easy installation
- » The Top hinge is supplied and includes a needle bearing for superior durability
- » Top hinge with pivot throw adjustment for easy door hanging
- » The Top hinge horizontal position is adjustable (+/- 10 mm) from the door side edge of the door for even easier installation and door levelling corrections.
- » Models can be chosen for Non hold open (-SR-) or Door Hold Open function at 90° (-R0-).
- » The satin Stainless Steel cover plate is included. (IM finish)
- » Maximum door opening: 150°



Size	Model	Hold open	Finish	
2	CTSU712IM	SR	-	Satin stainless steel
2	CTSU712IM	R0	90°	Satin stainless steel
2	CTSU712IM	R5	105°	Satin stainless steel
3	CTSU713IM	SR	-	Satin stainless steel
3	CTSU713IM	R0	90°	Satin stainless steel
3	CTSU713IM	R5	105°	Satin stainless steel
4	CTSU714IM	SR	-	Satin stainless steel
4	CTSU714IM	R0	90°	Satin stainless steel
4	CTSU714IM	R5	105°	Satin stainless steel



# Door closing selector for double doors

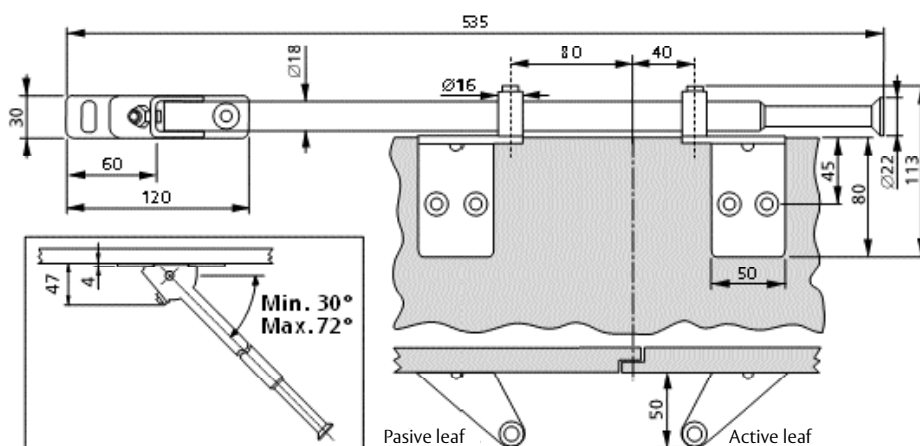
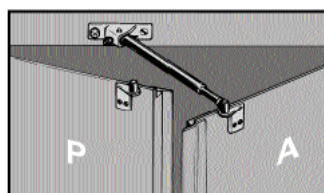
## SELTELCIER

CERTIFICADO EN 1158  
Válido RF



Zinc plated steel parts for durability and corrosion resistance.  
For active door width up to 1,60m.

Model	Active door width
SELTELCIER	Up to 1600 mm





# Obermatic door operators

## OBM505

The electromechanical swing door operator OBM505 is suitable for a wide variety of applications, thanks to its comprehensive programming options. The door operator includes a new free swing function: when using the door manually it operates lightly without the motor resistance and the door can be left in the open position when required. Supplied with an external power supply (24 VDC / 3A) OBM505 can be used in fire or emergency exit doors.

### Features

- » Precise and easy adjustment by potentiometer of:
  - Power.
  - Opening/closing speed.
  - Hold-Open time.
  - Activation of sequential mode (if desired)
- » Seal force elimination function (closing pull) before opening
- » Door hold closed force and hold-open function
- » Programmable "push and go function" as a standard option
- » Programmable "free swing function" as a standard option
- » Quick and easy installation and commissioning
- » Operation of double door without additional accessories

### Technical details

- » Cover dimensions: 85 x 07 x 595 mm, weight 6,5 kg
- » Door weight max 125 kg (link arm, door width 1000 mm)
- » Power supply 90-264 VAC, 47-63 Hz or secondary power supply 24 VDC, 3 A
- » Operation temperature: -15...+50°C
- » Non-handed

### Connectivity: All connections are potential free

#### IN

- » Opening impulse
- » Delayed opening impulse
- » Fire Alarm (Can be chosen NC or NO)
- » Safety sensor impulse
- » Door unlocked (for perfect synchronization with the lock or Panic device).

#### OUT

- » Lock control relay (NO, C, NC)
- » Voltage output for external impulse devices, safety sensors and locks. 12 VDC, 1 A

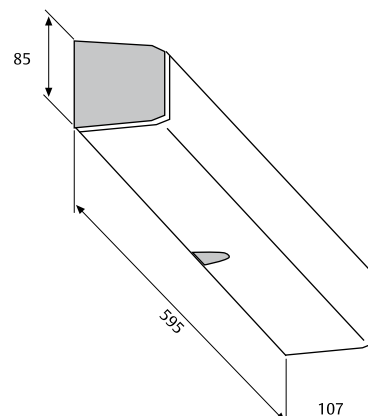
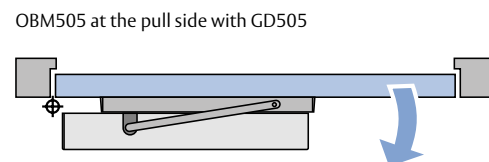
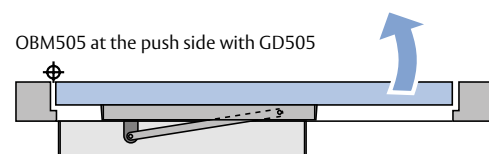
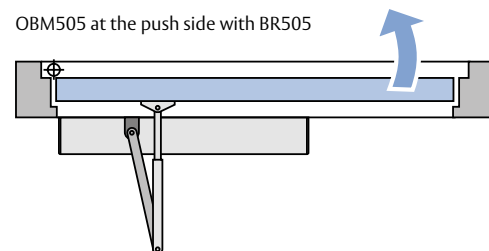
Model	Finish	Description
OBM505	PL	Obermatic Operator OBM505
PLACA505	NE	Mounting plate OBM505 black
BR505BL	White	Regular arm
BR505PL	Silver	Regular arm
GD505BL	White	Sliding guide
GD505PL	Silver	Sliding guide



OBM505 with arm BR505



OBM505 with guide GD505



# Obermatic accesories

## Montion sensors

Motion sensors give an opening impulse to Obermatic.

Model	Description
DETECMOVUD	Motion sensor

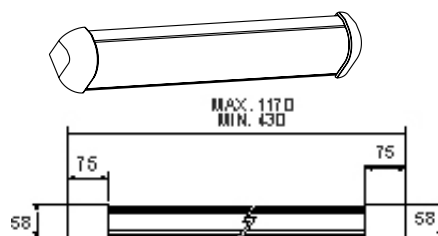


## Safety sensor

They send an impulse immediatly to Obermatic to Stop the door movement if an object or person is detected in the parth of the door.

The safety sensors are installed on the top of the door, on one side or both.

Model	Description
SENSEGINTE	Indoor safety sensor
SENSEGEXT	Outdoor safety sensor



TM1S - TM1E

## Synchronizer

This device has two input signals and two output. The delay and hold time of output signals can be controlled through potentiometers.

Model	Description
OBMSINC	Synchronizer







---

## **ASSA ABLOY**

Talleres de Escoriaza, S.A.U.  
Barrio Ventas, 35 • E-20305 Irun • SPAIN  
Tel.: +34 943 669 100 • Fax: +34 943 622 189  
[www.tesa.es](http://www.tesa.es)

ASSA ABLOY is the global leader in door opening solutions,  
dedicated to satisfying end-user needs for security, safety and convenience