

# Reduced contact opening solutions

TESA

ASSA ABLOY

[www.tesa.es](http://www.tesa.es)

Experience a safer  
and more open world



# Locking solutions to minimise door contact.



In a public space, doors and door hardware are one of the most commonly touched surfaces. Cleaning and disinfecting all door hardware frequently is the most effective way to prevent germ transmission. We are seeing the emergence of new innovations that respond to the need of ways to open and close doors without having to use our hands, through minimal contact or contactless openings.

## Solutions

### 1. Automation systems

OBERMATIC OBM505 Door operator .....	2
ENTR® Smart Lock .....	4
TCP single-point electric strike .....	6
TMB Motorized multipoint lock.....	7
226M Motorized multi-point lock .....	8

### 2. Mechanical systems

Roller locks.....	9
Door closers with Cam-Motion® technology .....	10
Door accessories.....	11
Foot door opener .....	12

### 3. Antimicrobial hardware

Antimicrobial handle.....	14
---------------------------	----

### 4. Access control

Openow® .....	16
---------------	----

# OBERMATIC OBM505 door operator

The OBM 505 operator, compatible with any type of door, offers total digital control over the entire door opening and closing path, as well as the most complete connectivity, making it possible to operate in different ways, all without having to use our hands to push or pull the door.

**ACTIVATION DEVICES:**

Devices that send a signal to the operator to initiate an opening cycle, such as motion detectors, elbow buttons, switches, numeric keypads or wall readers.



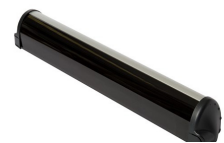
Motion detectors



Elbow button

**SAFETY DEVICES:**

They are installed on the door leaf and send a signal to the operator to stop the door if it detects any obstacle or person in its path.



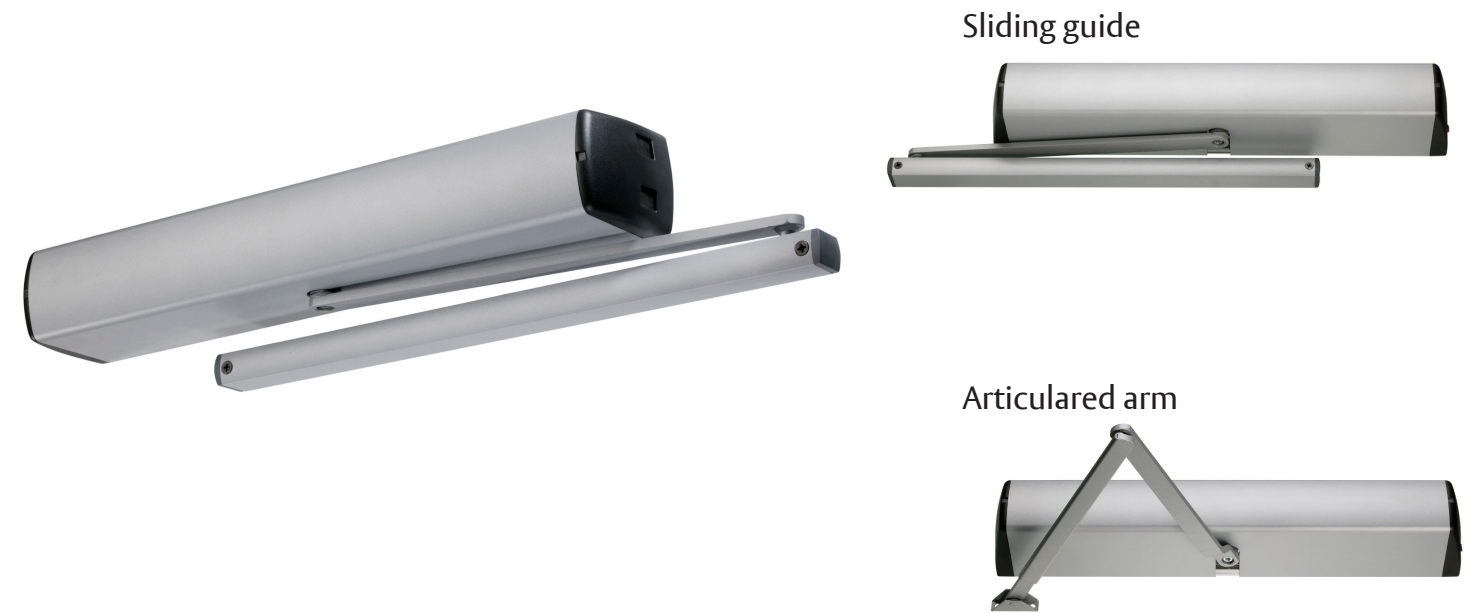
Safety sensor

### Essential elements for OBM505 door operator:

- OBM505PL Door operator OBM505, silver
- PLACA505NE Installation plate, black.
- BR505PL Articulated arm, silver.
- GD505PL Sliding guide, silver.
- SENSEGINT Internal safety sensor.
- SENSEGEXT External safety sensor.

### Hands Free accessories:

- DETECMOVUD Motion detector
- DA021 Motion detector
- DA033 Elbow button



Sliding guide

Articulated arm



\*TESA ASSA ABLOY does not perform product installation, start-up, or maintenance. We recommend installation by qualified electrical personnel and do not accept returns or credits for malfunctions or breakdowns that are related to improper installation.

## Automation systems

# ENTR® Smart Lock

For a residential property, the best solution to avoid hand contact with the door is the ENTR Smart Lock.

This lock automates the entrance door and allows you to open it from the outside by simply pushing it after operating the lock with a remote control or a mobile app.

The lock has the ability to link up to 20 different remote controls and up to 20 users in the ENTR app.

The installation is very simple. Simply replace the existing cylinder with the ENTR Smart Lock, in just about 5 minutes.

In addition, the security level of your home will increase, as the lock bolts are projected when the door is closed.

To find out how compatible your door is with the ENTR smart lock, check out the [www-tesa-entr.com](http://www-tesa-entr.com).



# TCP single-point electric strike

The TCP electromechanical lock, ideal for its use on entrance doors and for automating doors, is a combination of an automatic lock and an electric strike.

The striker, installed in the door frame, is the element to be wired, thus avoiding having to wire the door leaf.

When the striker receives the opening signal, the closing point is removed, so that it would be enough to push the door with the body to open it, without using your hands.

When the door is closed, the trigger is activated, and the safety lever is projected automatically. The door will always be closed, without the need for a key.



## References:

Model	Backset (E*)	Depth (C*)
TCP20	20mm	34mm
TCP25	25mm	39mm
TCP30	30mm	44mm
TCP35	35mm	49mm
TCP40	40mm	54mm
TCP50	50mm	64mm
TCP30	60mm	74mm
TCPCER		

\* Strike plate only

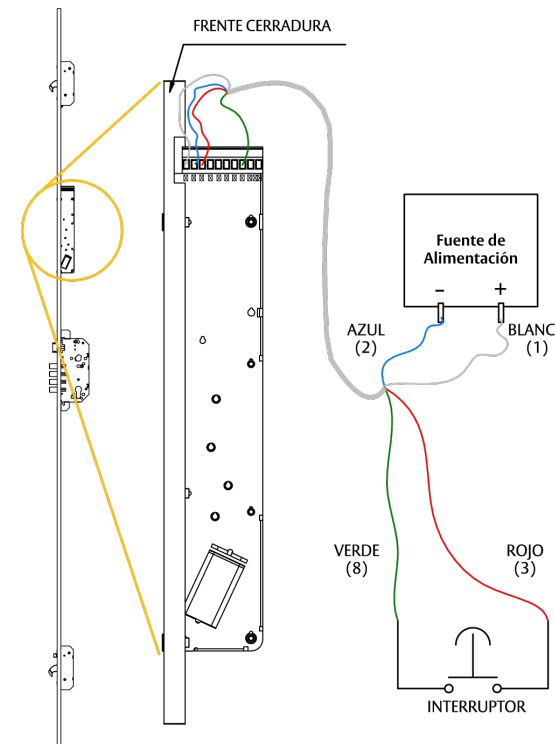
# TMB Motorized multi-poin lock

The TMB motorized lock with 3 locking points, allows to activate the opening of the door from the outside by means of an electric signal (dual key, proximity card, remote control, etc...), automatically removing the latch and the high and low points, thus avoiding touching the hardware of the door to open it.

In addition, TMB offers automatic closure of the high and low points by means of anti-leverage hooks: the door is always protected by the high and low points, as well as by the latch.

The central point, with 4 anti-saw bolts, can be locked as additional security. This would disable the possibility of opening with the remote control.

In the event of a power failure, the cylinder lock can always be opened/locked mechanically.



## References:

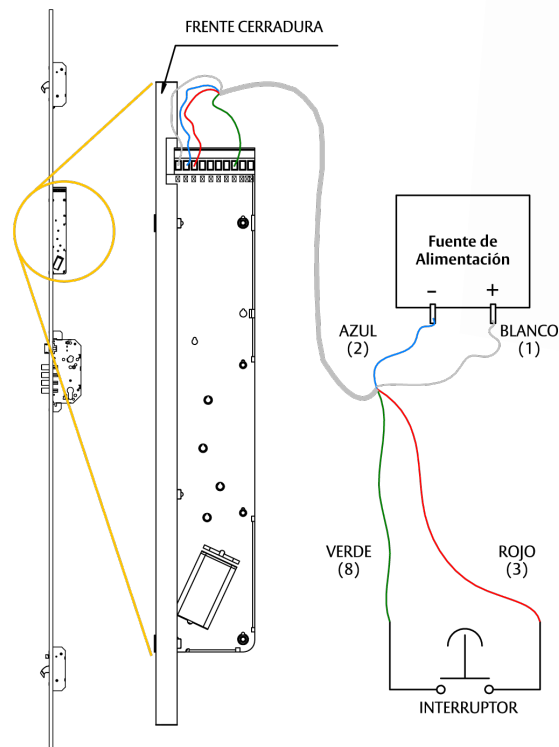
Reference	Cylinder	mm.	Finish	Strike plate
TMB3566LAI	T60	60	AI	40
TMB3566LC	T60	60	AC	40
TMB3566LE	T60	60	AE	40
TMB3567LAI	T60	70	AI	40
TMB3567LC	T60	70	AC	40
TMB3567LE	T60	70	AE	40

# 226M Morotized multi-point lock

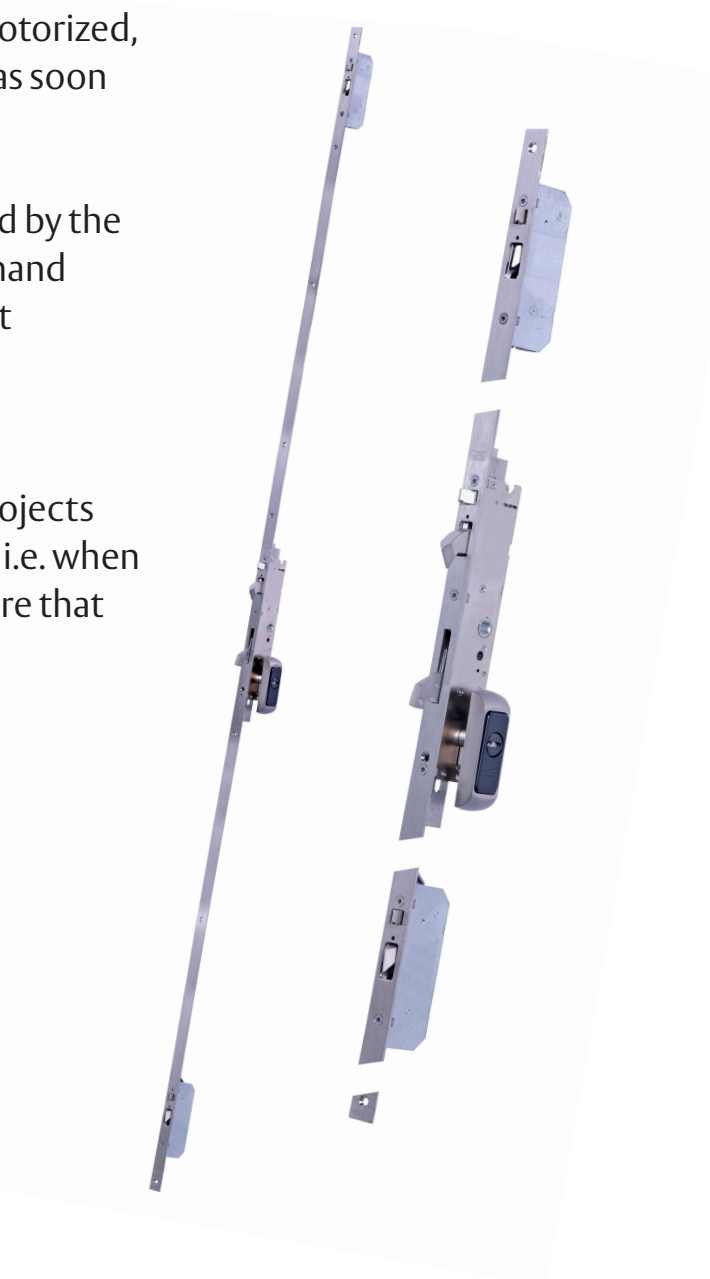
The 226M lock is a multipoint lock that consists of 3 automatic hooks and a reinforced hook. As it is motorized, the lock removes the 3 automatic locking points as soon as it receives an electrical signal.

The reinforced security hook can only be operated by the cylinder. Therefore, whenever you want to avoid hand contact with the door, the cylinder should be kept unlocked in order to operate the lock with the 3 automatic hooks only.

Like the TCP and TMB locks, the 226M lock also projects the hooks automatically when the door is closed, i.e. when the triggers are operated, so you can always be sure that the door is closed.



**Reference: 426M305AI**  
Stainless steel finish



# Roller locks

Roller locks are also the ideal solution for reducing hand contact with the door hardware.

In case of swing doors, roller locks offer the possibility to open the door by simply pushing it in both directions. For more conventional doors, push in with the body and pull out with the help of the hands.

Within this category, we find different options depending on the type of door in which we want to install the lock.



## References:

Wooden mortise lock	2036
Single-point metal locks	2226 - 2206 - 2216 - 2218 - 2218E - 2216E - 2218BE - 2216BE - 2246 - 2246BE
Multipoint metal locks	2236 - 2236L - 2236P - 2236LE - 2236PE
Single point security locks	R206B - R206N
Optional: TLB multipoint security lock with roller	

# Door closers with Cam-Motion® technology and sliding guide

Door closers are the ideal mechanical devices to ensure the door closes without the need to push the door.

Each and every TESA door closer has a minimum of two valves for hydraulic control of the closing sequence, along with the possibility of adapting the closing force to the dimensions and peculiarities of each door.

The DC500 and DC700 door closers stand out from all the other models available, since thanks to their symmetrical cam mechanism, they achieve the highest accessibility requirements without losing any of the features of the door's closing force and control.



## DC500

- » Symmetrical cam mechanism.
- » One single reference for all assemblies thanks to the symmetrical cam mechanism.
- » Adjustable force EN1 to 4 according to EN 1154. Suitable for doors up to 1100mm wide.
- » Control of closing speed and final stroke by means of independent valves.
- » Adjustable opening brake as standard.
- » Height-adjustable shaft with 14mm adjustment.

## DC700

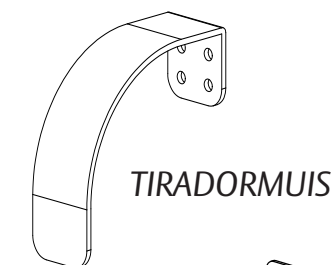
- » Symmetrical cam mechanism.
- » One single reference for all assemblies thanks to the symmetrical cam mechanism.
- » Adjustable force from EN3 to 6 according to EN 1154 Suitable for doors up to 1400mm wide.
- » Control of closing speed and final stroke by means of independent valves.
- » Adjustable opening brake as standard.
- » Height-adjustable shaft with 14mm adjustment.

# Door accessories

Arm pulls are easy and cost-effective options for hands-free door operation in new and pre-existing aluminum, metal or wood openings, such as entrances, corridors and restrooms.

## TIRADORMUIS arm pull

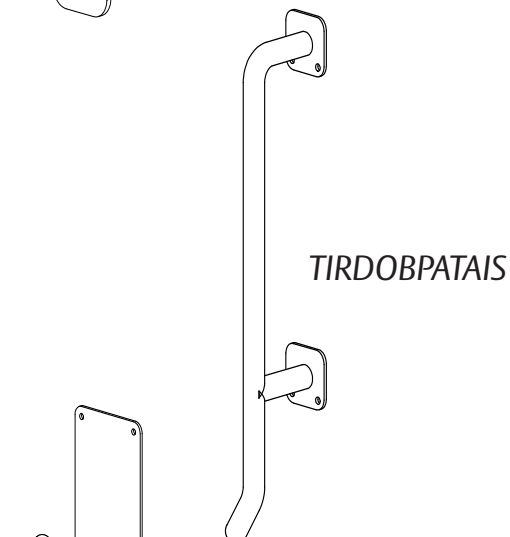
The TIRADORMUIS can be mounted above a pre-existing door pull for a quick hands-free addition, or can be used independently.



TIRADORMUIS

## TIRDOBPATAIS arm pull

This comfortable TIRDOBPATAIS pull can be used the traditional way by pulling on the grip, or, an arm can be hooked underneath, for a no-touch solution.

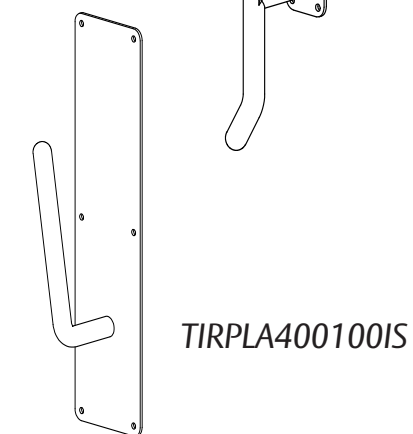


TIRDOBPATAIS

Finish: Satin stainless steel

## TIRPLA400100IS arm pull

Featuring rounded corners on the backplate, the groove on the inside of the TIRPLA4001IS pull comfortably accepts your arm to open the door.



TIRPLA400100IS

Finish: Satin stainless steel

## PISADORIS foot pull

The PISADORIS can be used with two different movements.

1. Place your foot on the top grip and pull the door open.
2. Put your toe underneath and pull the door towards you.



PISADORIS



## Mechanical systems

# Foot door opener PISADORMAN Coming soon

This new foot door opener can open practically all types of leaf doors: standing on the foot handle pulls the latch down and the opened door can simply be pushed or pulled open with the foot, so as to avoid touching the handle with your hands.

The installation is easy and no previous knowledge is required. The entire process takes less than five minutes and can be carried out with the tool provided. The installation set includes the material for the front and rear side of a door. The intelligent clamping mechanism and the reliable bonding technology make installation even easier. In addition, if desired, it can be removed without leaving a trace or damaging the door.

The kit contains two units for installation on both the inside and outside of the door leaf.

Have a look at the video [here](#).





# Antimicrobial handle

for an architecture that cares about people

The microorganisms present around us represent a threat in hospitals, children's and geriatric environments, etc.

TESA ASSA ABLOY has developed a range of antimicrobial handles and panic bars specifically designed for these environments. They have a bactericidal power of 95% against organisms such as Staphylococcus aureus, Eschevichia coli, Pseudomonas aeruginosa, Enterococcus hirae and Candida albicans, the most common group of bacteria in hospitals and geriatric homes.

Laboratories and agencies that certify the antimicrobial properties of our handles::

- Tecnia Research & Innovation, San Sebastián
- Universidad de Pavía, Italia
- Law laboratories Ltd., Birmingham
- Instituto Sabater, Barcelona
- Laboratorio Chelab, Italia
- Universidad de Navarra, Pamplona

Complies with: ISO 22196:2011 / JIS Z 2801:2000

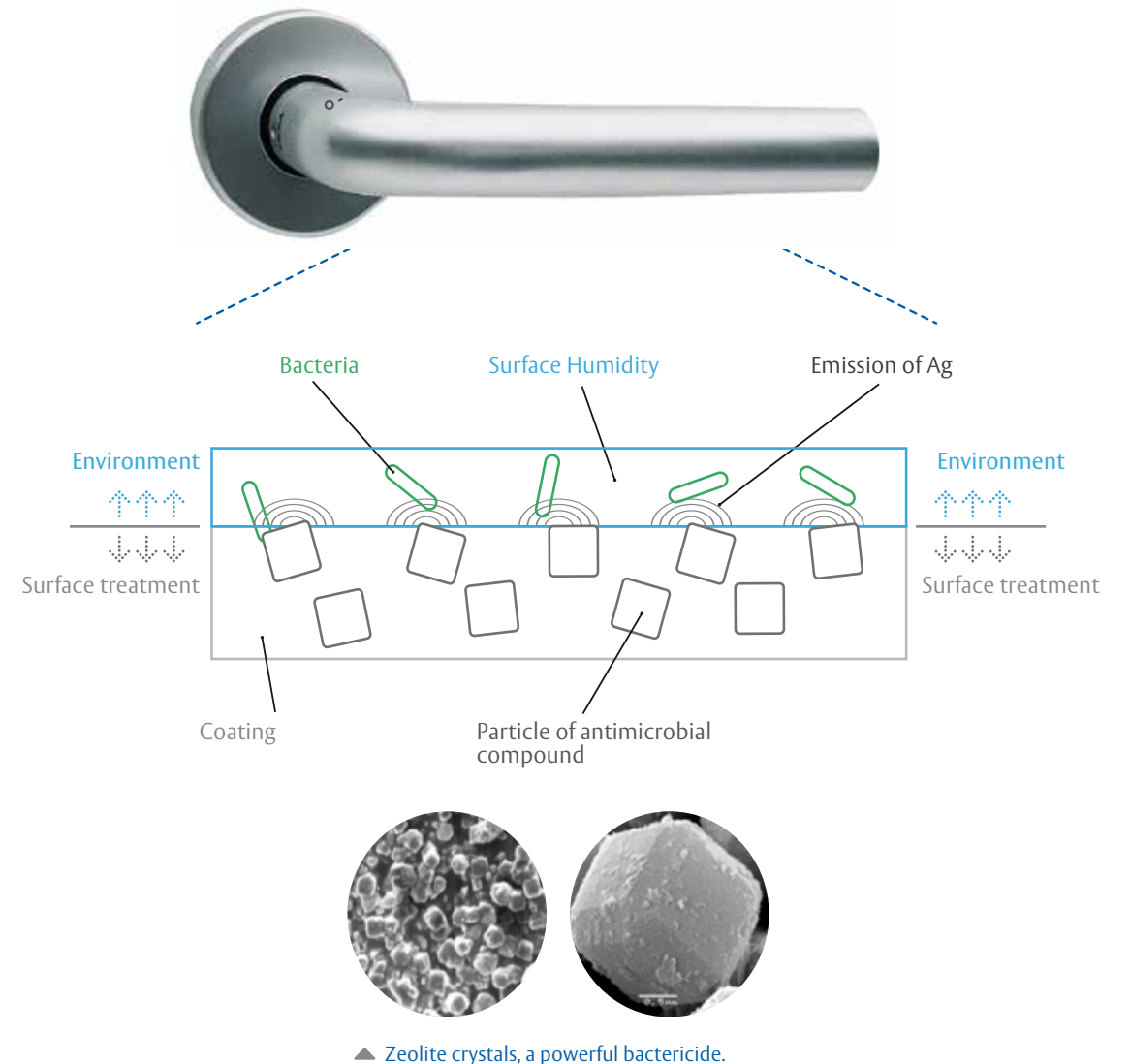
## Antimicrobial Range

HANDLES		PULLS	
Vector	MV5R800AM	Standard length: 300	TSR300AM
Sena	MS5R800AM	Other available sizes: 400, 500, 800, 1150	TSC300AM
Tundra	MTU5R800AM		TSOB300AM
Xara	MX5R800AM		TSRL300AM
Sector	MSE5R800AM		TSKU300AM
Zafira	MZ5R800AM	KEYHOLES	
Cubo	MC5R800AM	Rounded	MBORBOMAM
Sena plate handle (215x45)	MS0L885AM	Square	MKUBORBOMAM
SQUARE PLATE (180x180)	MS5C800AM	THUMB TURN	
PULL-PUSH PLATE	TSRPLE100400AM	Rounded	MBOREMEAM
		Square	MKUBOREMEAM
		UNIVERSAL PANIC EXIT DEVICE	



## How does it work?

The silver ion and zeolite coating on TESA ASSA ABLOY's antimicrobial handles releases the silver ions gradually, acting on the bactericidal strains by dismantling their metabolism and inhibiting their cell division.



## Control de accesos

# App Openow®

Una App que permite abrir puertas con el teléfono móvil.

From contactless to less contact.

The new measures will lead us to promote, as far as possible, the Less contact: the minimization of the contact between people and between people and objects of daily use.

The response that OPENOW offers to this new situation - which, according to all forecasts, will last for a long time - is ideal, facilitating less contact between people and people and objects. In fact, keys and cards are now a thing of the past. Thanks to the OPENOW app, users will be able to access meeting rooms, hotel rooms and other facilities to which they are entitled, via their smartphones using Bluetooth® Low Energy technology.

Facility managers can remotely send, revoke and update virtual keys from anywhere with the management software. And additionally, they can update the users' access plan, collect all the opening history and set up e-mail alerts using user apps.



The ASSA ABLOY Group is the global leader in access solutions. Every day we help people feel safe, secure and experience a more open world.



**ASSA ABLOY**

Barrio Ventas, 35  
20305 Irún  
Guipúzcoa  
España

[www.tesa.es](http://www.tesa.es)  
943 66 91 00